

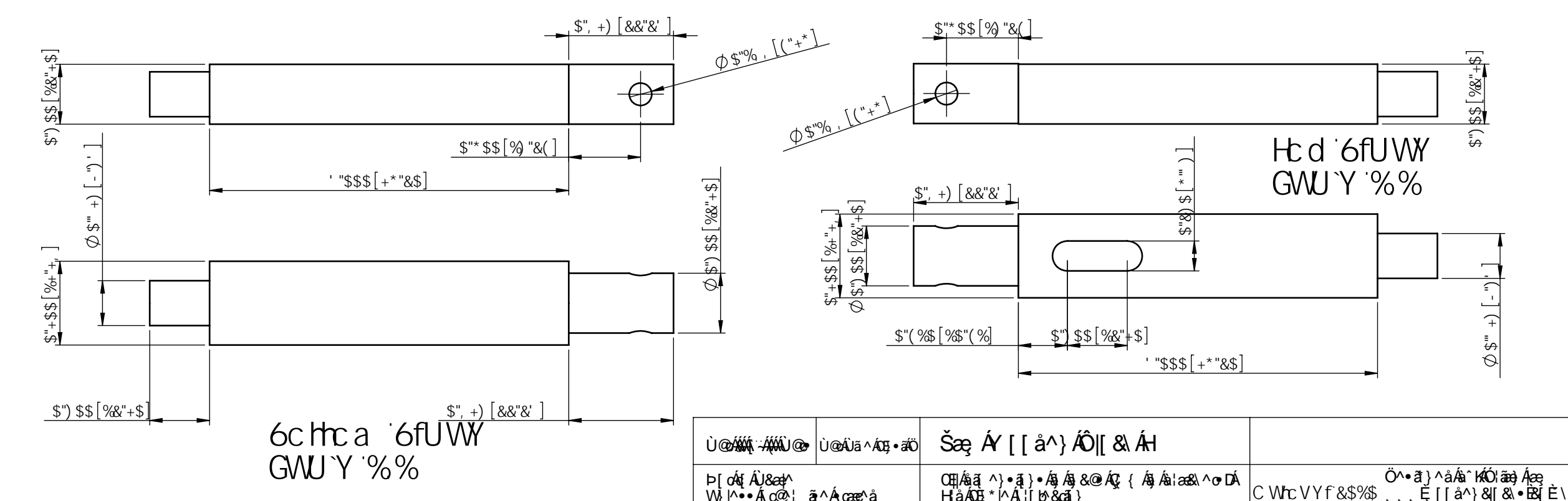
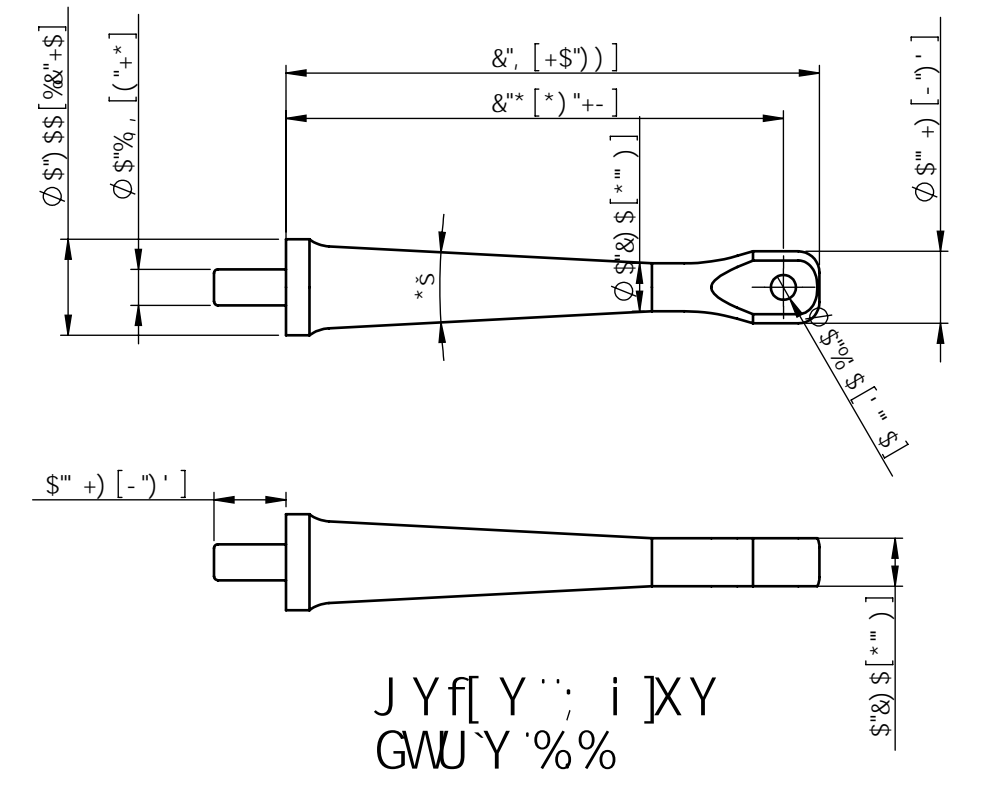
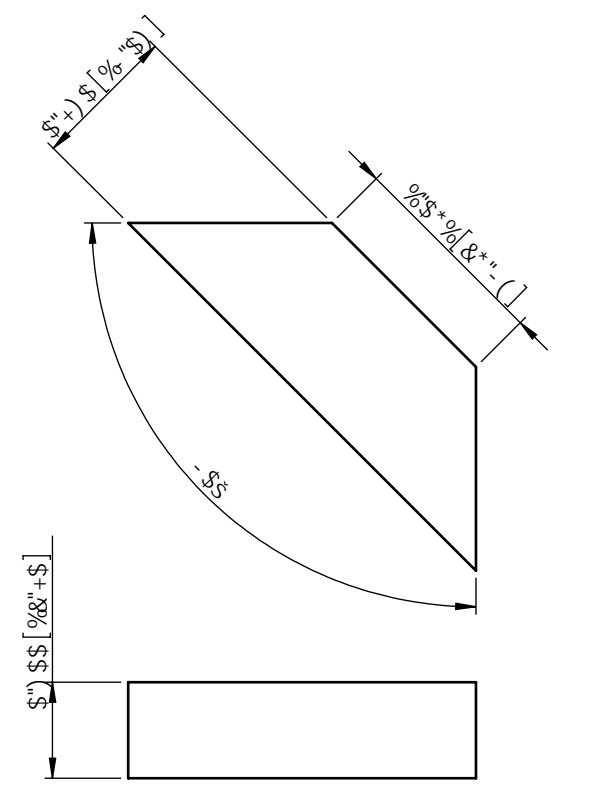
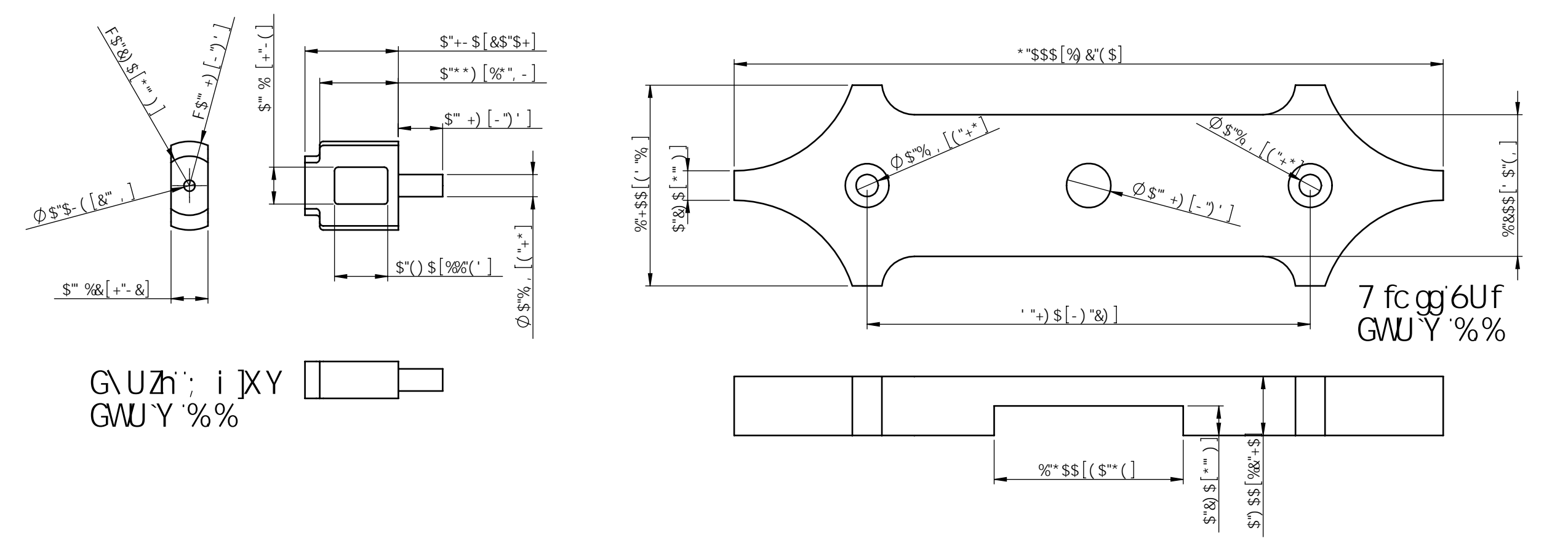
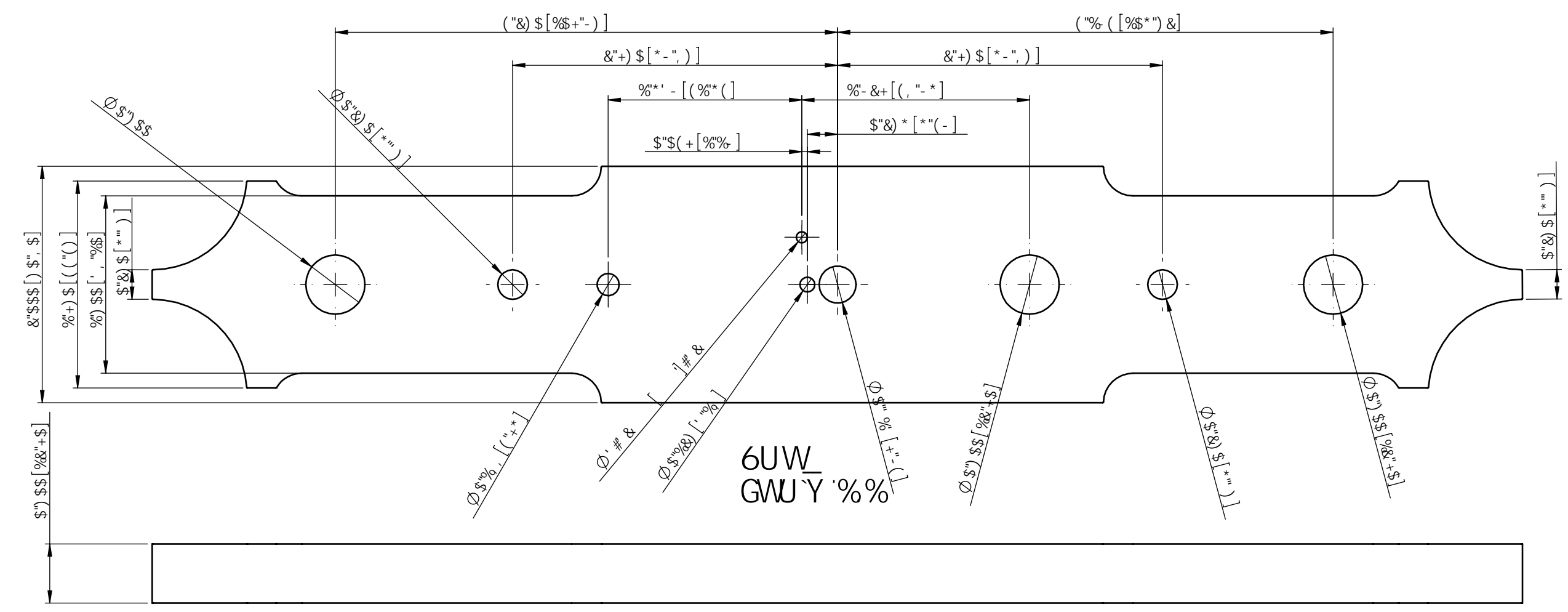
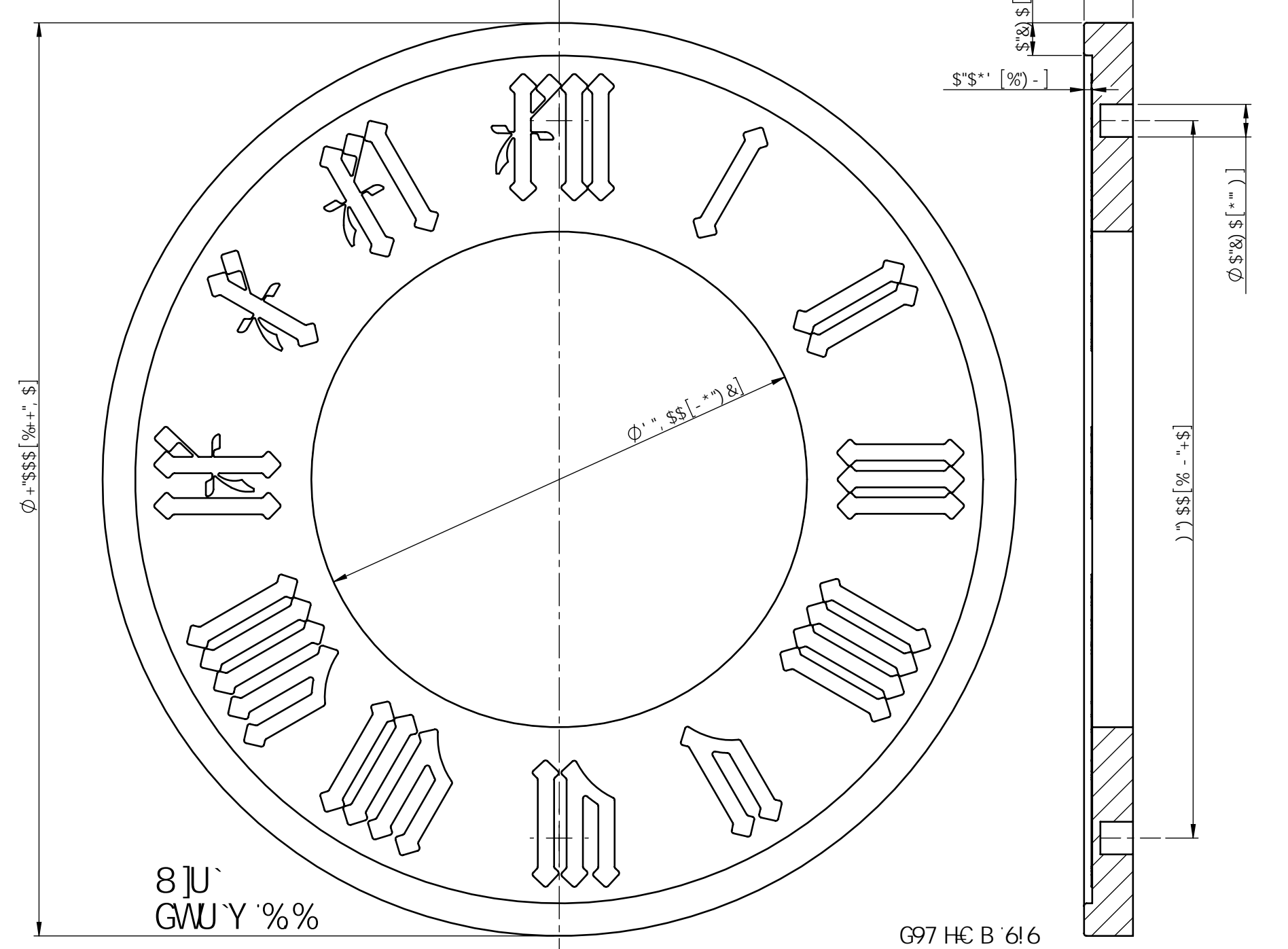
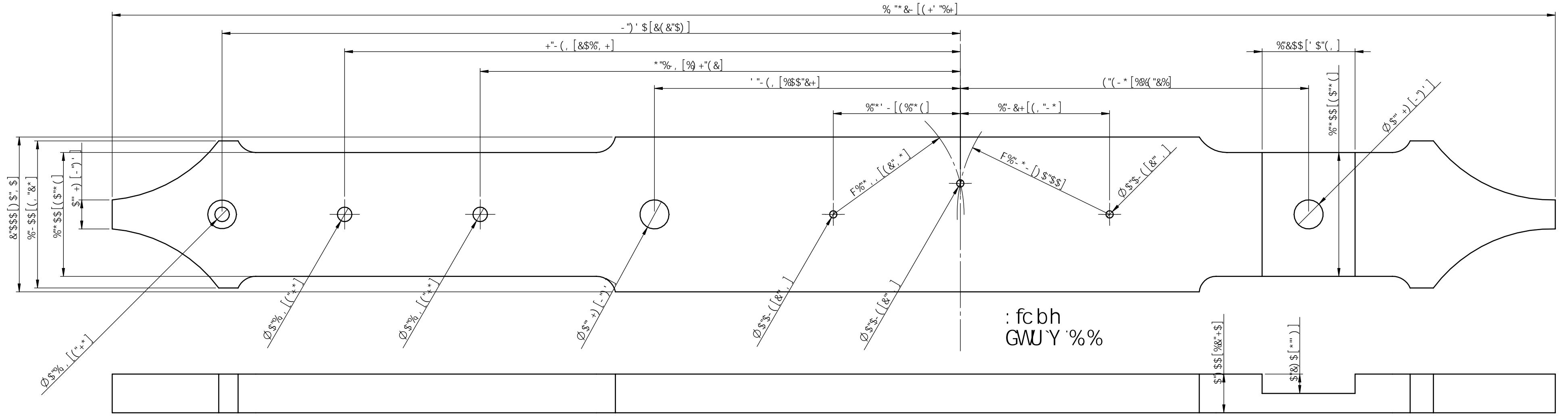
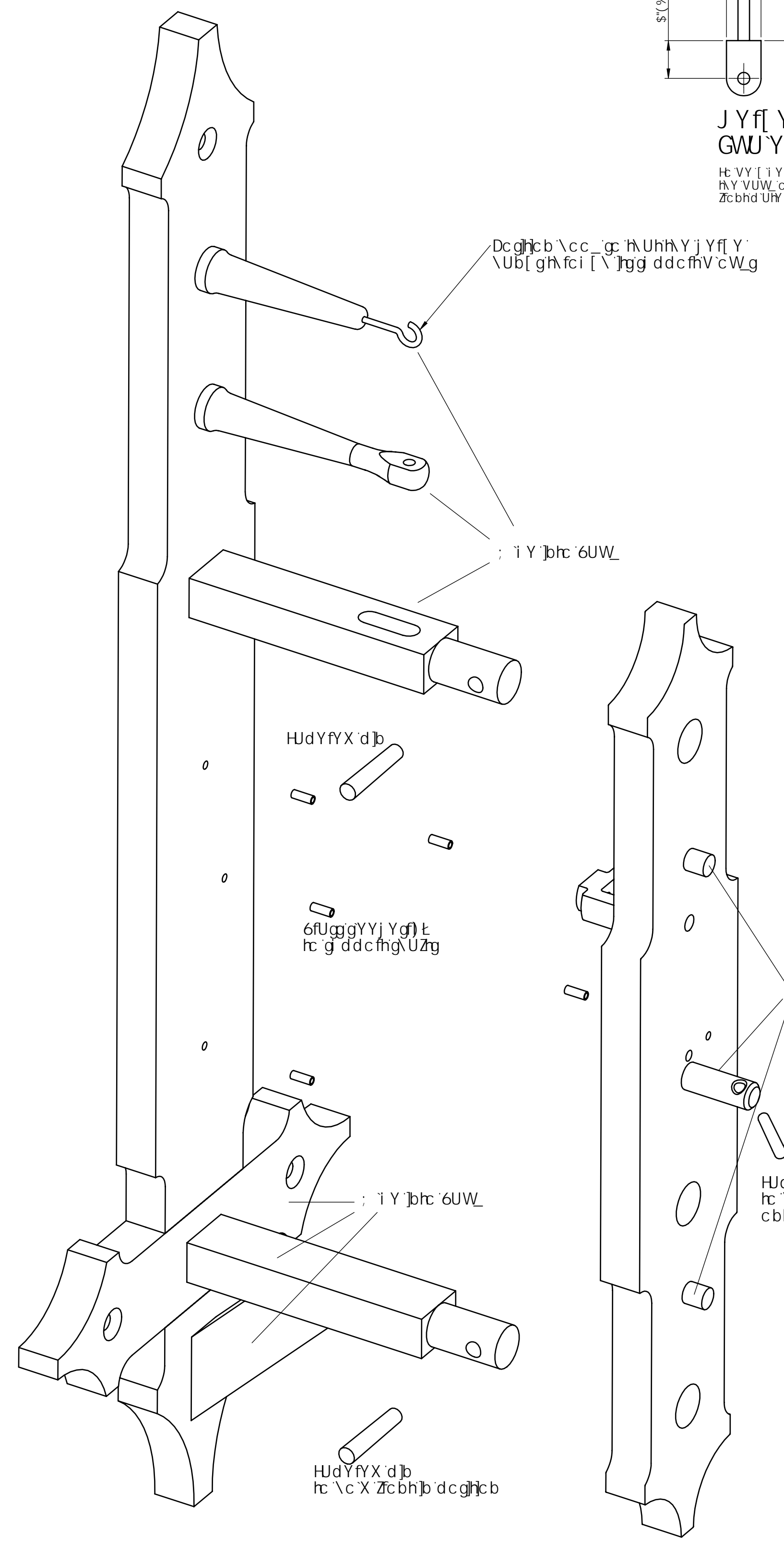
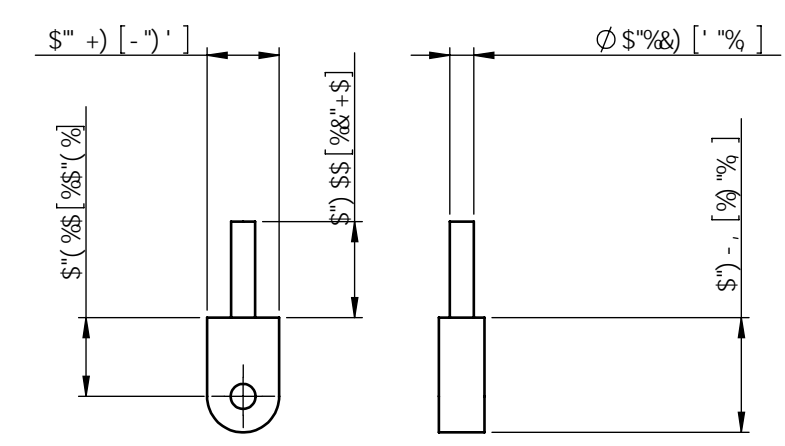
#PA BC "	D5FHBI A 69F	8 9G7 F DHC B	8YJJI "H# E HM
%	6UW		%
&	: fcbh		%
'	7 fcggVUf		%
(9gWdY k \YY'	G V 5gg/a Vm	%
)	8fj Y k \YY'	G V 5gg/a Vm	%
*	fh'fa YUXJH' k \YY'	G V 5gg/a Vm	%
+	DY[) #%' 8JUa YHf1 %' "	%
,	Hd VFUW	cb[zWcggXf' YX %# "	%
-	JYf' Y gj ddcfh		%
%\$	7 c fX	Bm'c b 6fUJYX Wc fX "	%
%&	GYj Y zc f(, H	< %#%' "	%
%&	<UbX		%
%	: YUfk Jh (, H'YH		%
%(&	6cHca VFUW		%
%&	FcdY	Bm'c b 6fUJYX Wc fX "	%
%'	Fj[A YH' Fb[' % "	%
%+	Dj zc f \UbX	%# "XJU1 '\$+' "	%
%	JYf' Y		%
%	8JU'		%
&\$	7 c fX <Ub[Yf		%
&%	<cc_	%#%' "FcX VYbhtc "	%
&&	G UZhG ddcfh	gUdY	%
&'	8JU[cbU' 6fUW		%
&(&	8JU' djb	%#("XJU1"+) "cb[%
&)	HdYfYX Dj	Hc Zh' #%' "XJU' c Y	%
&*	JYf' Y [i X Y		%
&+	: c]chk Y [\h		%
&.	: c]chk Y [\h]pg'f'h	6fUgg	%
&-	: c]c'h		%
' \$	6fUggYj Y	6fUggYj Y <' # &'] "	%
' %	@Jf' Y k Y [\h	7Ughc b 7 cWk Y [\h%) Vg "	%
' &	Ga U' k Y [\h	7Ughc b 7 cWk Y [\h%) Vg "	%

5' c h Y f d U f t g a U X Y z c a ' k c X z h d Y U h h Y X i j W Y H c b c z h Y V i j X Y f

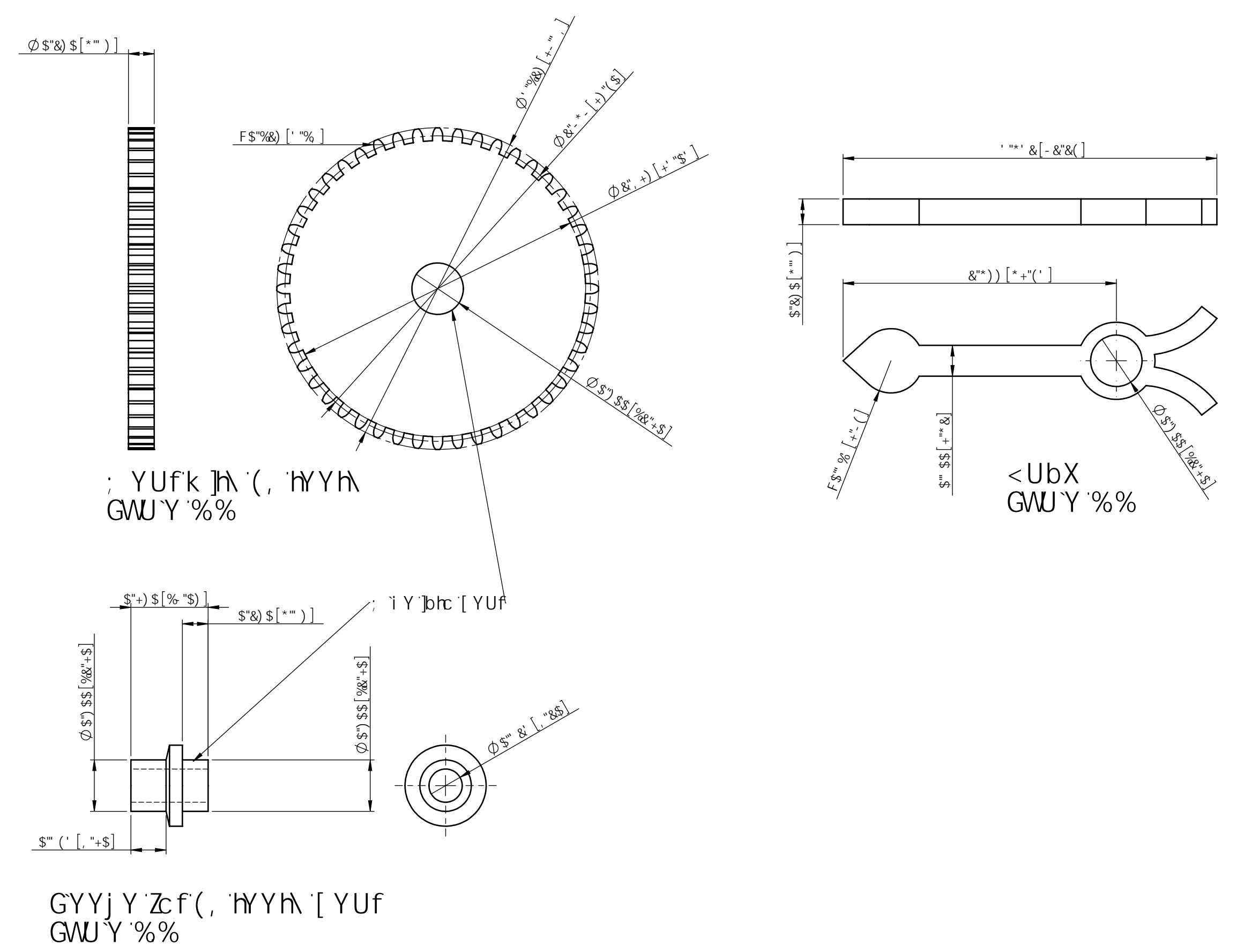
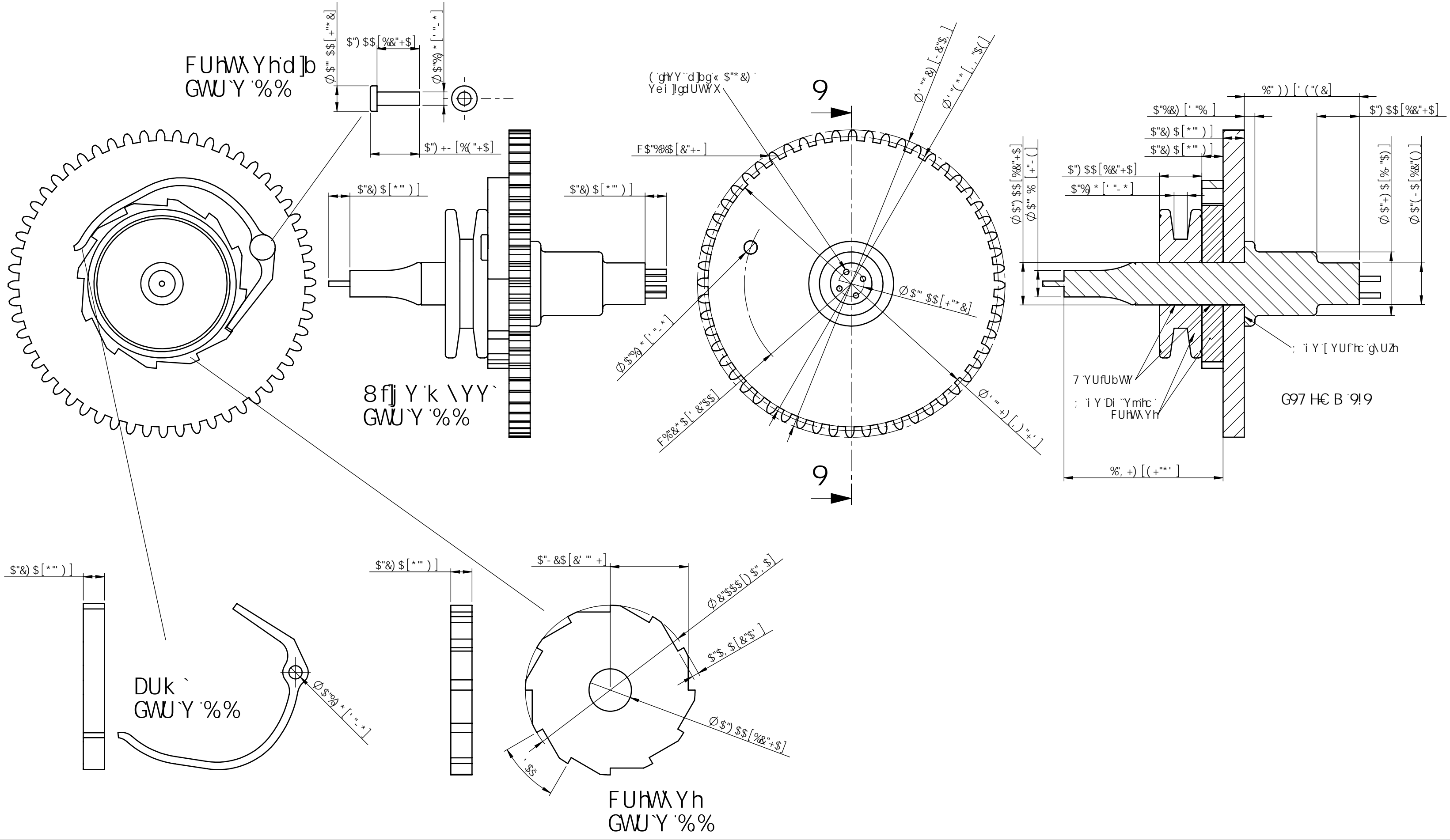
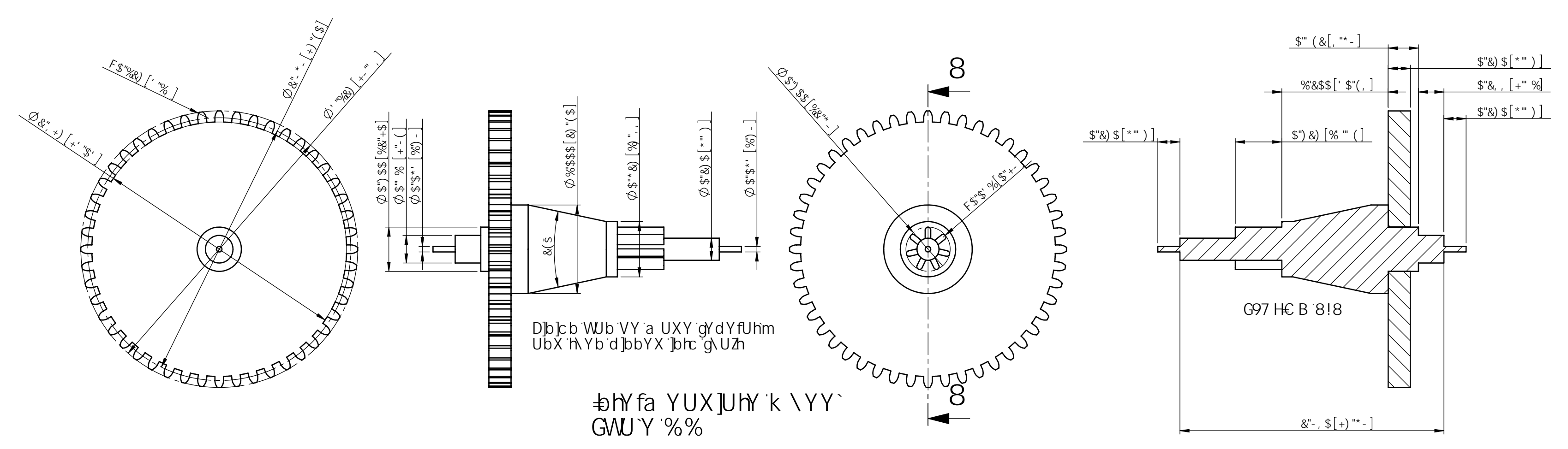
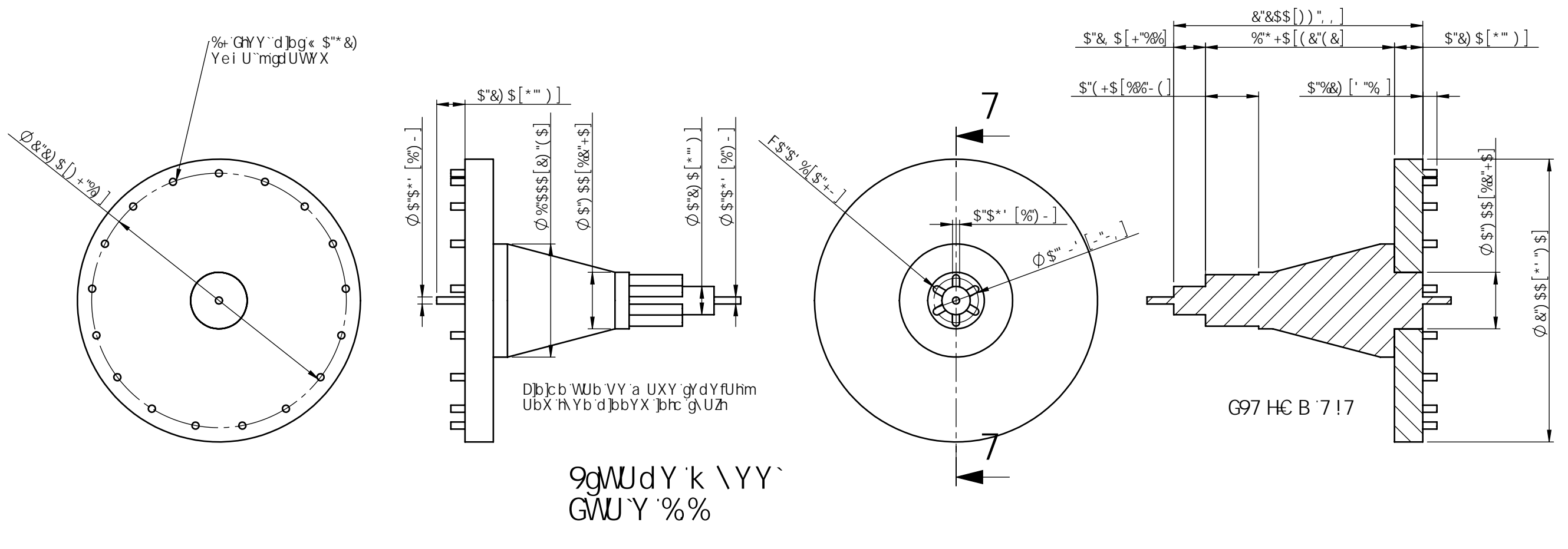
G97 HC B : I:
H.fci [\ 7 YbhY @pY

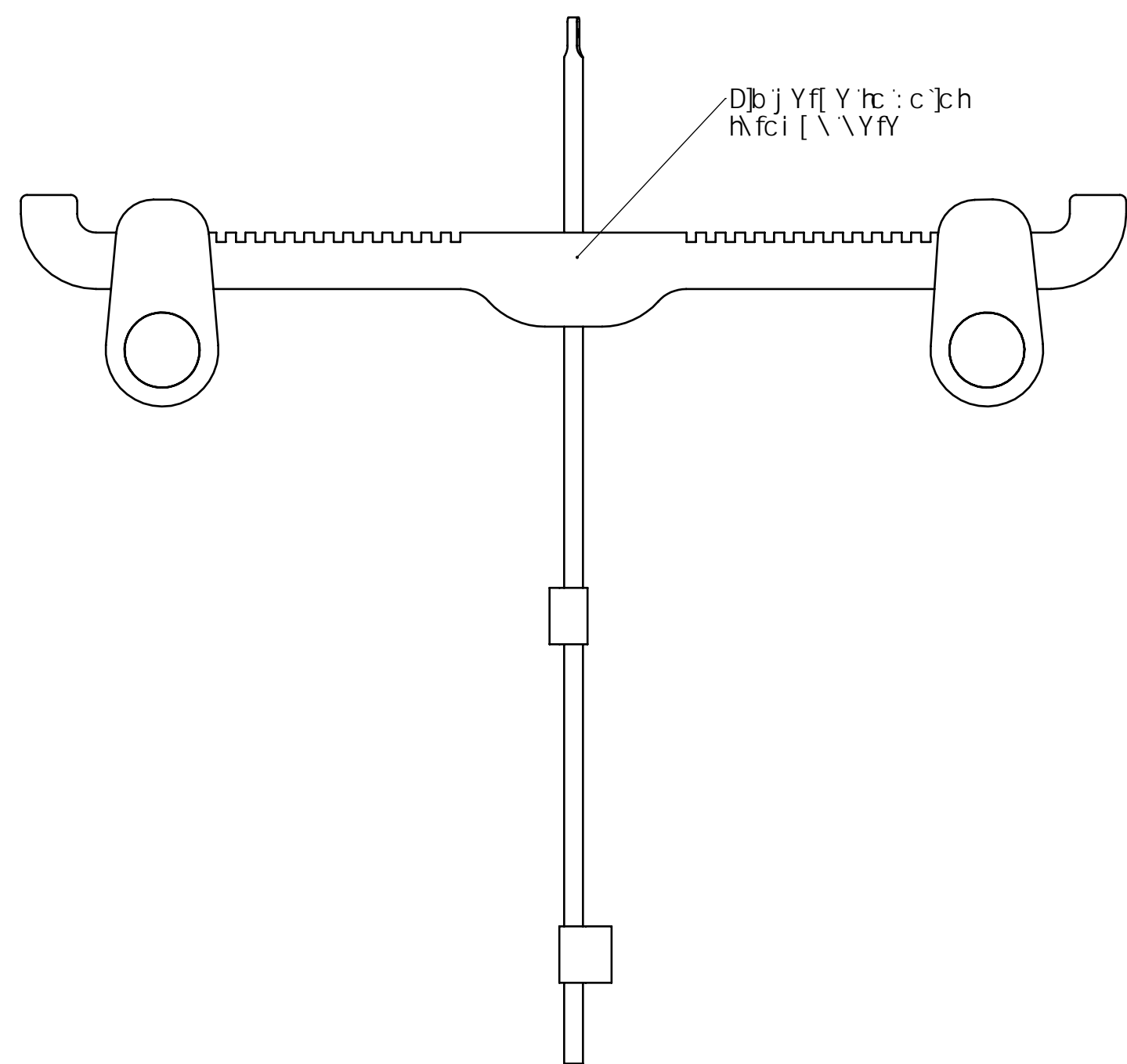
U @ # A U @	U @ U a ^ A g ^ a @	S e q A ' [[a ^ A O] [& A H
D [d h A] s e t	C [h e q ^) ^ s] ^ h e q s e t (h e q s e t ^ o D [d h A] s e t	O ^ s] ^ a h ^ M O d h A e
W [^ o A c e i , a ^ A c e a	H a A h ^ A [D & q]	C W c V Y f & s % s . . . E [[a ^] & [d h A]

B6" 8fj" U" HAY U] \b| \c Yg| b AY ZcbhUbX VUW_d UH Yg
 k H AY k c d UH Yg f Udd YX f c| YH YP
 8fj" UH AY g U Yg X f g n y Z f h Ub X H Y b c d Y b c i h t c W c f f Y V h g h Y
 k \ Y b d U H Y g U Y g r d Y f U H X "

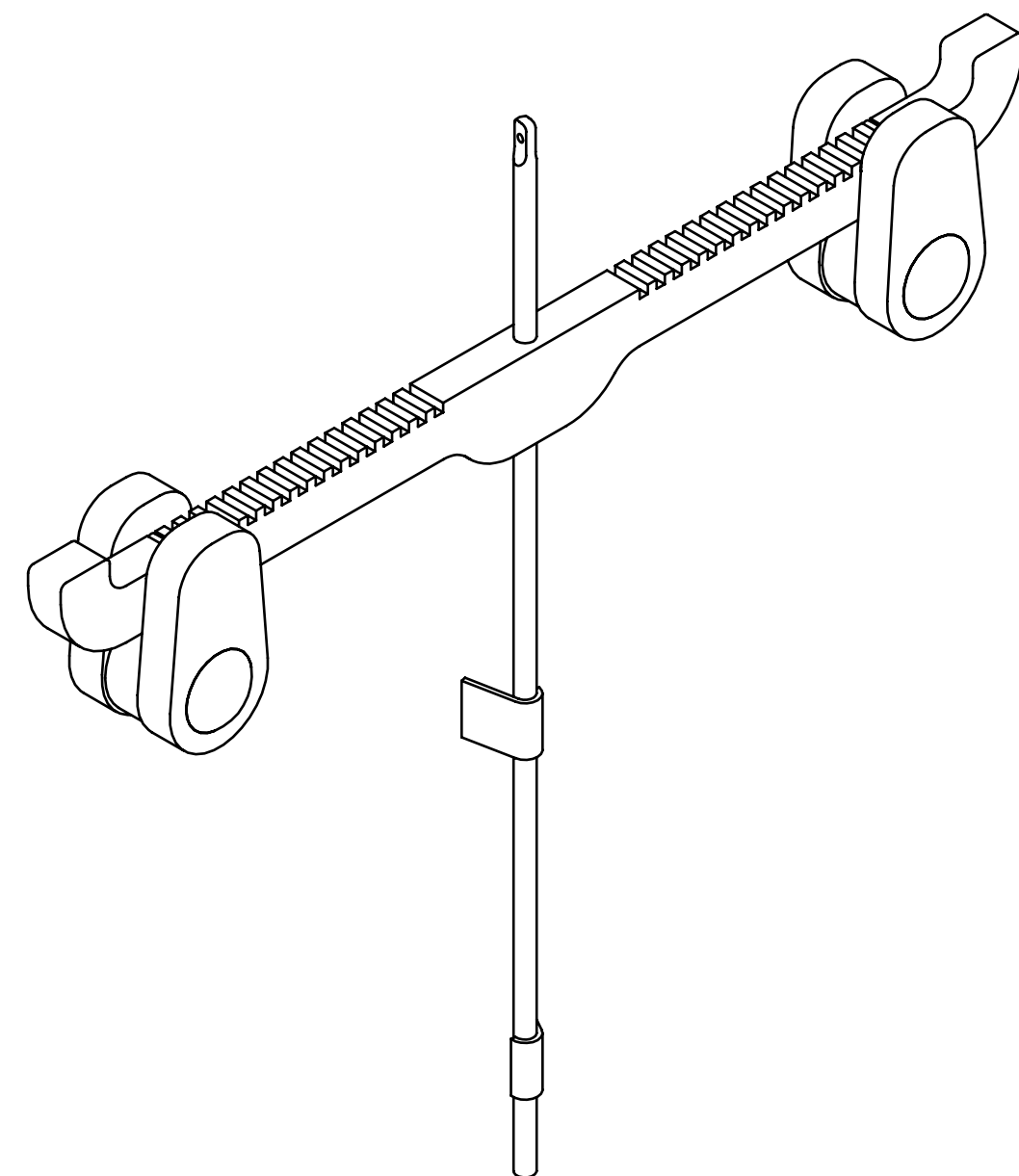
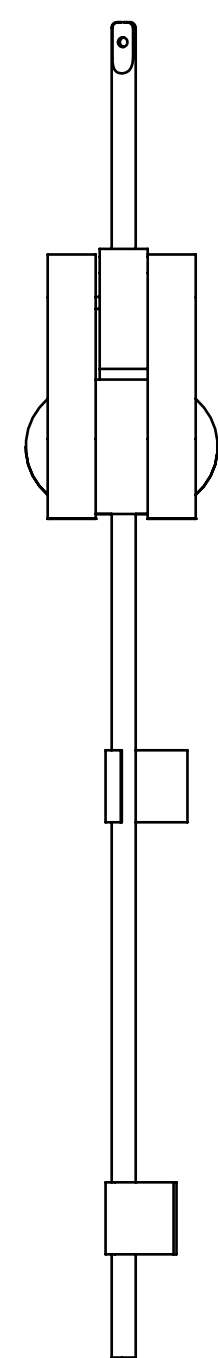


U @ A A A @	U @ A A A @	S e q A ' [[a ^] A O [& A H	
W ' A A c e i , a ^ A c e a		H a A h ' A A [b & c]	C W h c V Y f & S % S . . . E [[a ^] Q [& A H E v

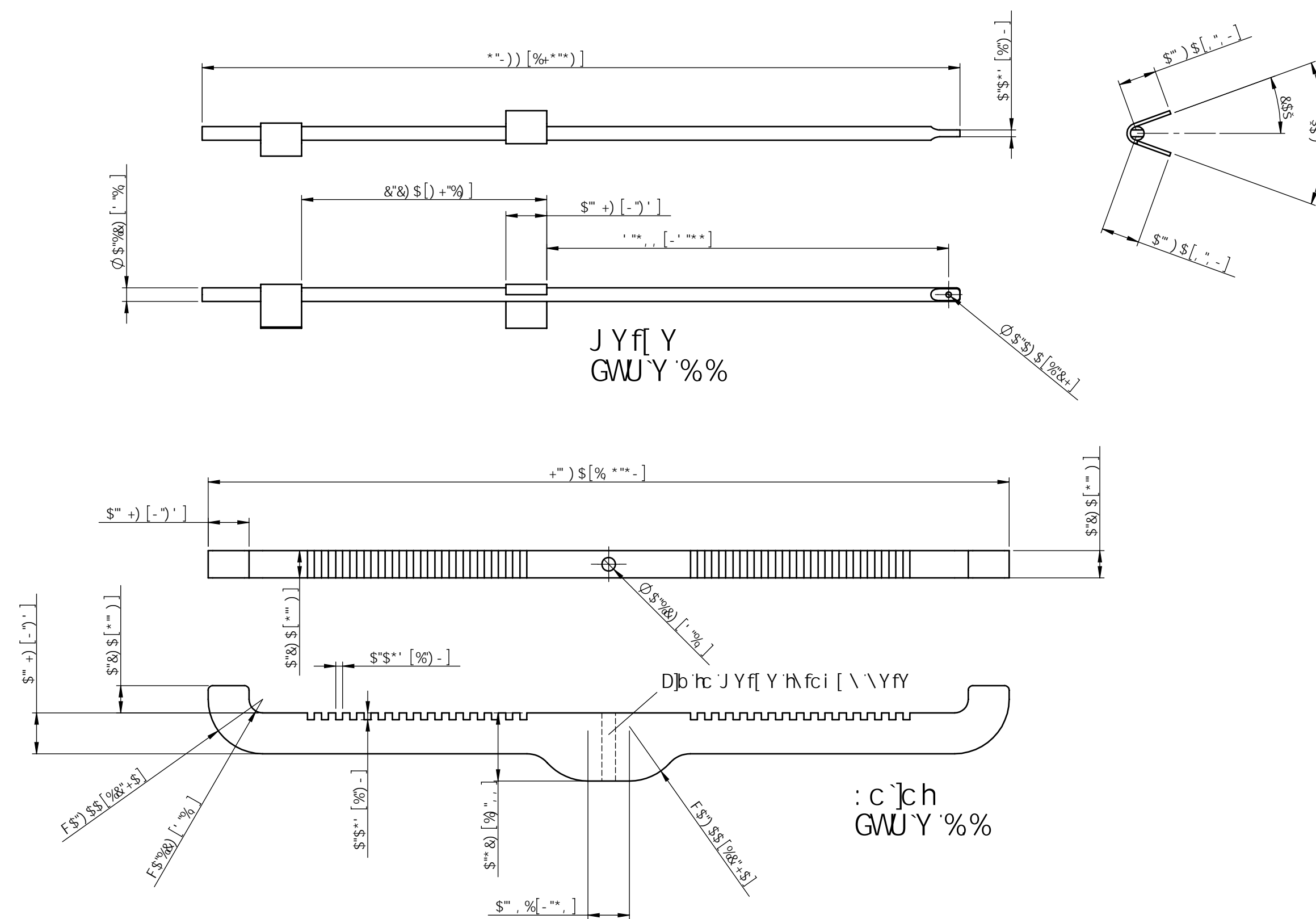




Dp j Yf[Y 'tc : c]ch
h\rci [\ \YfY

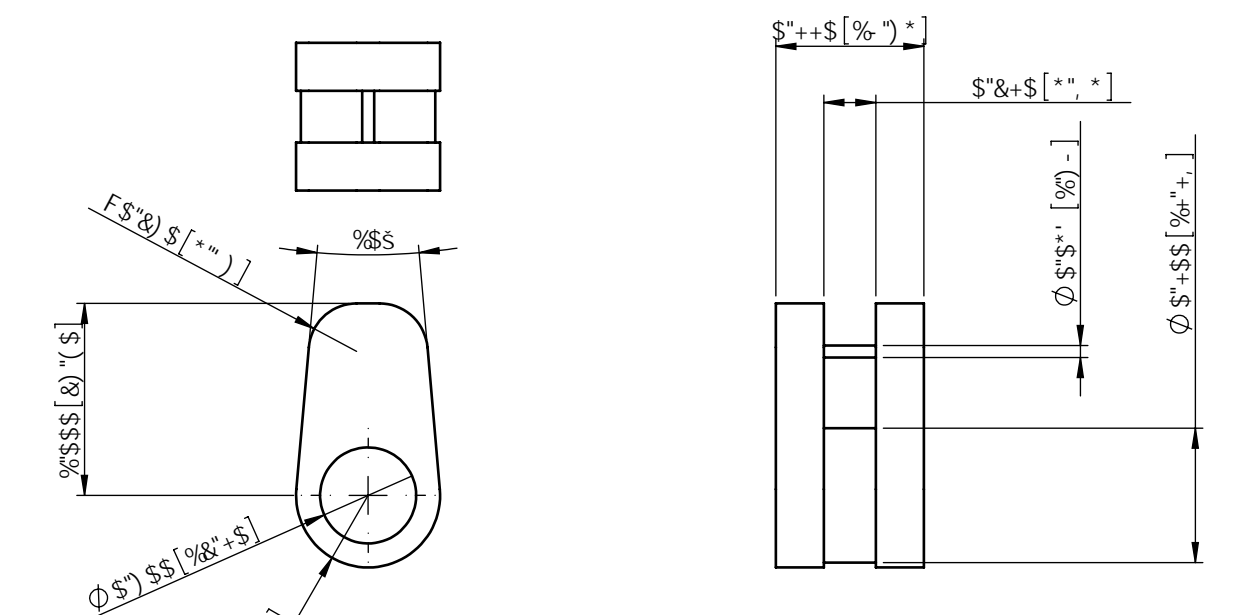


J Yf[Y 'UbX : c]ch'9gWUdYa Ybh

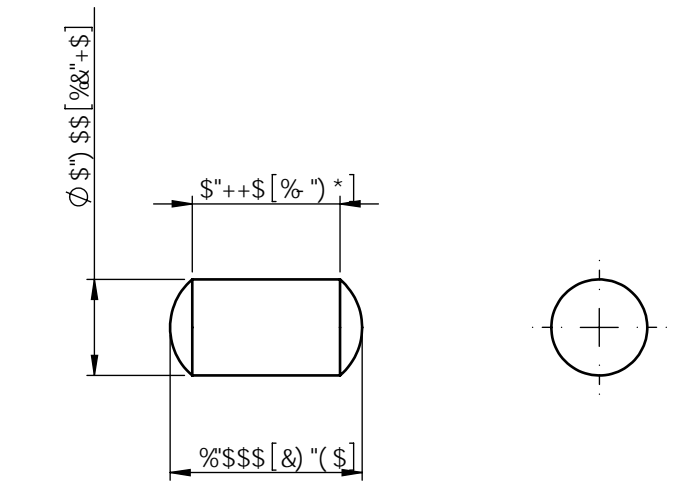


J Yf[Y
GWU'Y %%

: c]ch
GWU'Y %%



: c]chK Y [\ h & fVe i] fYX
GWU'Y %%



: c]chK Y [\ h & fVe i] fYX
GWU'Y %%

U@## #W@	U@Ua^Aq^#0	Šeq Á [[á^) ÁÖ [& ÁH	
P[ch Á] & e^ W[^ a^ a^ e^ i, a^ A^ a^ e^ a	Q[h & q ^) q] ^ h & q e ^ e ^ e (h & q a e ^ o^ D H & q e ^ ^ A [] b & q [O^ a] ^ a^ h^ M^ O^ q^ h^ e^ C^ W^ t^ V^ Y^ f^ & S^ % S^ . . . E [[á^) & [& e^ E^ \	