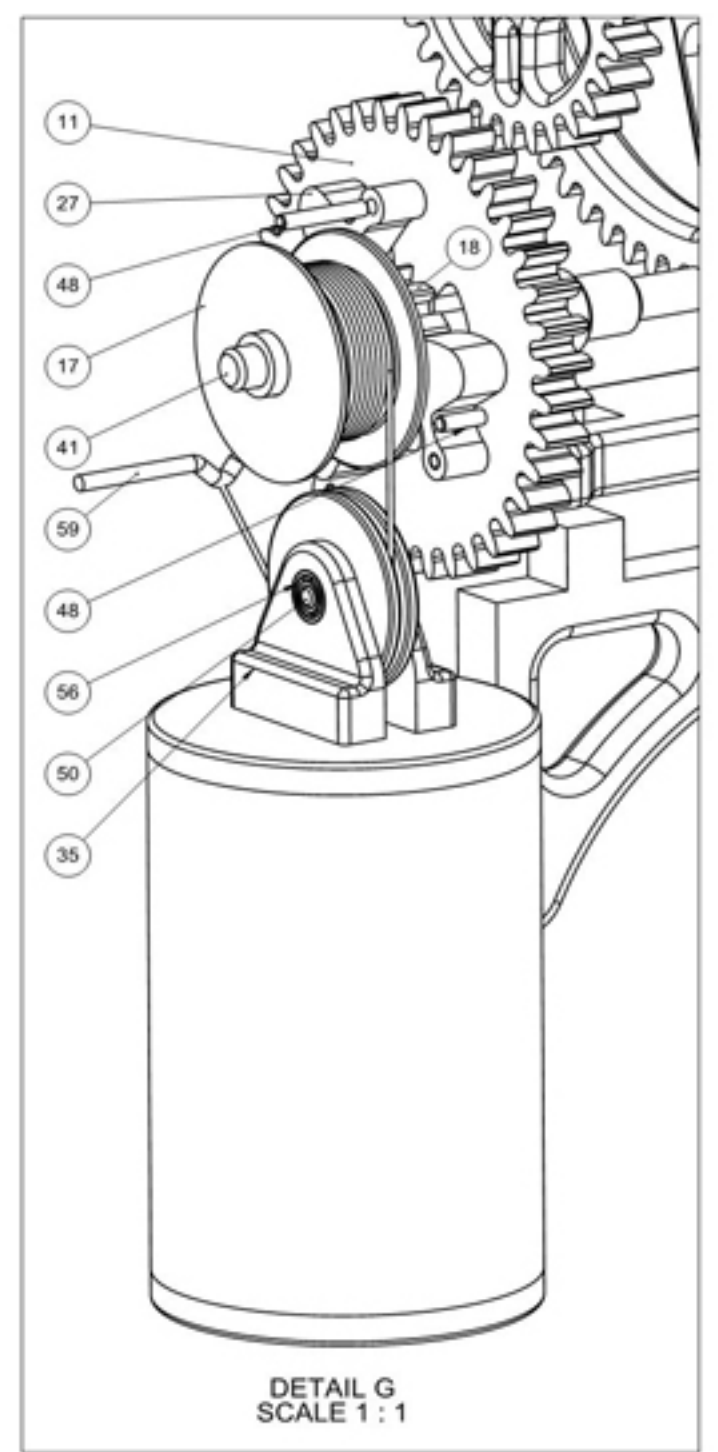
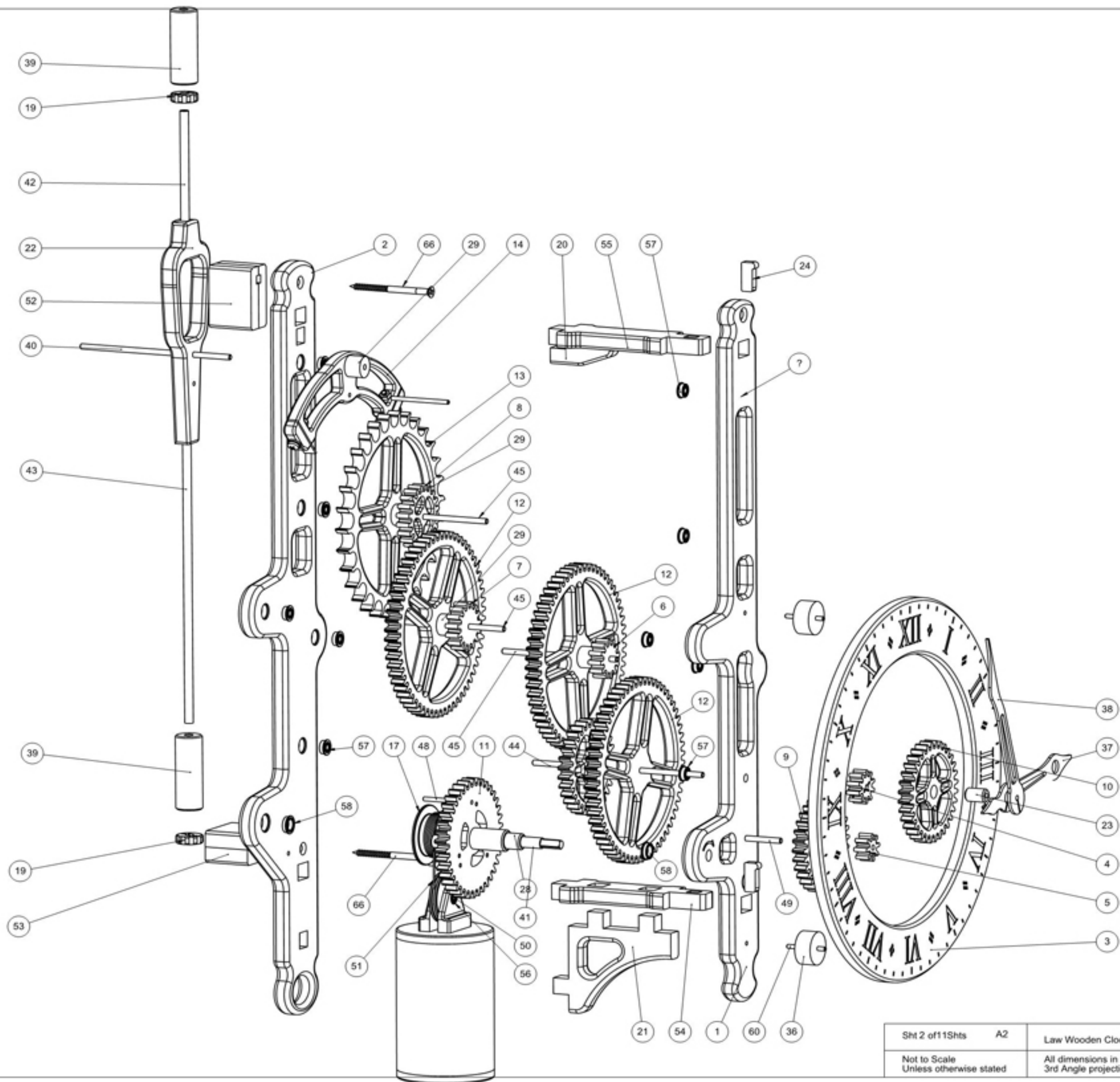
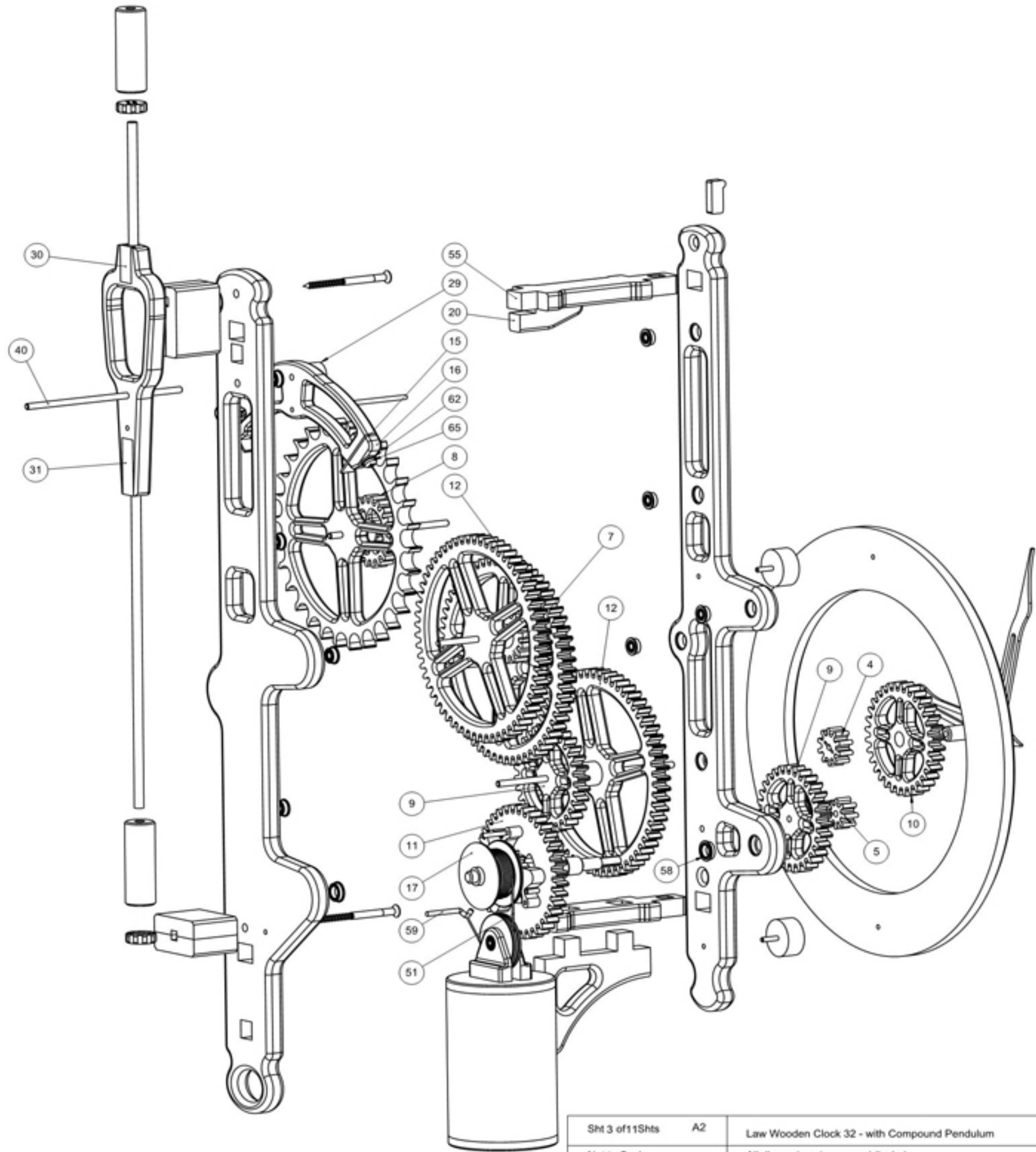
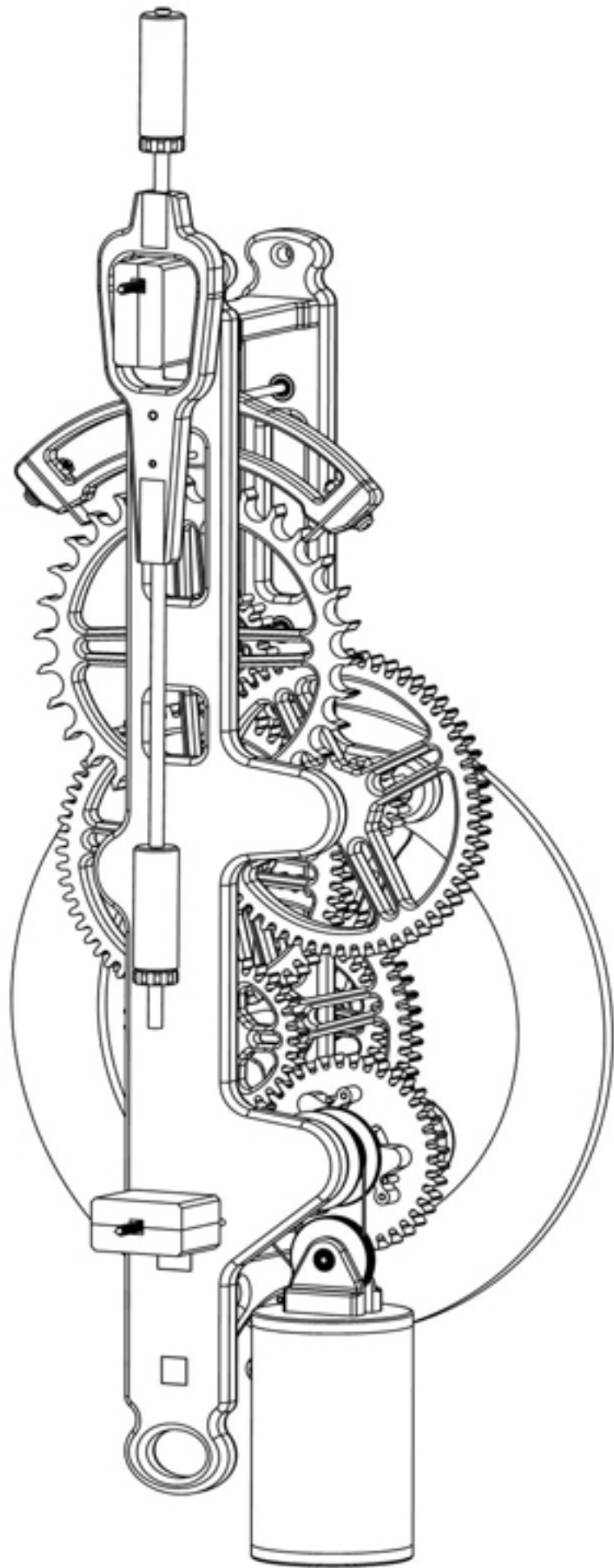


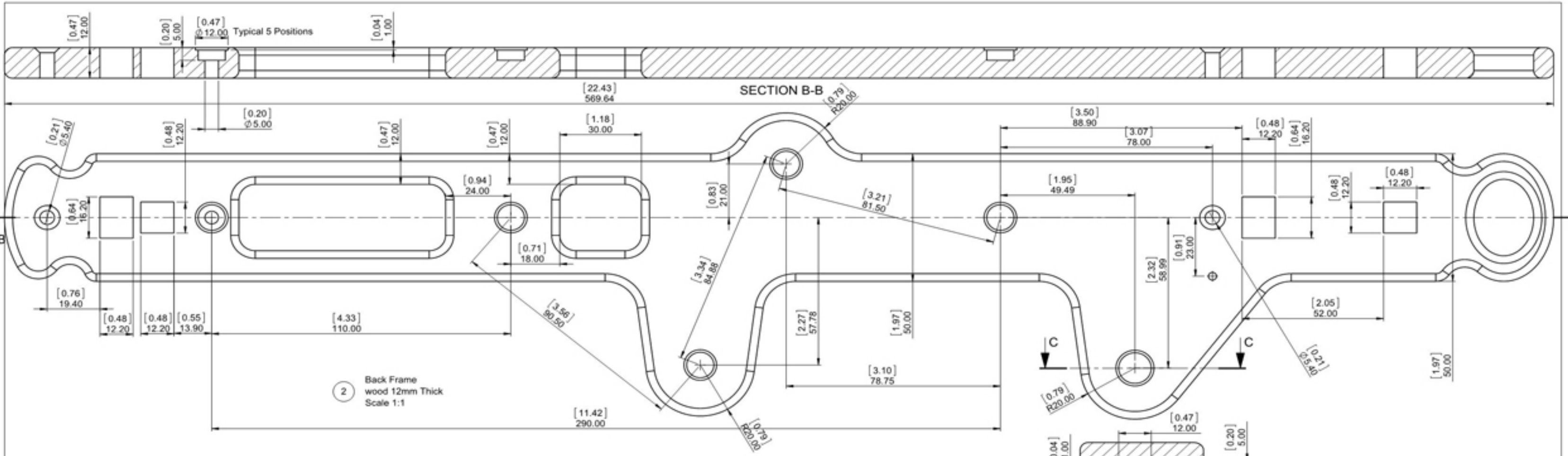
| Item | PART NUMBER                      | DESCRIPTION             | QTY. |
|------|----------------------------------|-------------------------|------|
| 1    | Clock 32-Front Frame             | Wood 12mm Thk           | 1    |
| 2    | Clock 32-Back Frame              | Wood 12mm Thk           | 1    |
| 3    | Clock 32-Dial                    | Wood 9mm Thk            | 1    |
| 4    | Clock 32-Hour Gear-10 Teeth      | Wood 9mm Thk            | 1    |
| 5    | Clock 32-Hour Gear-8 Teeth       | Wood 9mm Thk            | 1    |
| 6    | Clock 32-Gears-12 Teeth          | Wood 9mm Thk            | 1    |
| 7    | Clock 32-Gears-15 Teeth          | Wood 9mm Thk            | 1    |
| 8    | Clock 32-Gears-20Teeth           | Wood 9mm Thk            | 1    |
| 9    | Clock 32-Gears-30 Teeth          | Wood 9mm Thk            | 2    |
| 10   | Clock 32-Hour Gear-32 Teeth      | Wood 9mm Thk            | 1    |
| 11   | Clock 32-Gears-38 Teeth          | Wood 9mm Thk            | 1    |
| 12   | Clock 32-Gears-60 Teeth          | Wood 9mm Thk            | 3    |
| 13   | Clock 32-Escape wheel-30T        | Wood 9mm Thk            | 1    |
| 14   | Clock 32-Escapement Arm          | Wood 9mm Thk            | 1    |
| 15   | Clock 32-Pallet                  | Wood 1.5mm Thk          | 2    |
| 16   | Clock 32-Pallet Clamp            | Wood 2mm Thk            | 2    |
| 17   | Clock 32-Drum                    | Wood 9mm Thk            | 1    |
| 18   | Clock 32-Ratchet                 | Wood 9mm Thk            | 1    |
| 19   | Clock 32-Pendulum BoB lock       | Wood 6mm Thk            | 2    |
| 20   | Clock 32-Top Brace               | Wood 12 mm Thk          | 1    |
| 21   | Clock 32-Brace                   | Wood 12 mm Thk          | 1    |
| 22   | Clock 32-Pendulum Bob Pivot      | Wood 12 mm Thick        | 1    |
| 23   | Clock 32-Hour Gear Tube          | Wood Ø10mm              | 1    |
| 24   | Clock 32-Wedge                   | Wood 6 mm Thk           | 2    |
| 25   | Clock 32-Spacer 28               | Wood 12 mm Thk          | 1    |
| 26   | Clock 32-Winder shaft spacer     | Wood Ø16x35mm           | 1    |
| 27   | Clock 32 Winder Shaft-Pawl       | Wood 9 mm Thk           | 3    |
| 28   | Clock 32-Winder Spacer           | Wood Ø16x50mm           | 1    |
| 29   | Clock 32-Spacer 12               | Wood 12 mm Thk          | 4    |
| 30   | Clock 32-Pivot Short Infill      | Wood 3 mm Thk           | 1    |
| 31   | Clock 32-Pivot Long Infill       | Wood 3 mm Thk           | 1    |
| 32   | Clock 32-Weight - End Plug       | Wood 12mm thk           | 2    |
| 33   | Clock 32-Weight Tube             | Plastic Tube Ø68x2      | 1    |
| 34   | Clock 32-Weight Pulley           | Wood 6mm Thk            | 1    |
| 35   | Clock 32-Weight Pulley support   | Wood 9mm thk            | 2    |
| 36   | Clock 32-Dial Spacer             | Wood 12 mm Thk          | 2    |
| 37   | Clock 32-Hour Hand               | Plastic 2 mm Thick      | 1    |
| 38   | Clock 32-Minute Hand             | Plastic 2 mm Thick      | 1    |
| 39   | Clock 32-Pendulum Bob            | Brass Ø19x60mm          | 2    |
| 40   | Clock 32-Escapement shaft        | Silver Steel Ø4x120mm   | 1    |
| 41   | Clock 32-Drive Shaft             | Brass Ø8x120mm          | 1    |
| 42   | Clock 32-Pendulum Rod top        | Carbon Fibre Ø6x120mm   | 1    |
| 43   | Clock 32-Pendulum Rod Bottom     | Carbon Fibre Ø6x260     | 1    |
| 44   | Clock 32-Minute Shaft            | Silver Steel Ø4x140mm   | 1    |
| 45   | Clock 32-Drive Train shaft       | Silver Steel Ø4x100mm   | 3    |
| 46   | Clock 32-Pin-Drum                | Silver Steel Ø4x120mm   | 1    |
| 47   | Clock 32-Threaded rod-weight     | Stainless Steel M6      | 1    |
| 48   | Clock 32-Pawl Pin                | Silver Steel Ø3x20mm    | 6    |
| 49   | Clock 32-Hour Gear-Pivot         | Silver Steel Ø4x40mm    | 1    |
| 50   | Clock 32-Weight Pin              | Silver Steel Ø4x20mm    | 1    |
| 51   | Clock 32-Weight Cord (Not Drawn) | Blind Cord Ø1mmx2meters | 1    |
| 52   | Clock 32-Wall Spacer top         | Wood 12 mm Thk          | 1    |
| 53   | Clock 32-Wall Spacer Bottom      | Wood 12 mm Thk          | 1    |
| 54   | Clock 32-Bottom Spacer           | Wood 12 mm Thk          | 1    |
| 55   | Clock 32-Top Spacer              | Wood 12 mm Thk          | 1    |
| 56   | Clock 32-4mm Bearing             | MR104ZZ 4x10x4mm        | 2    |
| 57   | Clock 32-4mm Bearing F           | MF104ZZ 4x10x4 Flanged  | 10   |
| 58   | Clock 32-Bearing Flanged 8mm     | MF128ZZ 8x12x3.5mm      | 2    |
| 59   | Clock 32-Weight Support pin      | Silver Steel Ø3x40mm    | 1    |
| 60   | Clock 32-Dial Pin                | Silver Steel Ø3x40mm    | 2    |
| 61   | Clock 32-Escapement Pin          | Silver Steel Ø3x50mm    | 1    |
| 62   | Washer M4                        | Brass or Delrin         | 2    |
| 63   | M4 Nut                           | M4 Nut                  | 2    |
| 64   | M6 Nut                           | M6 Nut                  | 2    |
| 65   | Screw PAN H_M4 x 25mm            | Screw M3x 25mm          | 2    |
| 66   | Woodscrew_No4_5x60               | Brass                   | 2    |



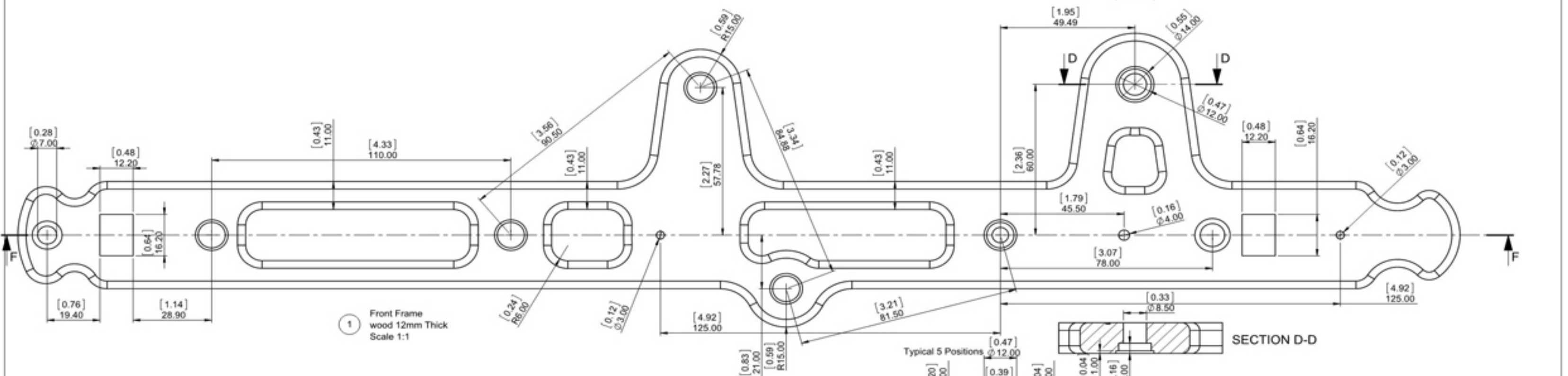
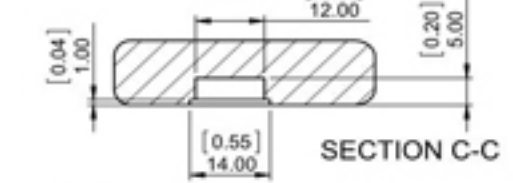
|   |    |   |  |
|---|----|---|--|
| Sht 2 of 11Shts                         | A2 | Law Wooden Clock 32 - with Compound Pendulum              |  |
| Not to Scale<br>Unless otherwise stated |    | All dimensions in mm and (inches)<br>3rd Angle projection | Designed by: Brian Law<br>www.woodenclocks.co.uk August 2017 |



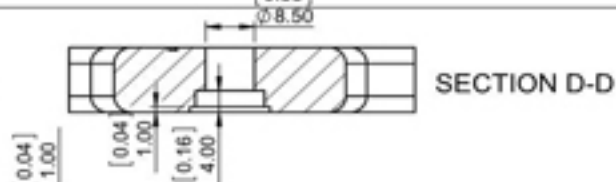
|   |    |   |  |
|---|----|---|--|
| Sht 3 of 11Shts                         | A2 | Law Wooden Clock 32 - with Compound Pendulum              |  |
| Not to Scale<br>Unless otherwise stated |    | All dimensions in mm and (inches)<br>3rd Angle projection | Designed by: Brian law<br>www.woodenclocks.co.uk August 2017 |



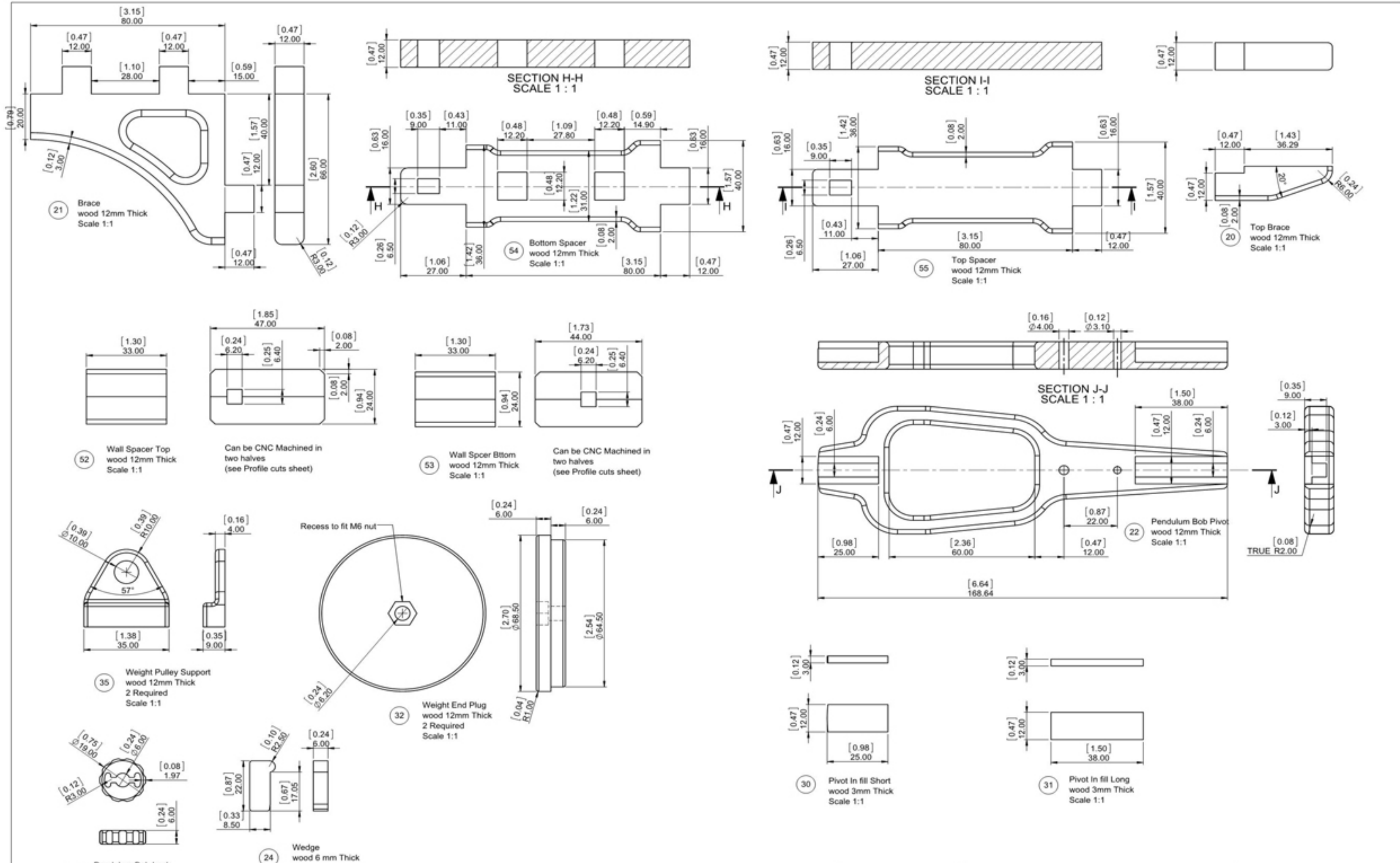
2 Back Frame  
wood 12mm Thick  
Scale 1:1



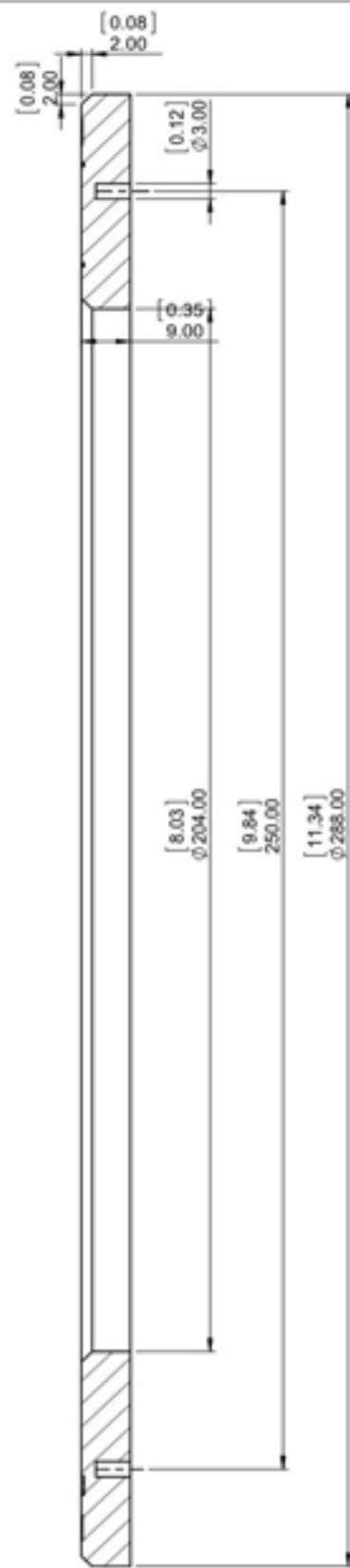
1 Front Frame  
wood 12mm Thick  
Scale 1:1



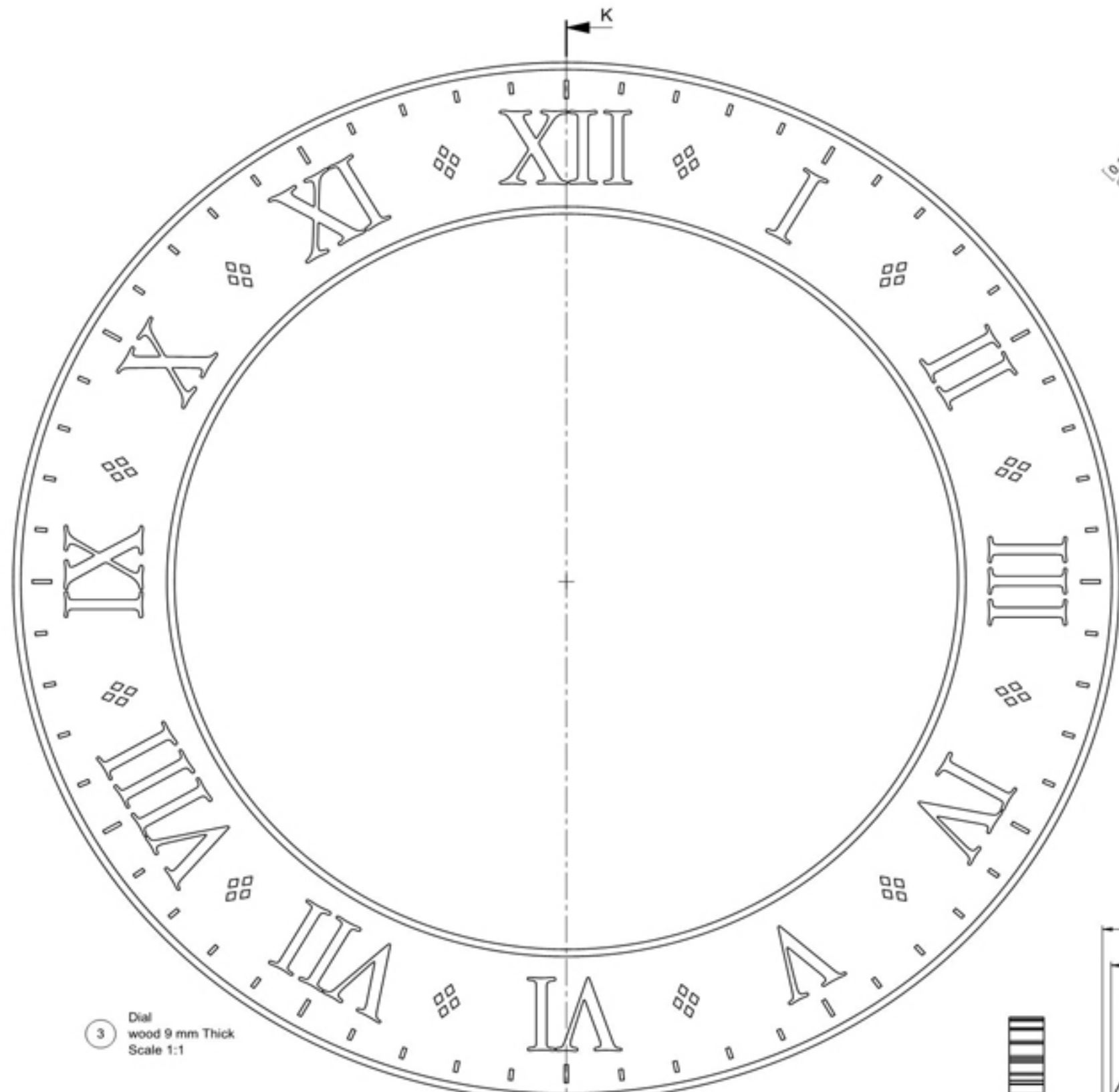
|   |    |   |  |
|---|----|---|--|
| Sht 4 of 11Shts                         | A2 | Law Wooden Clock 32 - with Compound Pendulum              | Designed by: Brian Law<br>www.woodenclocks.co.uk August 2017 |
| Not to Scale<br>Unless otherwise stated |    | All dimensions in mm and (inches)<br>3rd Angle projection |  |



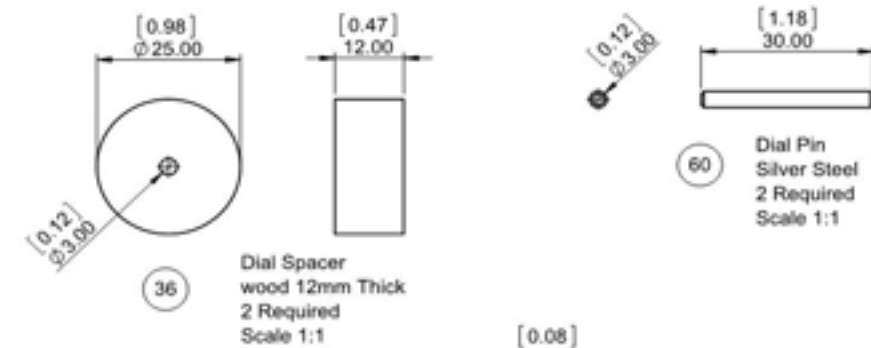
|   |    |   |  |
|---|----|---|--|
| Sht 5 of 11Shts                         | A2 | Law Wooden Clock 32 - with Compound Pendulum              |  |
| Not to Scale<br>Unless otherwise stated |    | All dimensions in mm and (inches)<br>3rd Angle projection | Designed by: Brian Law<br>www.woodenclocks.co.uk August 2017 |



SECTION K-K  
SCALE 1:1

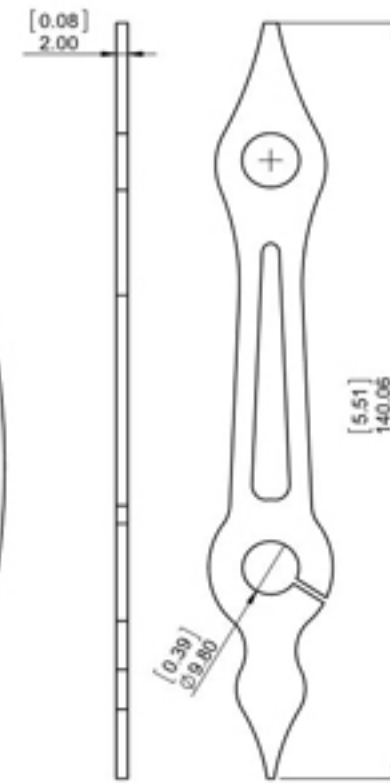


3 Dial  
wood 9 mm Thick  
Scale 1:1

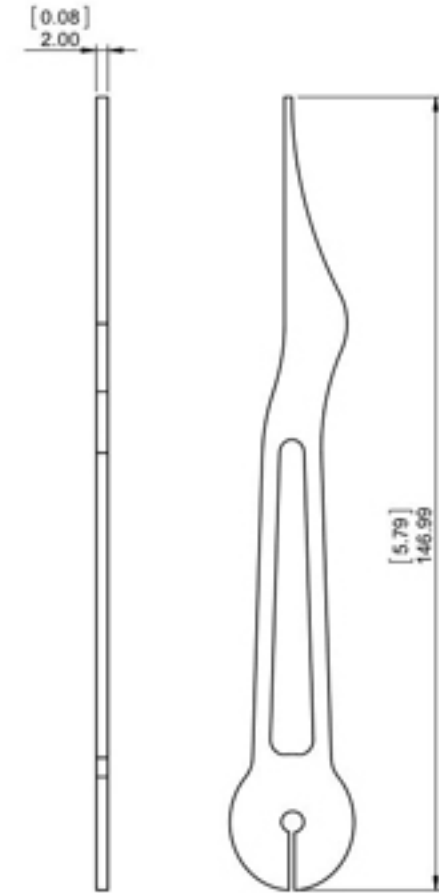


36 Dial Spacer  
wood 12mm Thick  
2 Required  
Scale 1:1

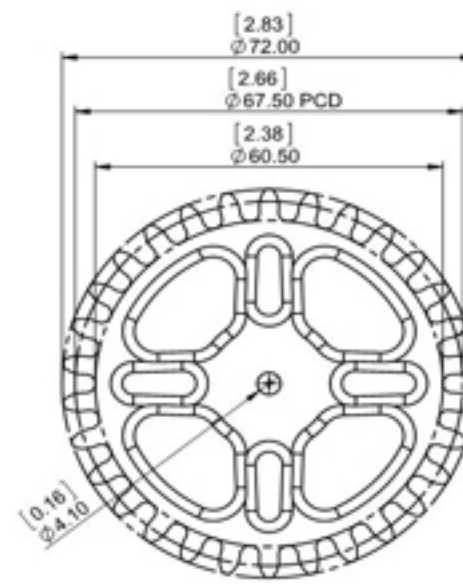
60 Dial Pin  
Silver Steel  
2 Required  
Scale 1:1



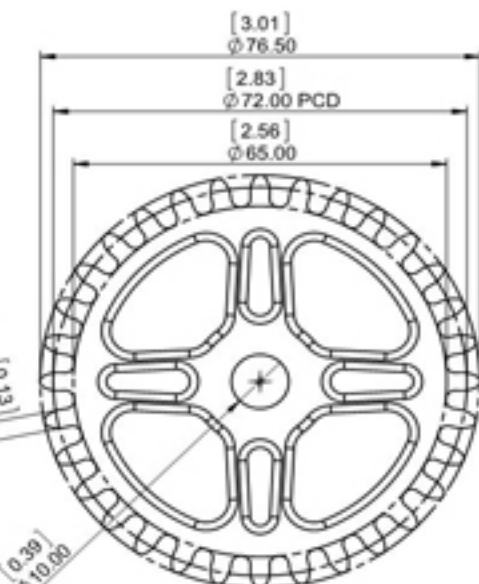
37 Hour Hand  
Plastic 2 mm Thick  
Scale 1:1



38 Minute Hand  
Plastic 2 mm Thick  
Scale 1:1



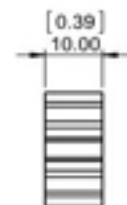
9 Hour Gear 30 Teeth  
Wood 9 mm Thick  
Scale 1:1



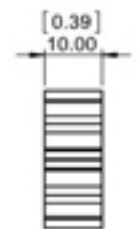
10 Hour Gear 32 Teeth  
Wood 9 mm Thick  
Scale 1:1



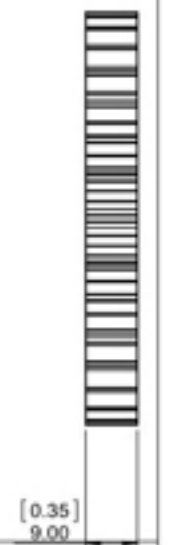
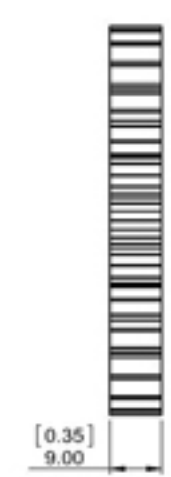
23 Hour Gear Tube  
Wood 10 mm  
Scale 1:1  
Fits into Item 10



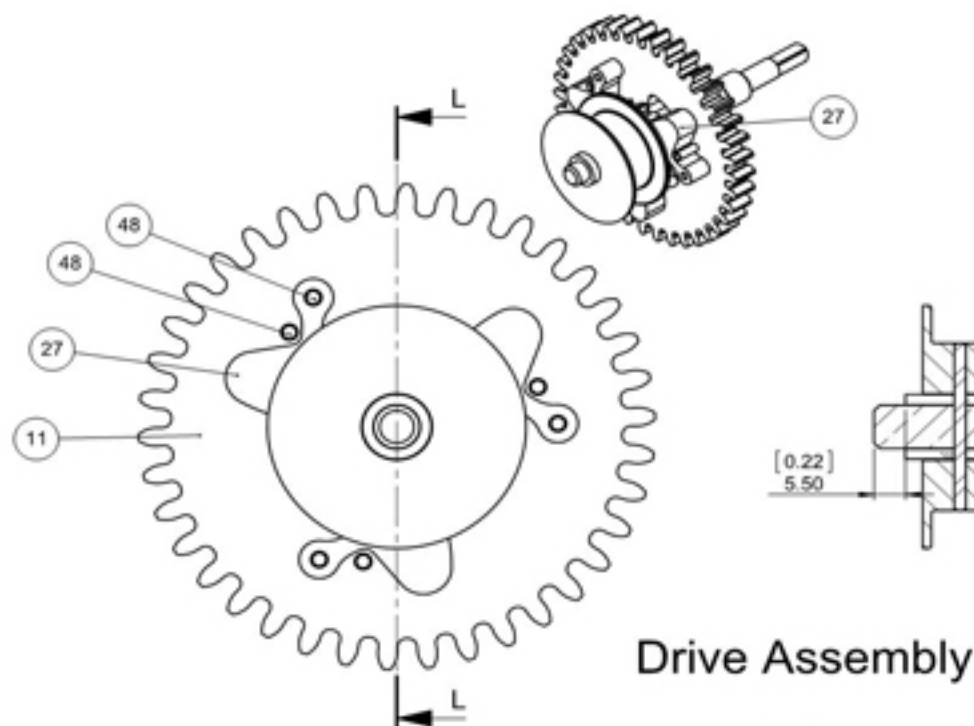
5 Hour Gear 8 Teeth  
Wood 9 mm Thick  
Scale 1:1



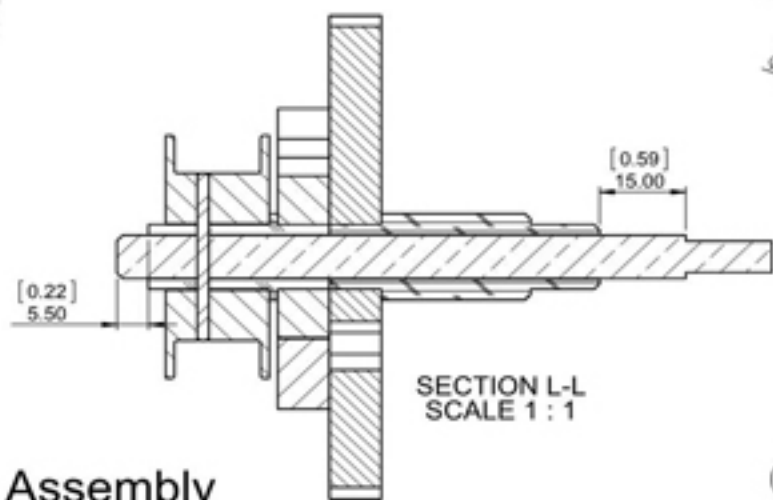
4 Hour Gear 10 Teeth  
Wood 9 mm Thick  
Scale 1:1



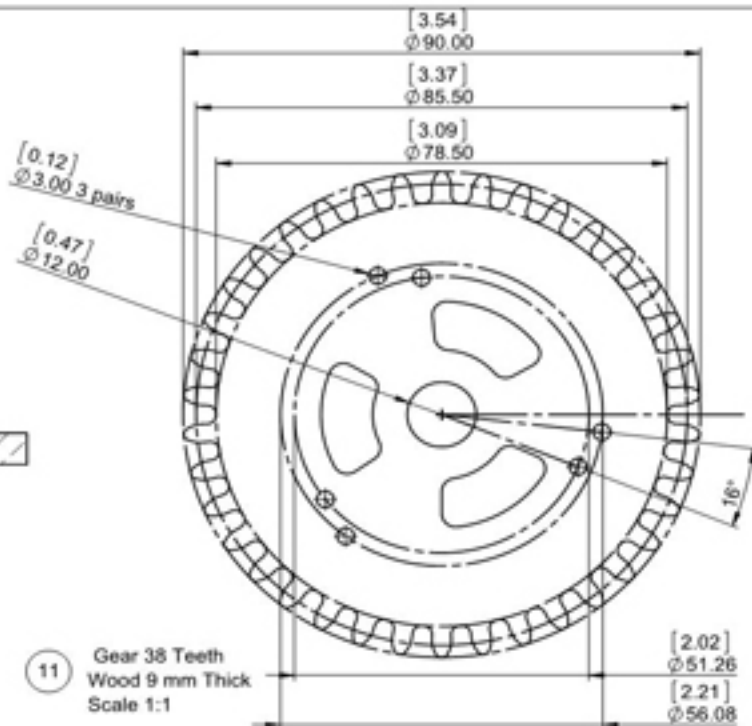
|   |    |  |
|---|----|--|
| Sht 6 of 11Shts                         | A2 | Law Wooden Clock 32 - with Compound Pendulum                 |
| Not to Scale<br>Unless otherwise stated |    | All dimensions in mm and (inches)<br>3rd Angle projection    |
|   |    | Designed by: Brian Law<br>www.woodenclocks.co.uk August 2017 |



Drive Assembly



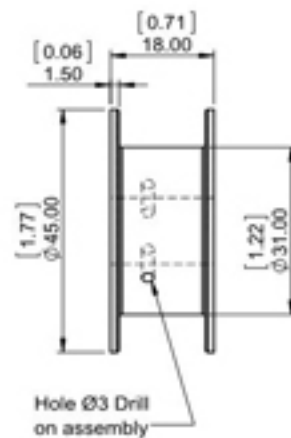
SECTION L-L  
SCALE 1:1



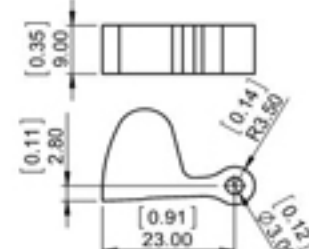
11 Gear 38 Teeth  
Wood 9 mm Thick  
Scale 1:1



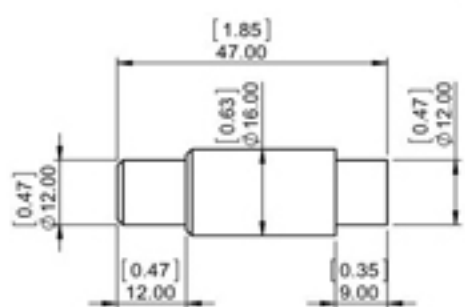
17 Drum  
Wood 18 mm Thick  
Scale 1:1  
May be cut in 2 halves  
on CNC (see Profile cuts sheet).



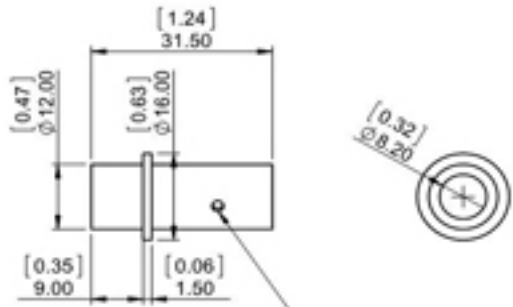
46 Pin-Drum  
Silver Steel Ø4  
3 Required  
Scale 1:1



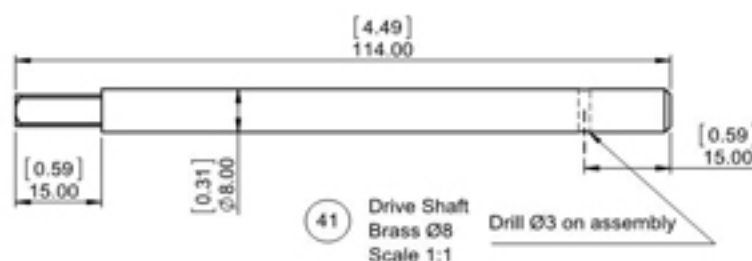
27 Winder Shaft Pawl  
Wood 9 mm Thick  
3 Required  
Scale 1:1



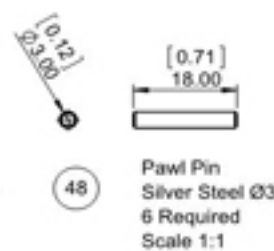
28 Winder Spacer  
Wood Ø16  
Scale 1:1



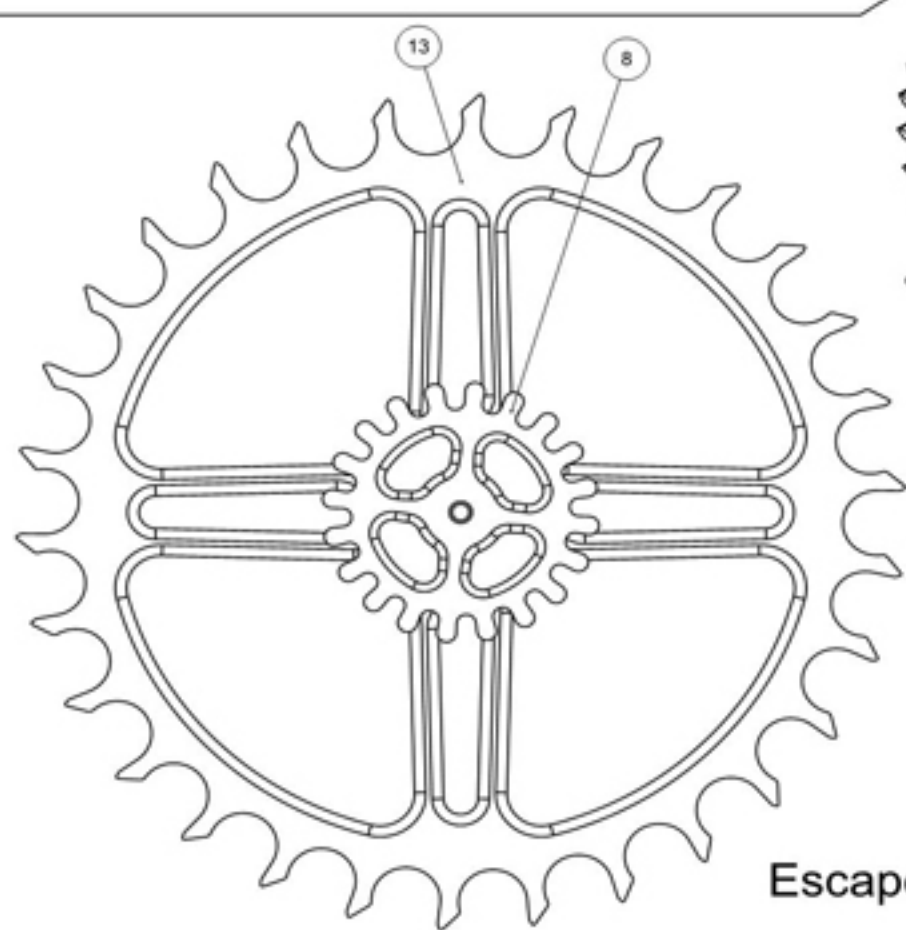
26 Winder Shaft Spacer  
Wood Ø16  
Scale 1:1



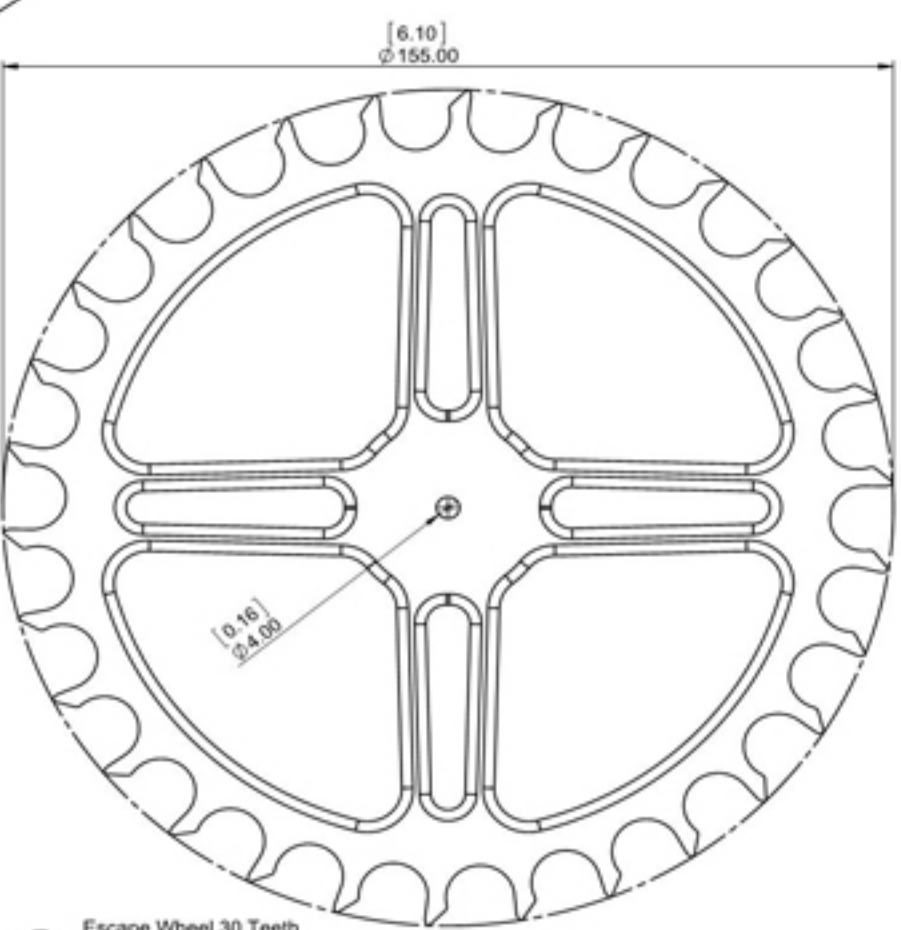
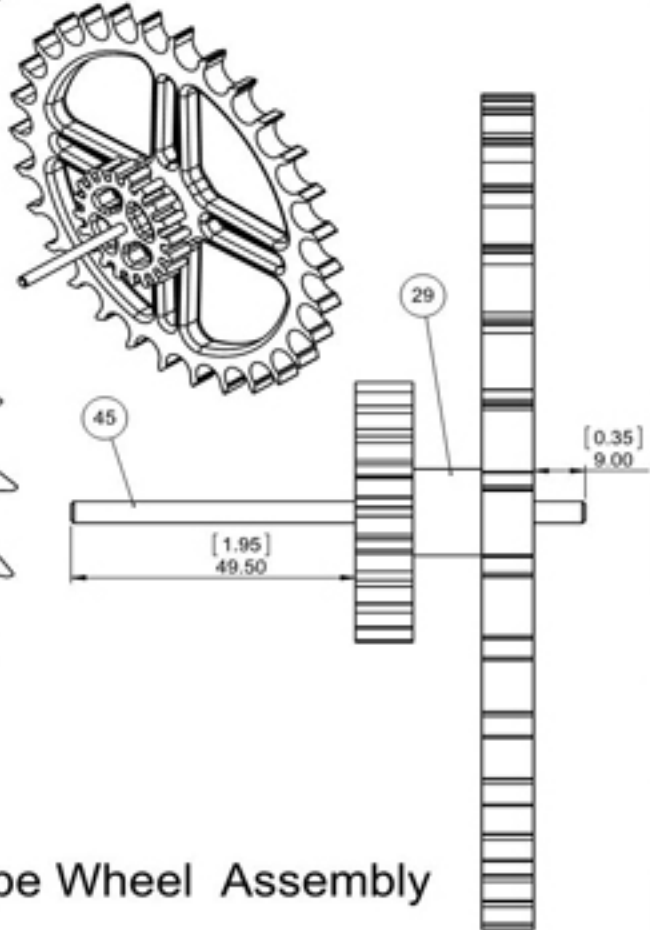
41 Drive Shaft  
Brass Ø8  
Scale 1:1



48 Pawl Pin  
Silver Steel Ø3  
6 Required  
Scale 1:1



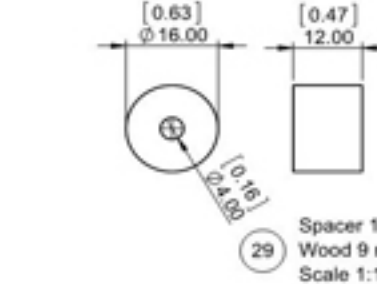
Escape Wheel Assembly



13 Escape Wheel 30 Teeth  
Wood 9 mm Thick  
Scale 1:1

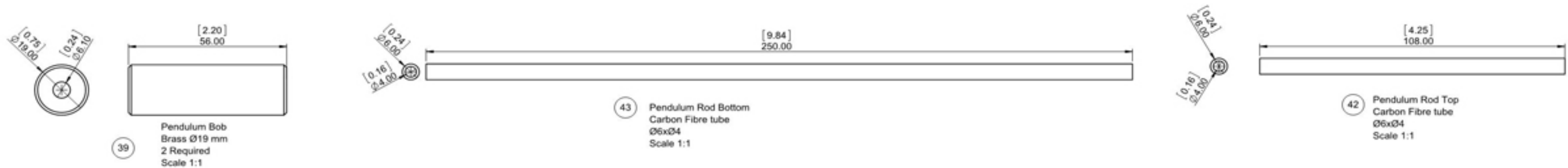
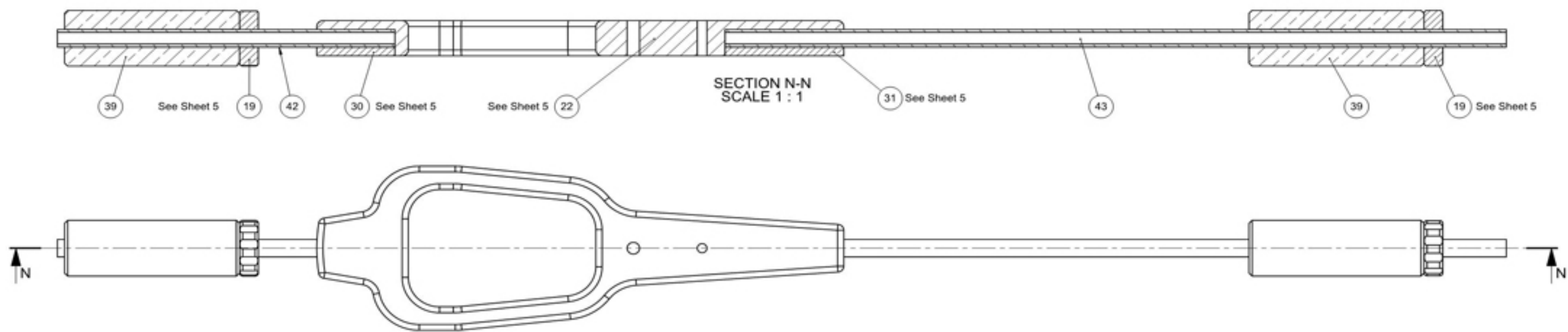
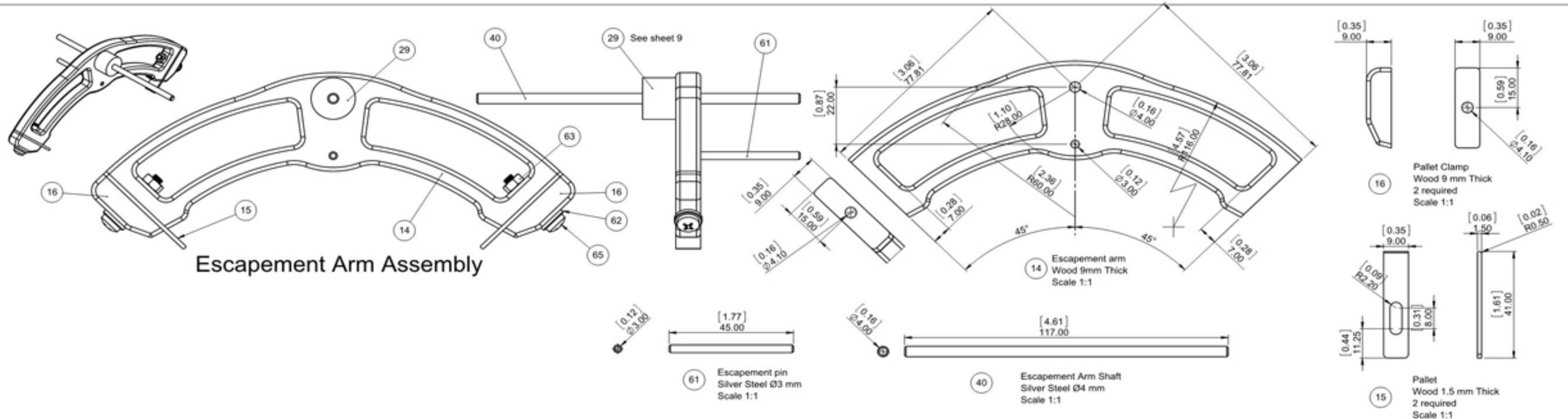


29 Spacer 12  
Wood 9 mm Thick  
Scale 1:1



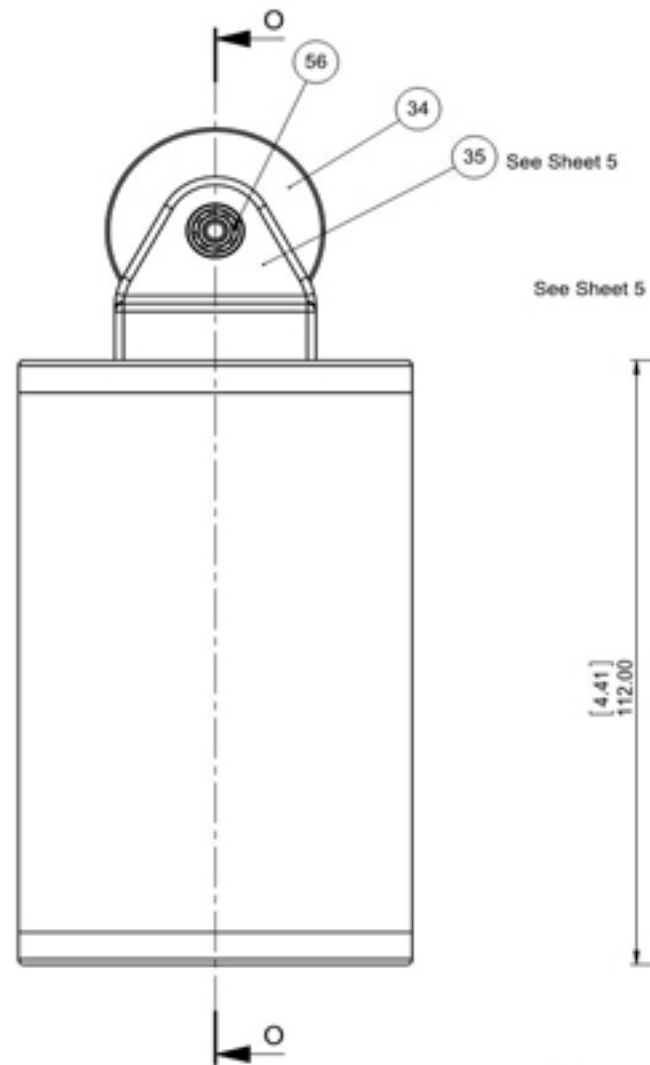
8 Gear 20 Teeth  
Wood 9 mm Thick  
Scale 1:1

|   |    |  |
|---|----|--|
| Sht 7 of 11Shts                         | A2 | Law Wooden Clock 32 - with Compound Pendulum                 |
| Not to Scale<br>Unless otherwise stated |    | All dimensions in mm and (inches)<br>3rd Angle projection    |
|   |    | Designed by: Brian Law<br>www.woodenclocks.co.uk August 2017 |

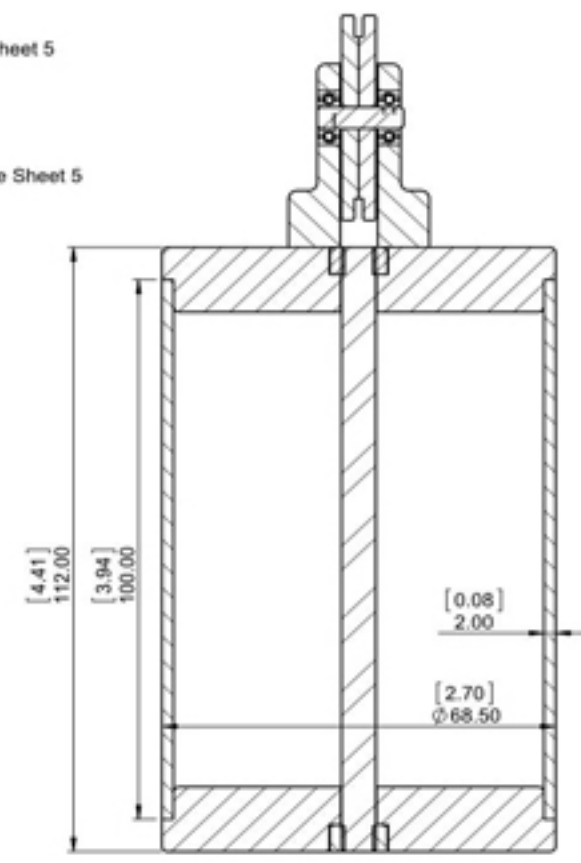


|                                      |    |  |  |
|--------------------------------------|----|--|--|
| Sht 9 of 11Shts                      | A2 | Law Wooden Clock 32 - with Compound Pendulum           |  |
| Not to Scale Unless otherwise stated |    | All dimensions in mm and (inches) 3rd Angle projection | Designed by: Brian law<br>www.woodenclocks.co.uk August 2017 |

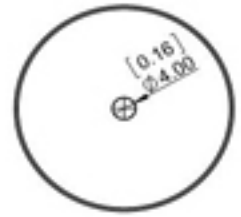
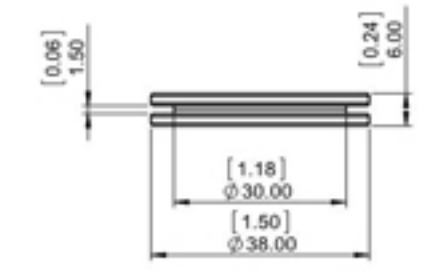
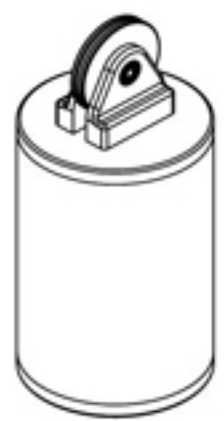




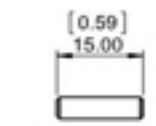
See Sheet 5



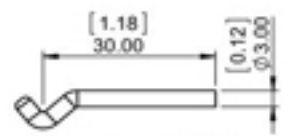
SECTION O-O  
SCALE 1 : 1



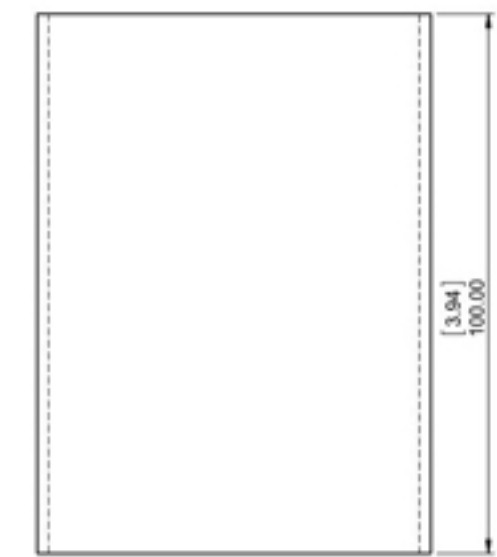
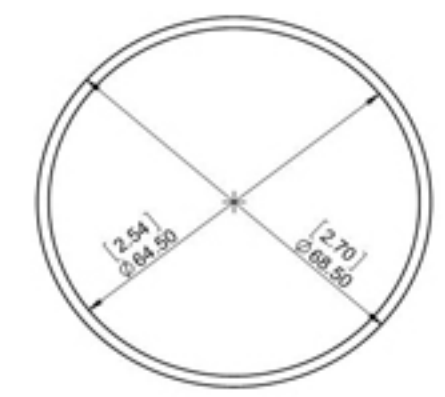
34 Weight Pulley  
Wood 8mm Thick  
Scale 1:1



50 Weight Pin  
Silver Steel Ø3  
Scale 1:1

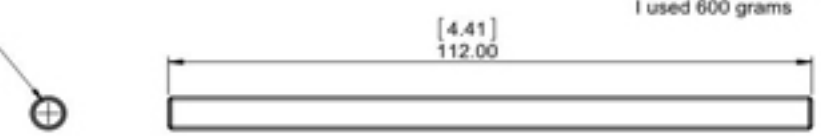


59 Weight Support Pin  
Silver Steel Ø3  
Scale 1:1



33 Weight Tube  
Plastic Drain Pipe  
Scale 1:1  
Fill with Lead shot to the required weight.  
I used 600 grams

M6 Threaded rod



47 Threaded Rod  
Stainless Steel M6  
Scale 1:1

|   |    |   |  |
|---|----|---|--|
| Sht10of11Shs                            | A2 | Law Wooden Clock 32 - with Compound Pendulum              |  |
| Not to Scale<br>Unless otherwise stated |    | All dimensions in mm and (inches)<br>3rd Angle projection | Designed by: Brian law<br>www.woodenclocks.co.uk August 2017 |