

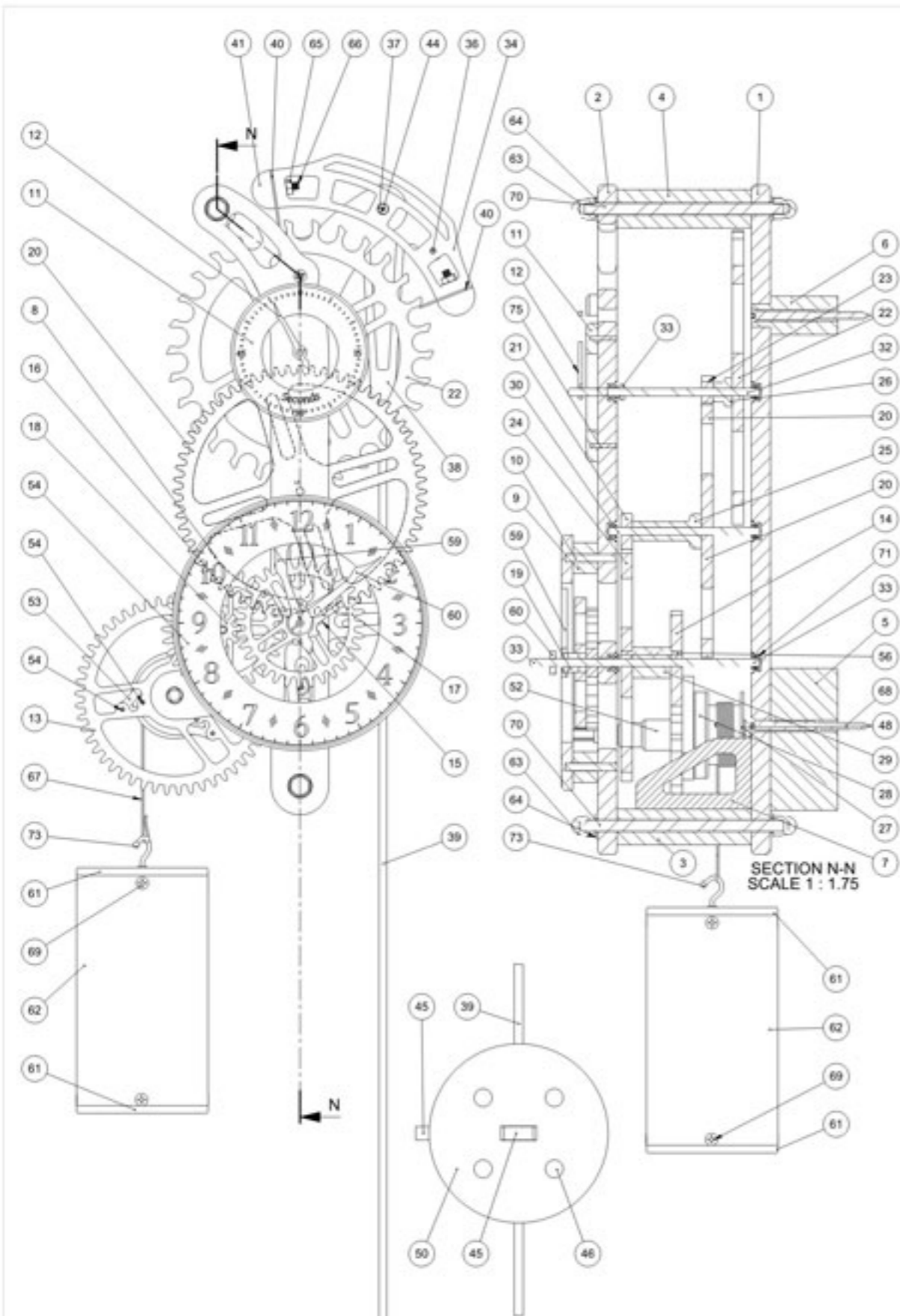
The section shown above is taken through the centre of the clock and shows all the shafts and the type of fits required.

The clock is shown laying down horizontally with the back frame at the bottom and the front frame at the top.

Each of the joints is shown in a colour to indicate the type of fit required, Green for a loose fit, Blue for a tight fit and Red for items needed to be glued. It is best to glue all of the parts for the Back frame together for a start.

Next assemble the Gear shafts making sure that the parts are a tight fit on the side plates, if there is any looseness here then it is best to glue these together as well.

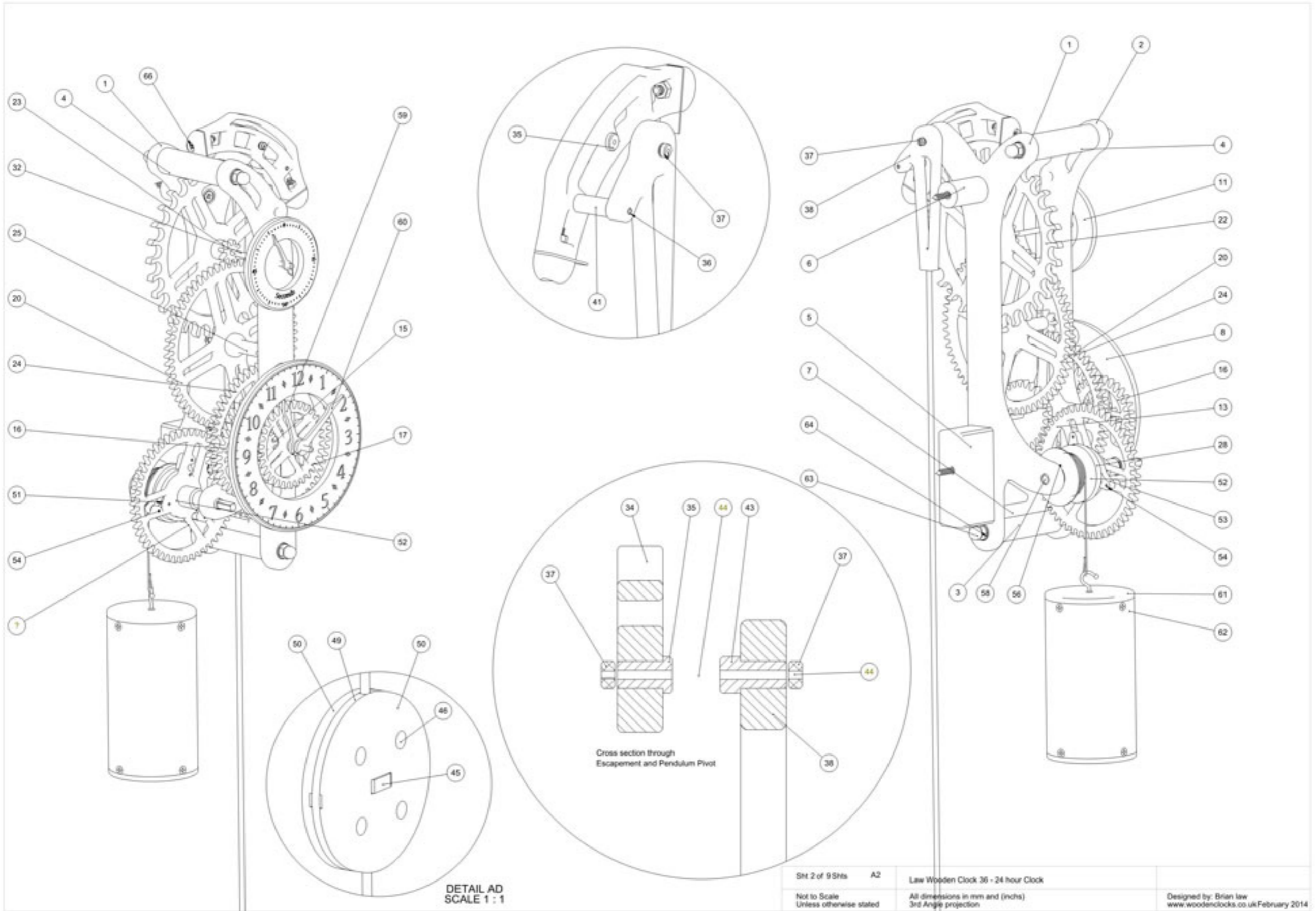
The only other places you will need to glue are the Carbon fibre rod into the pendulum head and the two sides of the drum, the Spacer front and the Ratchet to the centre section.



ITEM NO.	PART NUMBER	DESCRIPTION	QTY.
1	Clock-36-Back-Frame	Wood 10mm thk	1
2	Clock-36-Front-Frame	Wood 10mm thk	1
3	Clock-36-Frame-Spacer-Flat	Wood	1
4	Clock-36-Frame-Spacer	Wood	1
5	Clock-36-Rear-Spacer-Bottom	Wood	1
6	Clock-36-Rear-Spacer-Top	Wood	1
7	Clock-36-Bottom-Brace	Wood 10 mm thk	1
8	Clock-36-Dial	Wood 6mm thk	1
9	Clock-36-Dial-Spacer	Wood	2
10	Clock-36-Dial-Spacer-Pin	Ø4 mm Steel	2
11	Clock-36-Seconds-Dial	Wood 6mm thk	1
12	Clock-36-Seconds-hand-1	Plastic 2mm	1
13	Clock-36-Gears-50-Teeth	Wood 6mm thk	1
14	Clock-36-Gears-25-Teeth	Wood 6mm thk	1
15	Clock-36-Hour-Gears-10-Teeth	Wood 6mm thk	1
16	Clock-36-Hour-Gears-30-Teeth	Wood 6mm thk	1
17	Clock-36-Hour-Gears-32-Teeth	Wood 6mm thk	1
18	Clock-36-Hour-Gears-8-Teeth	Wood 6mm thk	1
19	Clock-36-Hour-Tube	Wood	1
20	Clock-36-Gear-64-Teeth	Wood 6mm thk	1
21	Clock-36-Gears-8-Teeth	Wood 6mm thk	1
22	Clock-36-Escape-wheel-30T	Wood 6mm thk	1
23	Clock-36-Gears-8-Teeth	Wood 6mm thk	1
24	Clock-36-Gear-60-Teeth	Wood 6mm thk	1
25	Clock-36-Gear-Spacer-36	Wood	1
26	Clock-36-Gear-Spacer-10	Wood	1
27	Clock-36-shaft-spacer-Back	Wood	1
28	Clock-36-shaft-spacer-Front	Wood 6mm thk	1
29	Clock-36-Gear-Spacer-20	Wood	1
30	Clock-36-Intermeadiate-Shaft	Ø4mm Steel	1
32	Clock-36-Seconds-Shaft	Steel	1
33	Clock-36-End-stop	Plastic 2mm	1
34	Clock-36-Escapement	Wood 10mm thk	1
35	Clock-36-Escapement-Bush	Acetal Ø8mm	1
36	Clock-36-Spacer Pin-37	Ø3 Steel	1
37	Clock-36-End-stop-2mm	Plastic 2mm	2
38	Clock-36-Pendulum-Head	Wood 10mm thk	1
39	Clock-36-Pendulum-Rod	Ø4mm Carbon	1
40	Clock-36-Pallet	Plastic 1mm	2

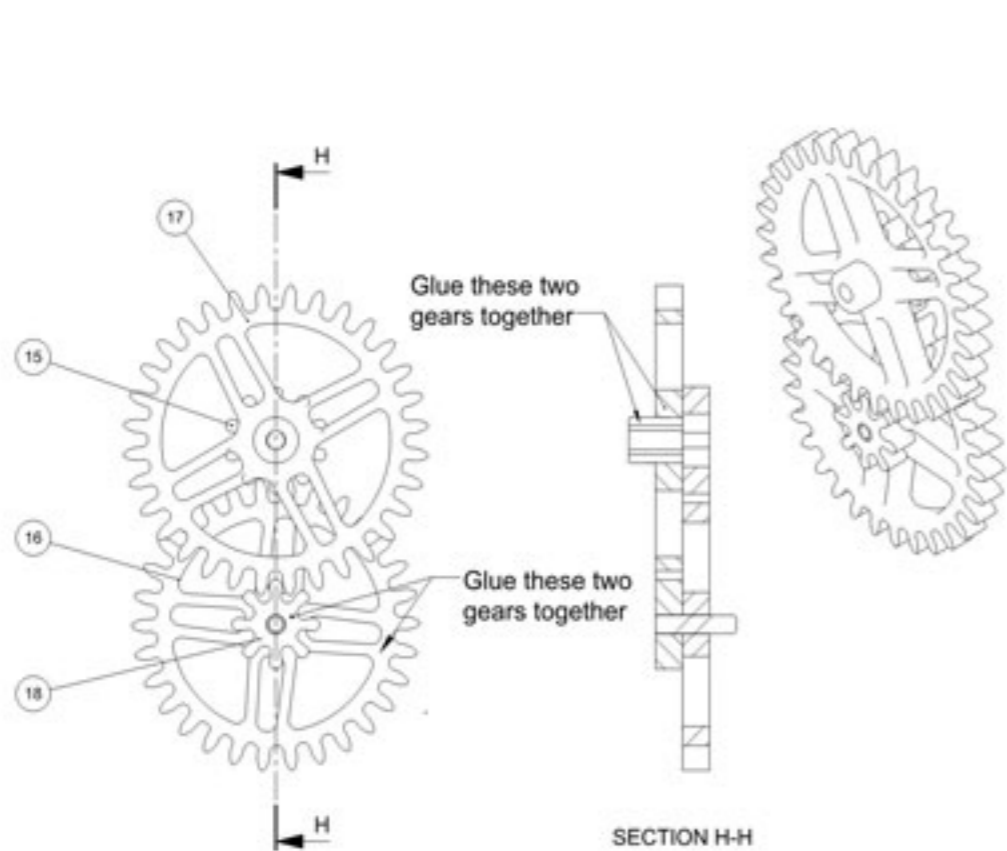
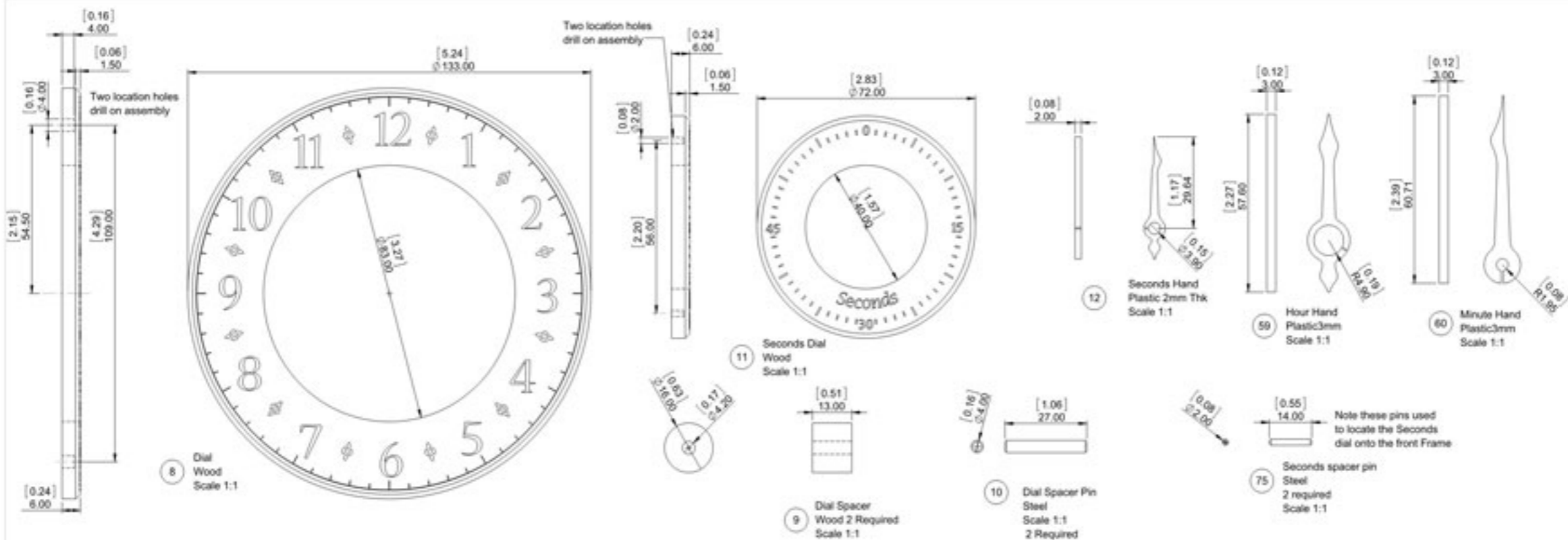
ITEM NO.	PART NUMBER	DESCRIPTION	QTY.
41	Clock-36-Pallet-Clamp	Wood 10mm thk	2
43	Clock-36-Pendulum-Bush	Acetal Ø8 mm	1
44	Clock-36-Pendulum-Pivot-Pin	Ø2 mm	1
45	Clock-36-Pendulum Bob Lock	Wood 6mm thk	1
46	Clock-36-Pendulum Bob-Pin	Ø8 Brass	4
47	Clock-36-Pendulum Lock Spring	Small Spring	1
48	Clock-36-Drum	Wood	1
49	Clock-36-Pendulum Bob-inner	Wood 4mm thk	1
50	Clock-36-Pendulum Bob-outer	Wood 6mm thk	2
51	Clock-36-Ratchet	Wood 6mm thk	1
52	Clock-36-Winder-Spacer	Wood	1
53	Clock-36-Winder-Shaft-Pawl	Wood 6mm thk	3
54	Clock-36-Pawl-Pin	Ø2 mm	6
55	Clock-36-Pin-Drum	Ø2mm Steel	1
56	Clock-36-Drive-Pin	Ø2 mm Steel	3
57	Clock-36-Pin-4-18	Ø4 mm Steel	1
58	Clock-36-Drive-Shaft	Ø4 mm Steel	1
59	Clock-36-Hour-hand	Plastic 2 mm	1
60	Clock-36-Minute-hand	Plastic 2 mm	1
61	Clock-36-Weight - End Plug	Wood 12 mm thk	2
62	Clock-36-Weight-Tube	TubeØ68x2x150	1
63	Domed-nut-m6x1-6	Brass	4
64	M6-Washer	Brass	4
65	Nut-M4	Steel	2
66	Screw-M4-0-7-10	Steel	2
67	Clock-36-Weight-Cord	Cord Ø0.5mm	1
68	Woodscrew_No4_5x60	Brass	2
69	90031A128	Wood screw	8
70	Clock-36-Threaded-Rod	M6Threaded rod	2
71	Bearing-FlangedØ4xØ9x4mm	SF684ZZ	6
72	Bearing-Flanged-Ø8mm-Ø12mm-3.5	SMF128ZZ	2
73	Screw hook 29905T4	Brass	1
74	91635A210	Ø4 mm Washer	1
75	Clock-36-Seconds-Spacer-Pin	Ø2mm Steel	2

Detail view of Pendulum Bob

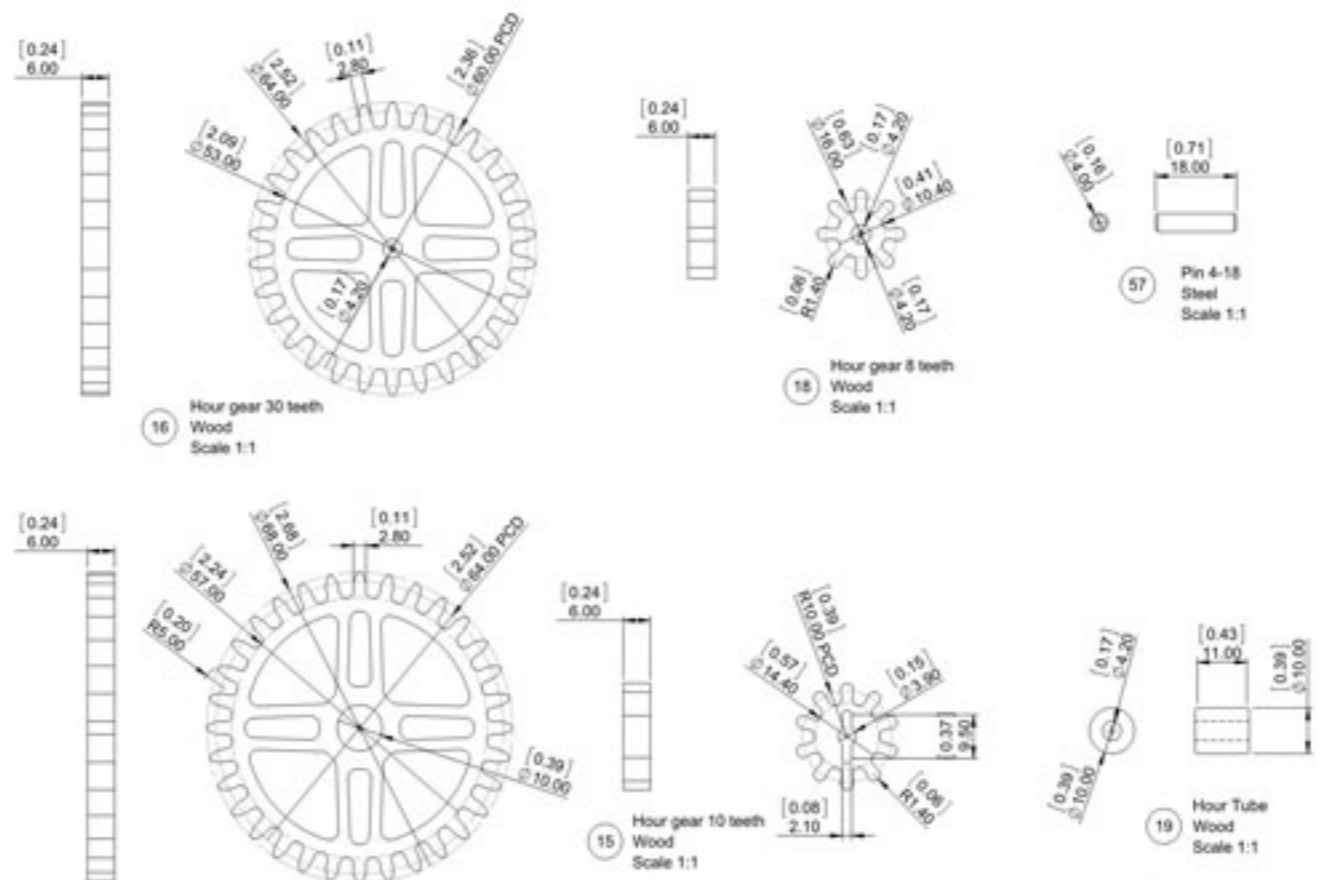


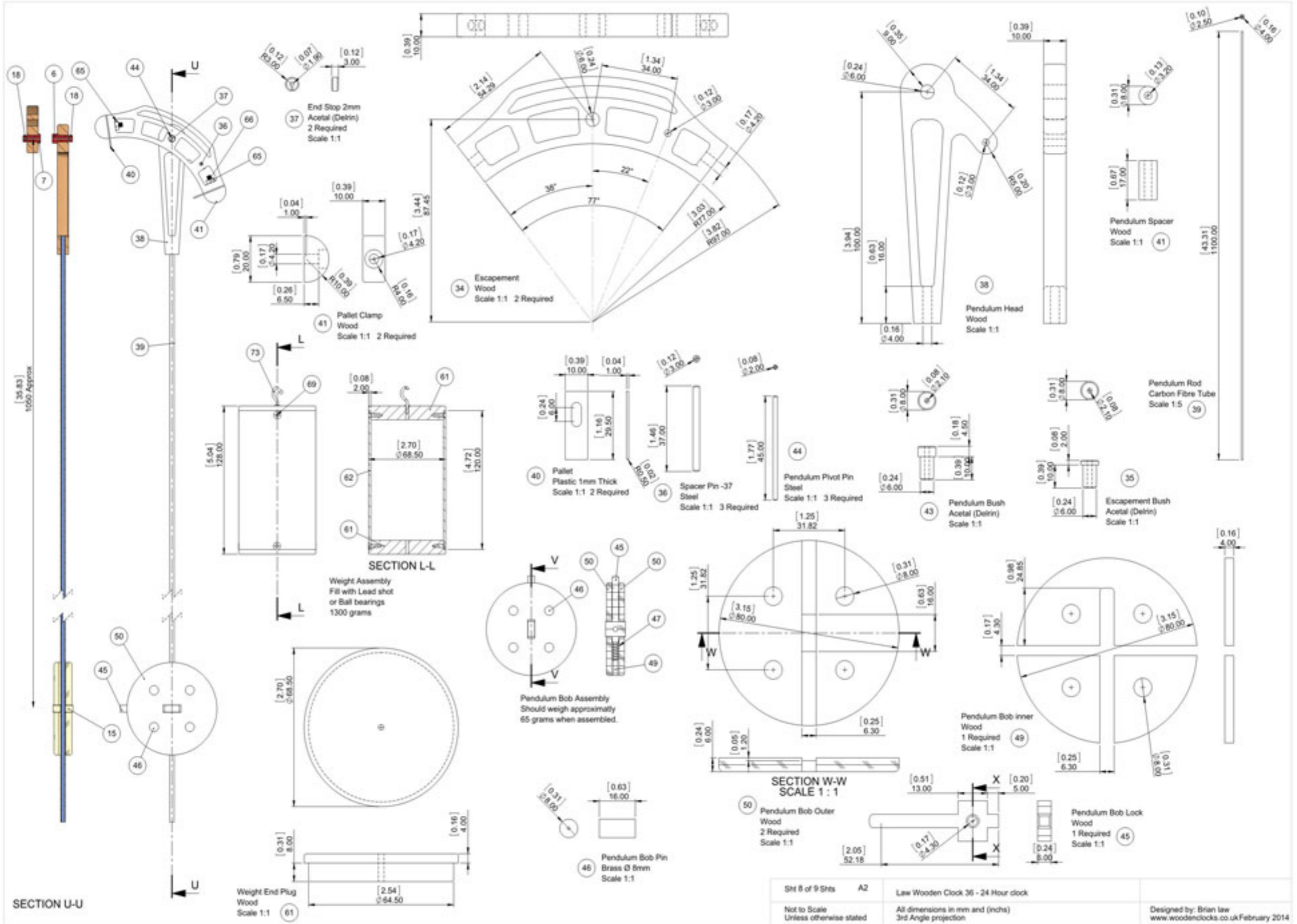
DETAIL A4  
SCALE 1 : 1

Sht 2 of 9 Shts	A2	Law Wooden Clock 36 - 24 hour Clock	
Not to Scale Unless otherwise stated		All dimensions in mm and (inches) 3rd Angle projection	Designed by: Brian Law www.woodenclocks.co.uk February 2014



Hour Gear Assembly





Sht 8 of 9 Shts	A2	Law Wooden Clock 36 - 24 Hour clock	
Not to Scale Unless otherwise stated		All dimensions in mm and (inches) 3rd Angle projection	Designed by: Brian law www.woodenclocks.co.uk February 2014