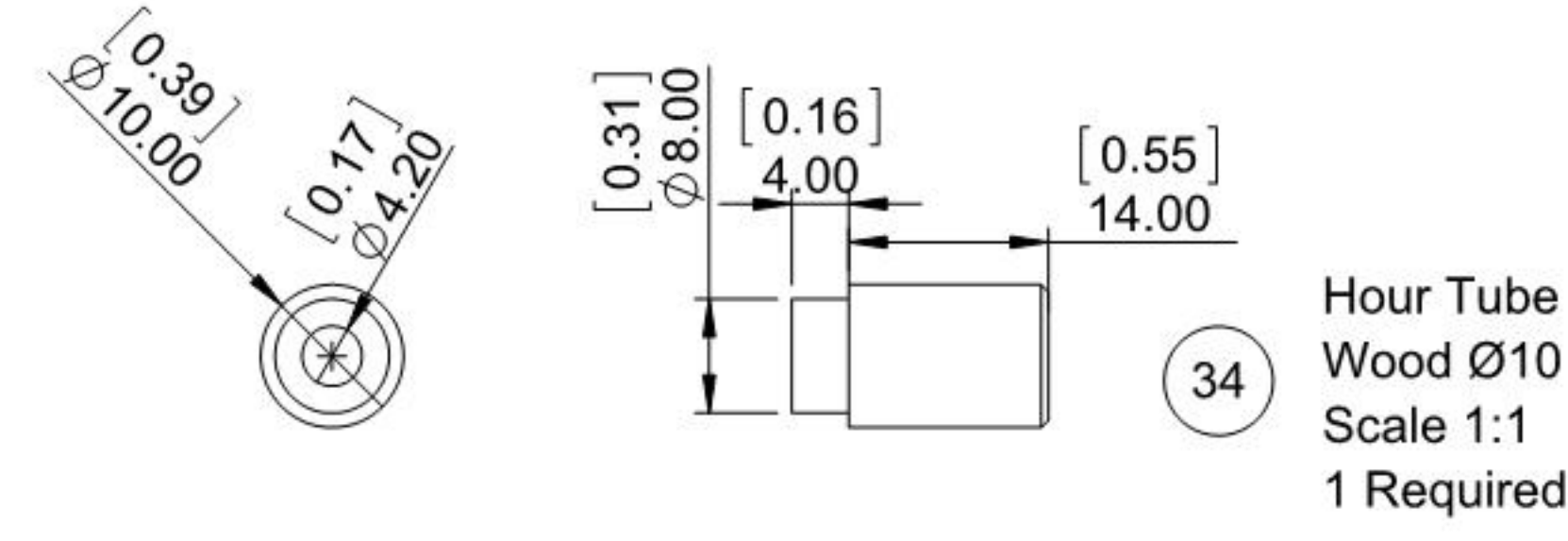


50 Brace  
Wood 9mm Thick  
Scale 1:1  
2 Required

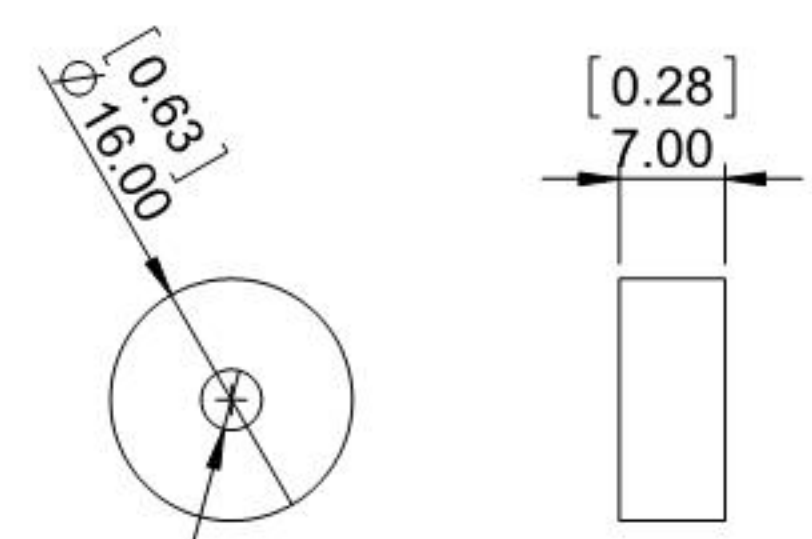
36 Hour Hand  
ABS 3mm Thick  
Scale 1:1  
1 Required

35 Minute Hand  
ABS 3mm Thick  
Scale 1:1  
1 Required

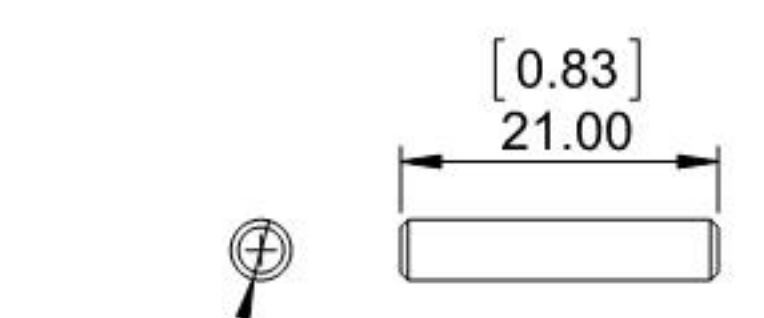


34 Hour Tube  
Wood Ø10  
Scale 1:1  
1 Required

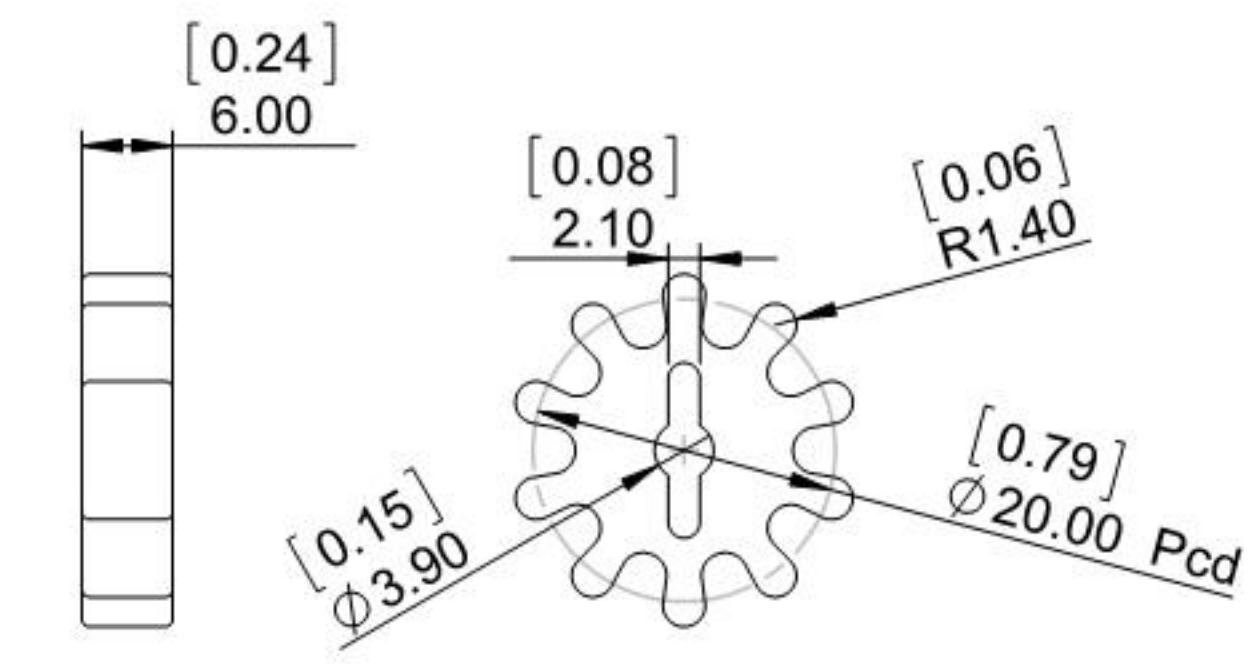
5 Dial  
Wood 9mm Thick  
Scale 1:1



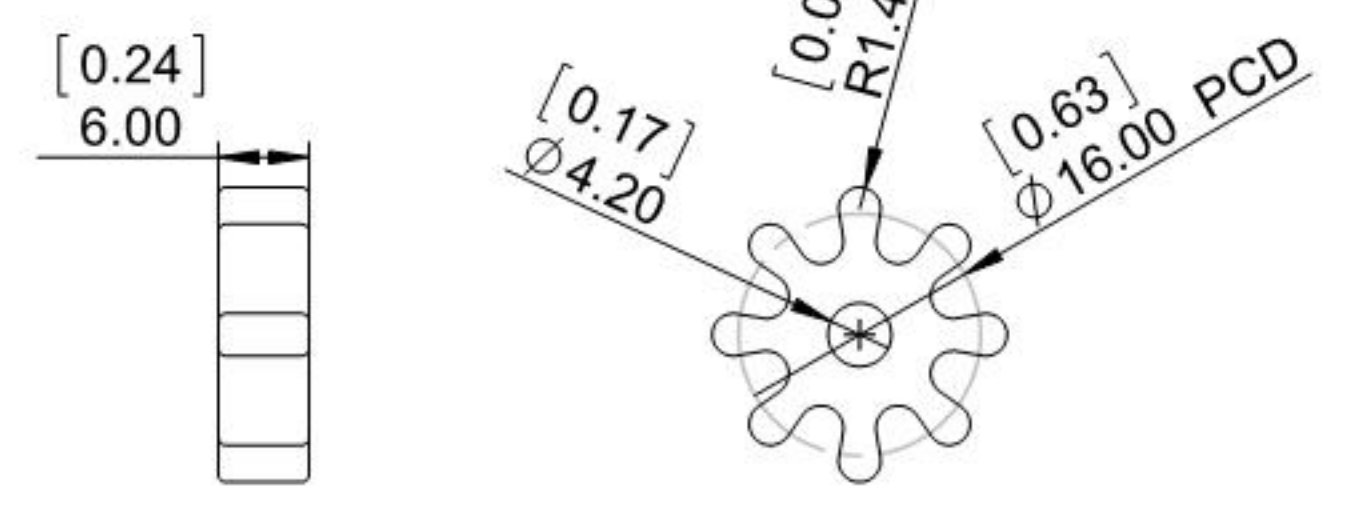
6 Dial Spacer  
Wood 9mm Thick  
Scale 1:1  
3 Required



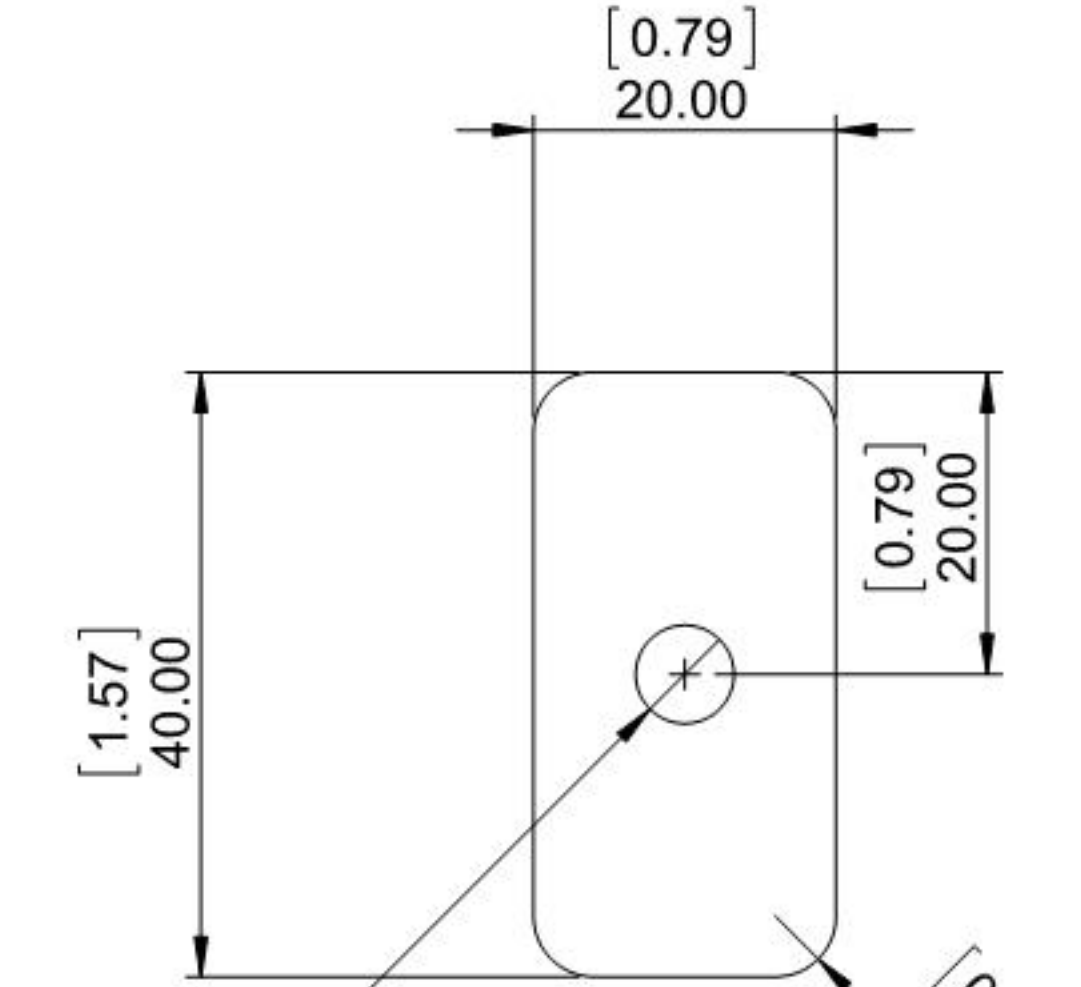
7 Dial Pin  
Steel  
Scale 1:1  
3 Required



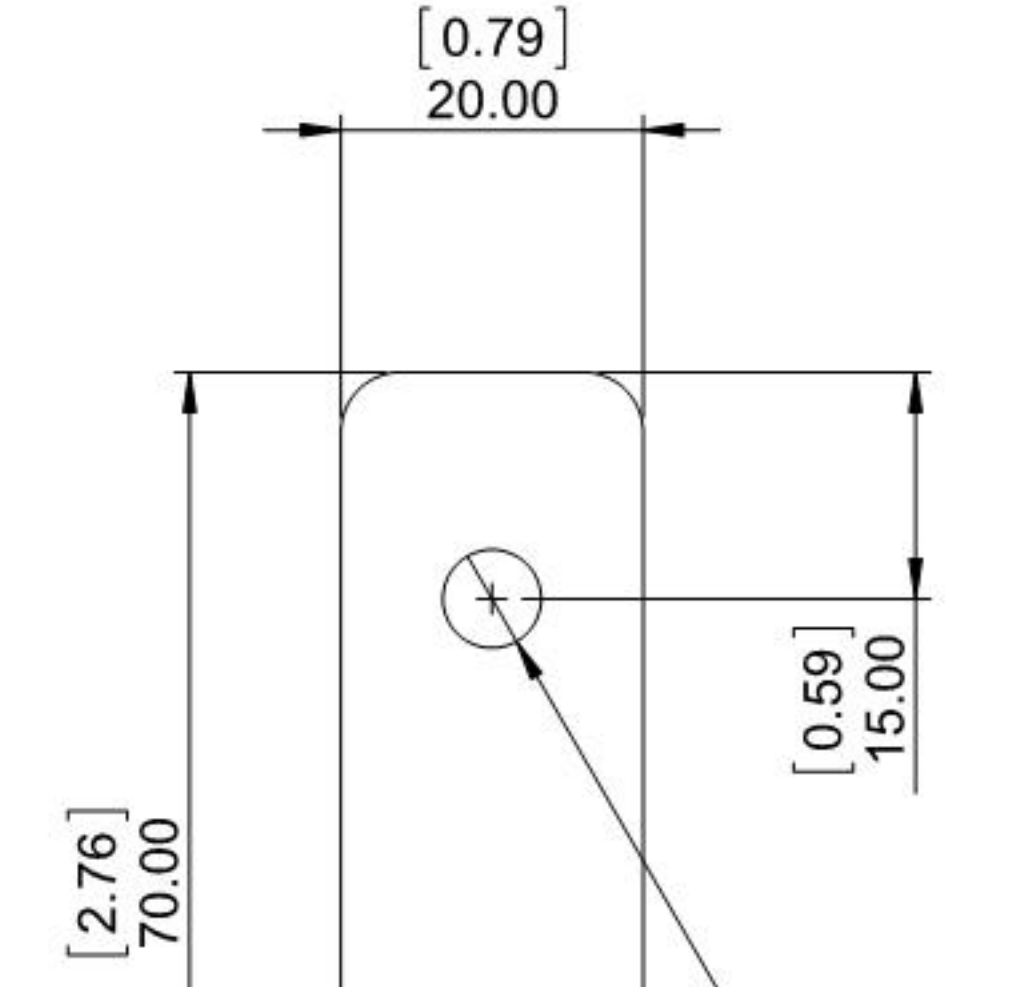
66 Hour Gear 10 Teeth  
Wood 6mm thk  
Scale 1:1  
1 Required



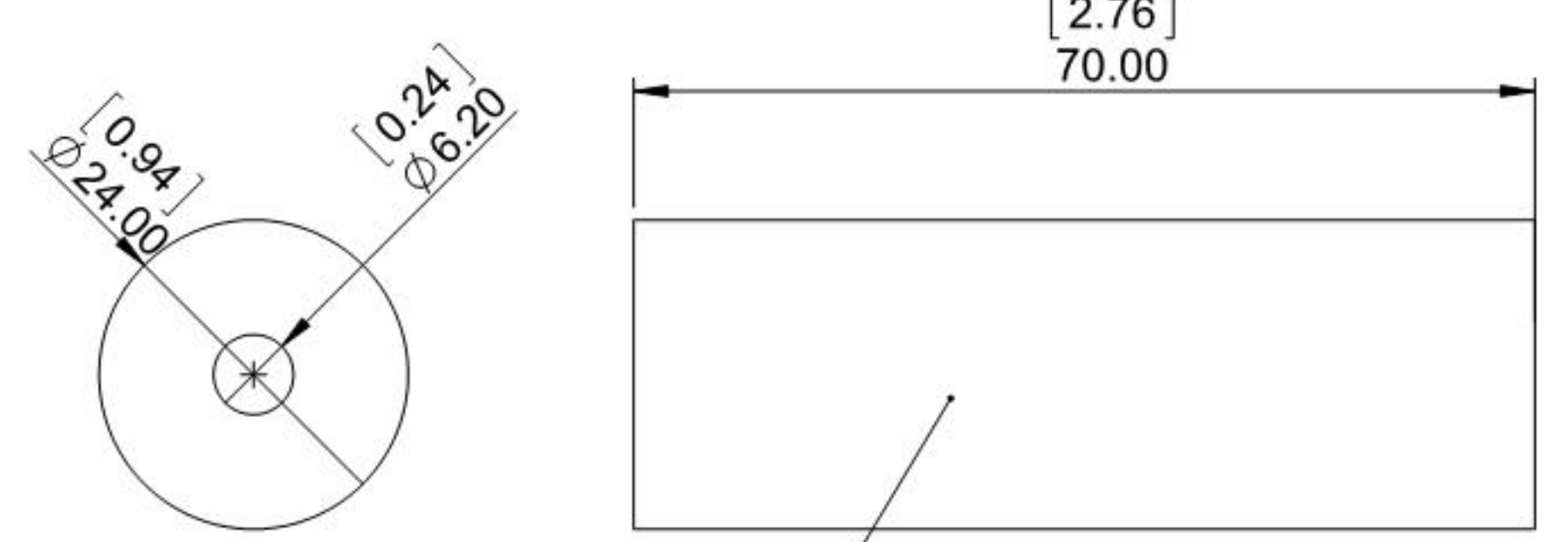
33 Hour Gear 8 Teeth  
Wood 6mm thk  
Scale 1:1  
1 Required



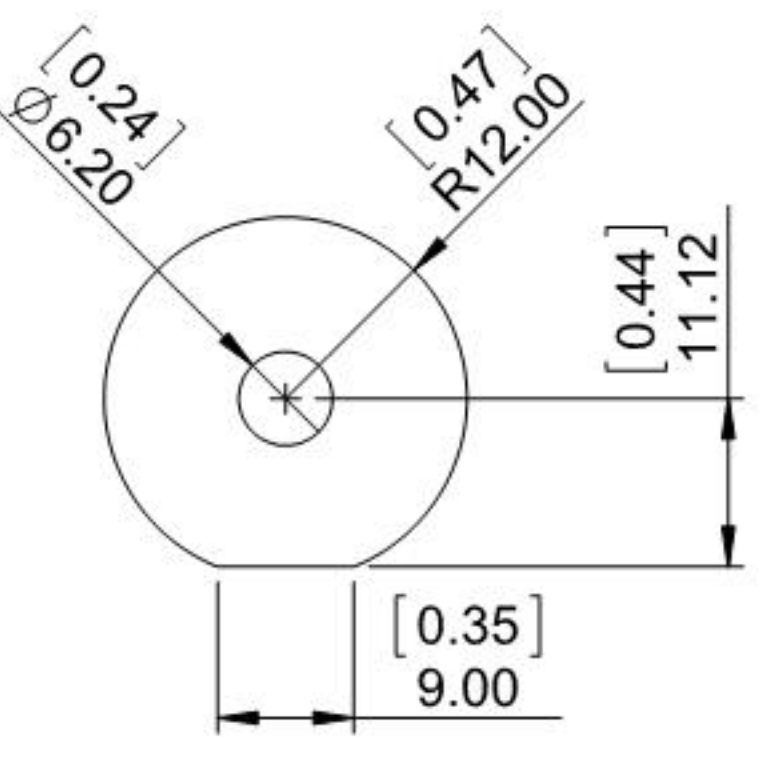
49 Wall Spacer-Short  
Wood 20mm Thick  
Scale 1:1  
1 Required



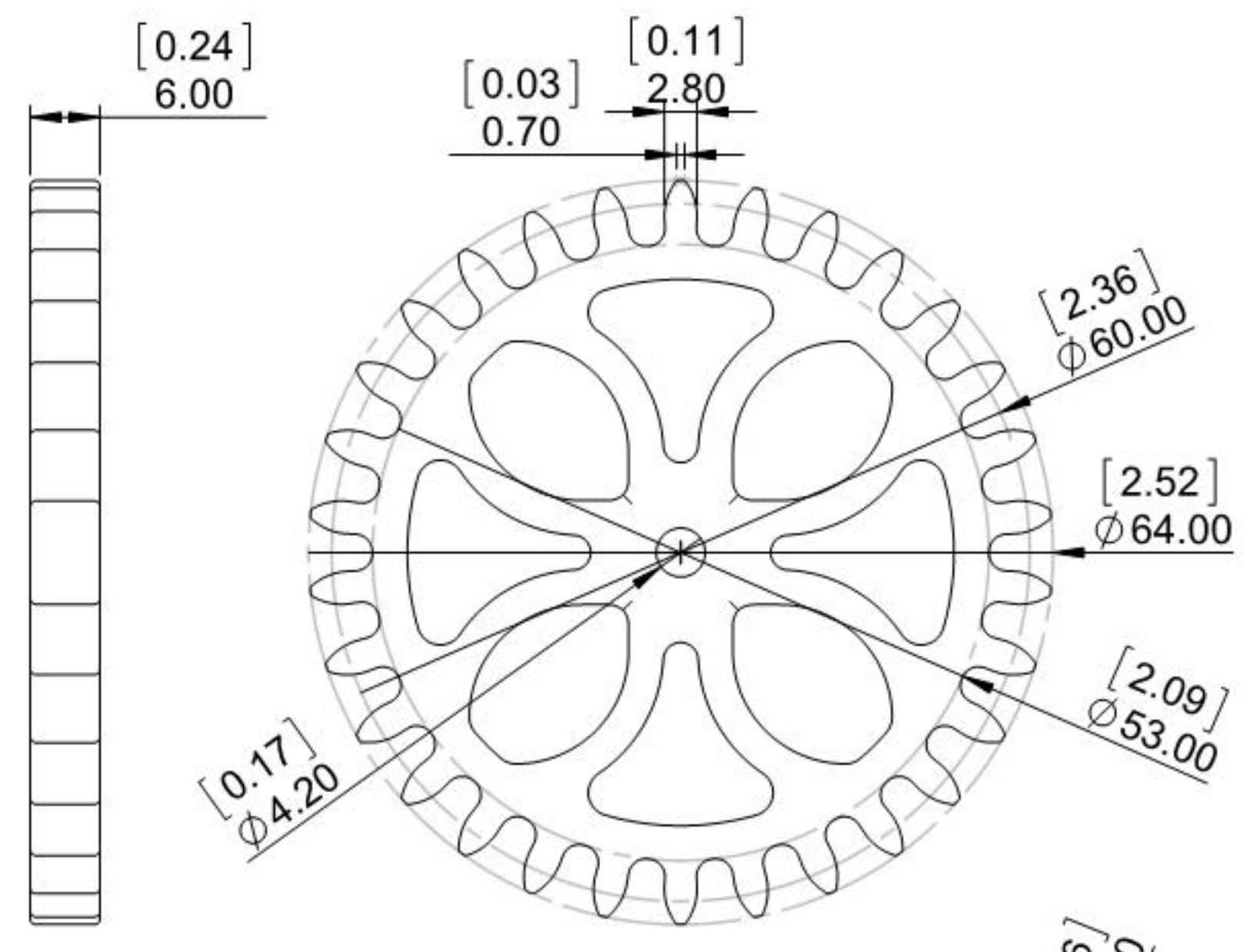
48 Wall Spacer-Long  
Wood 20mm Thick  
Scale 1:1  
1 Required



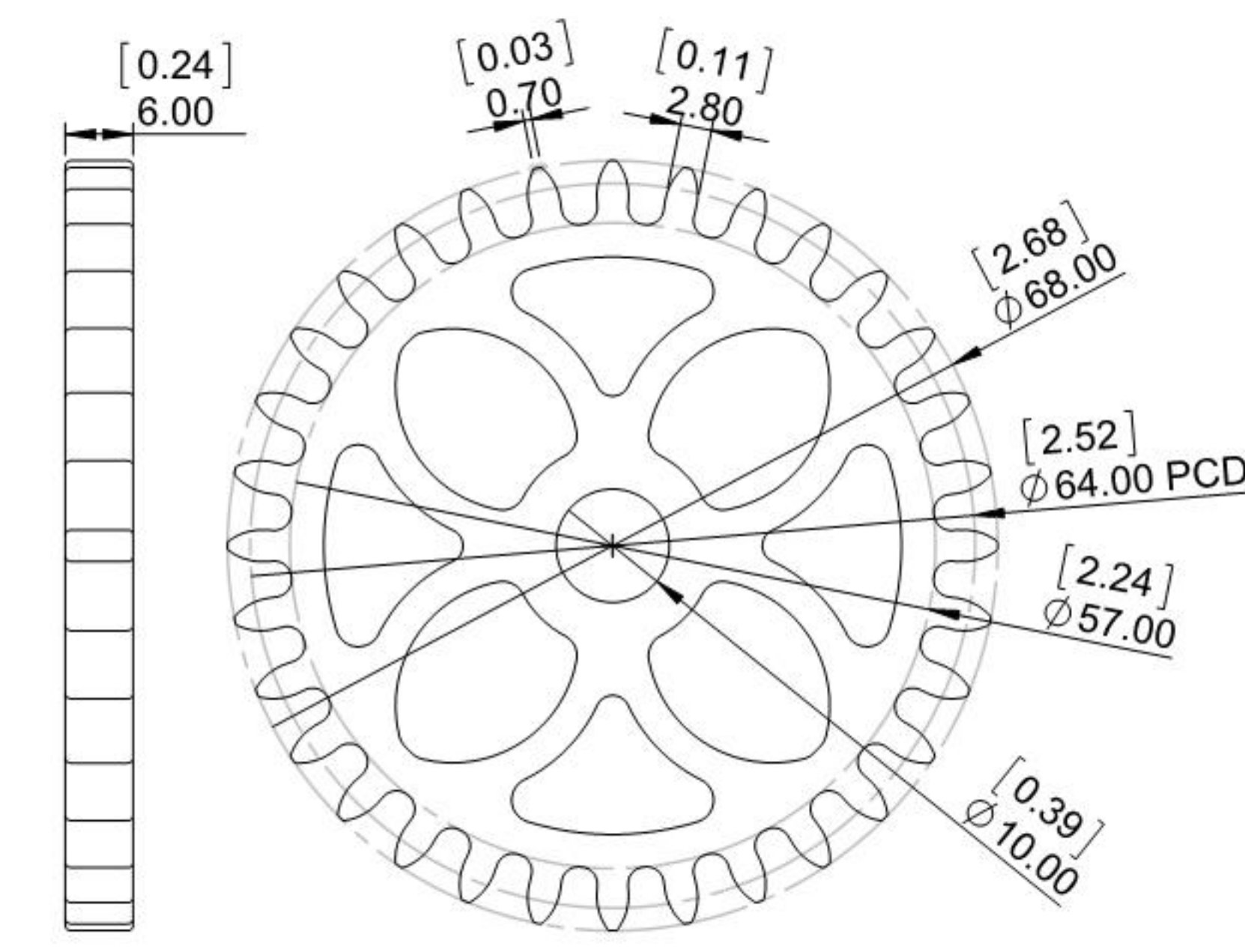
3 Frame Spacer  
Wood Ø24mm  
Scale 1:1  
2 Required



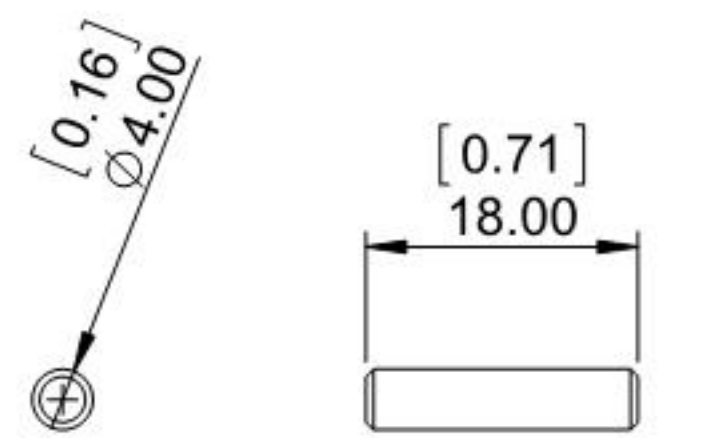
4 Frame Spacer-Flat  
Wood Ø24mm  
Scale 1:1  
1 Required



31 Gear 30 Teeth  
Wood 6mm thk  
Scale 1:1  
1 Required



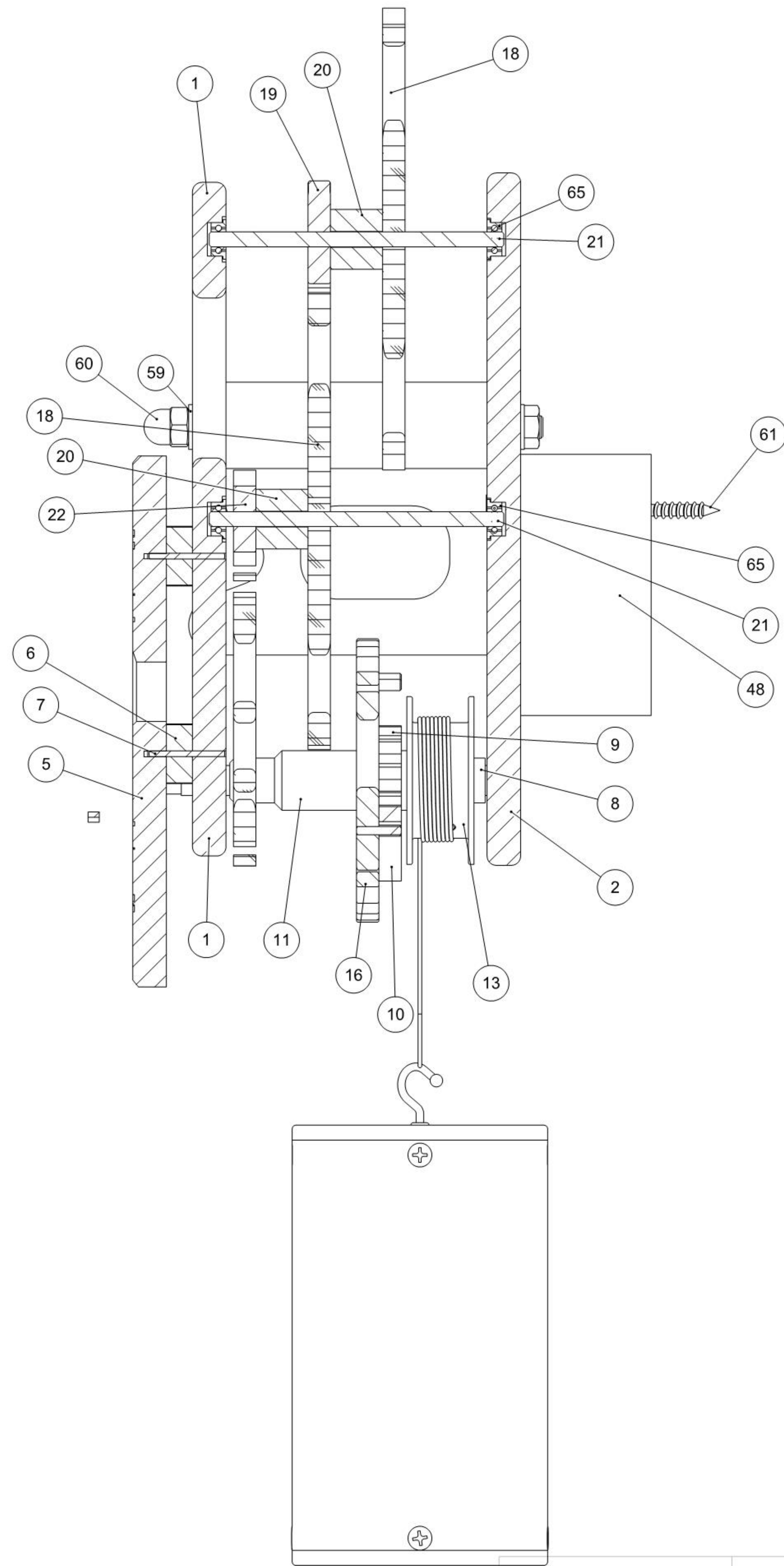
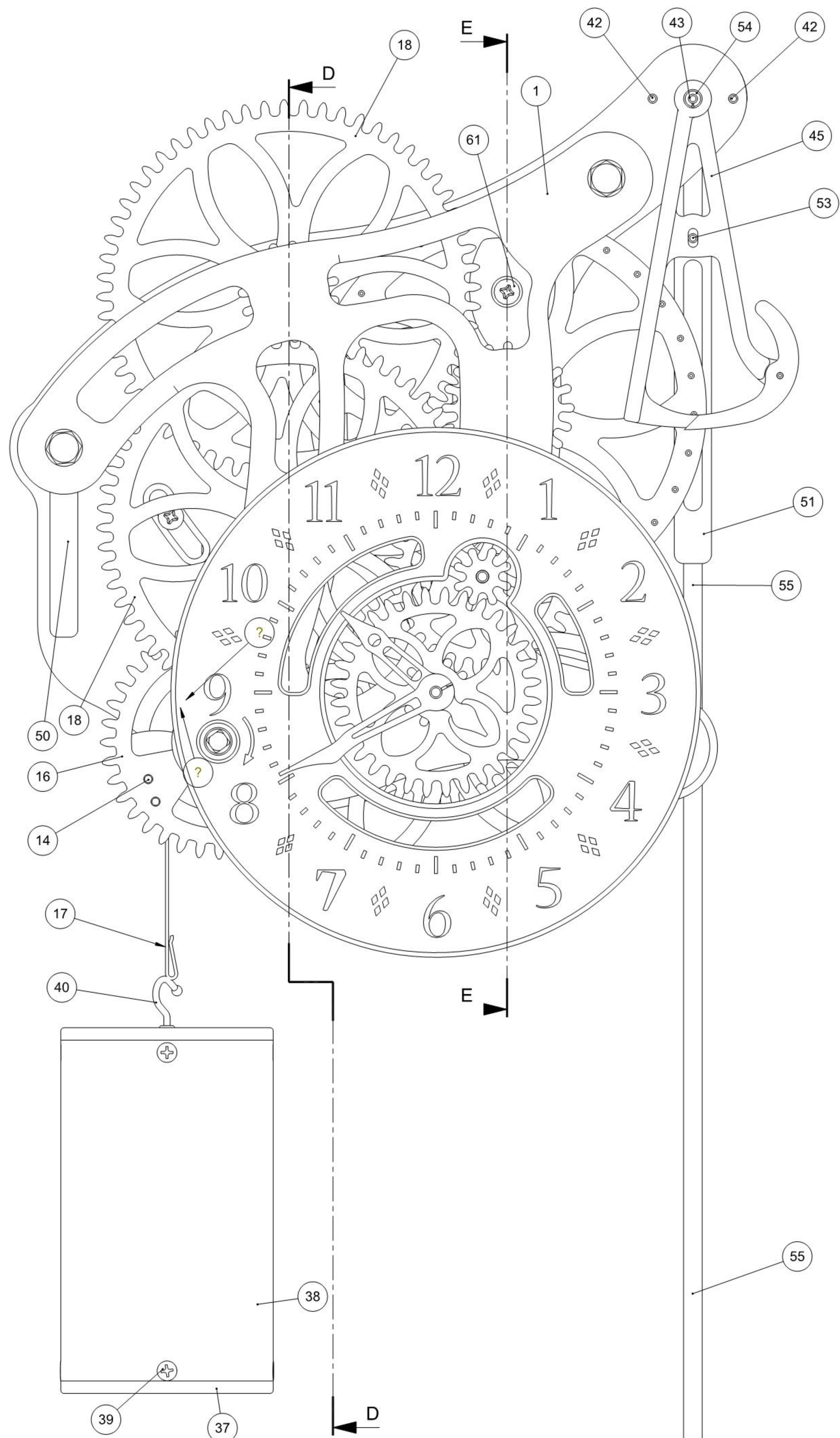
32 Gear 32 Teeth  
Wood 6mm thk  
Scale 1:1  
1 Required



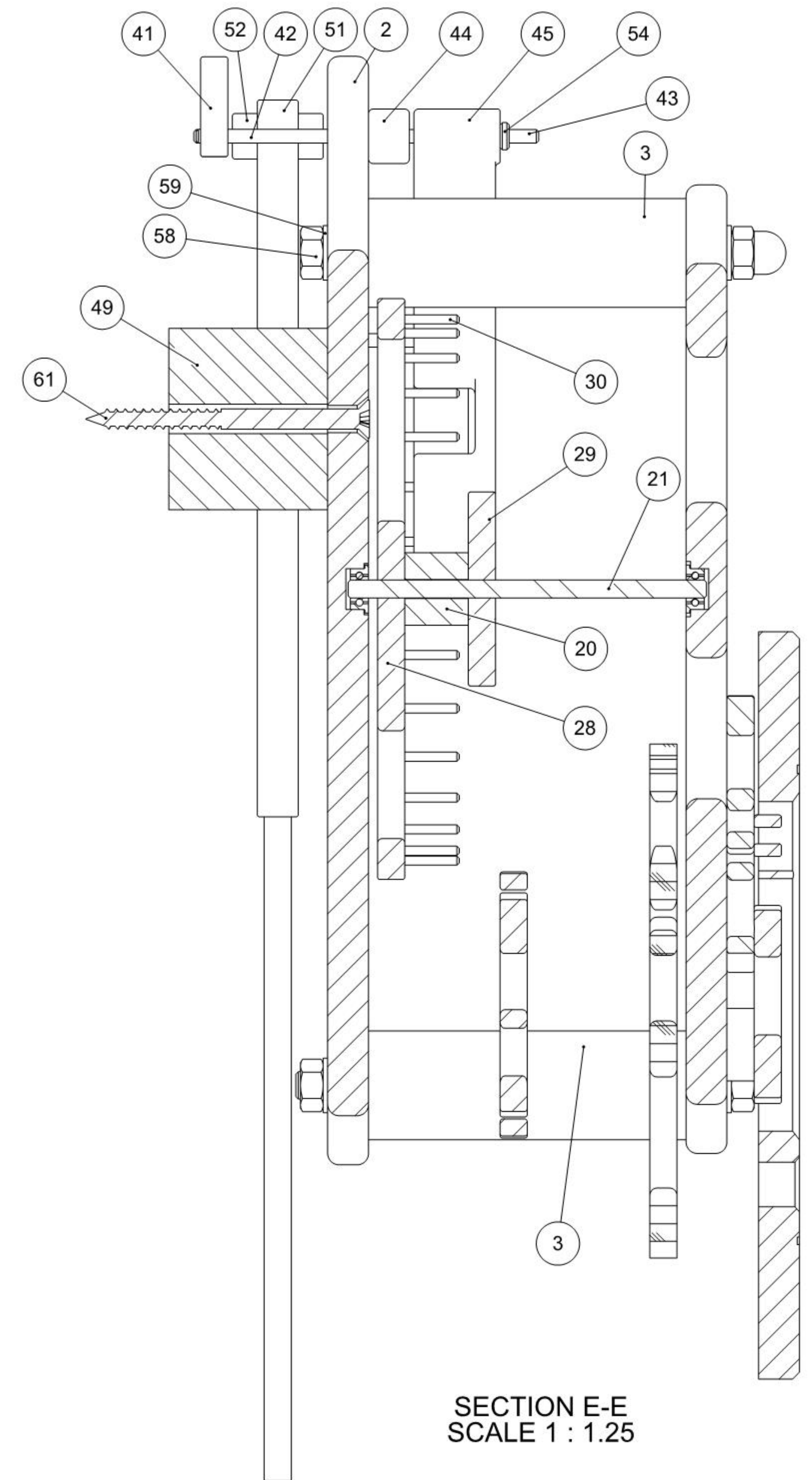
67 Hour Gear Pivot  
Steel  
Scale 1:1  
1 Required

Sht of Shts	A2	Law Wooden Clock 37 - Compact Clock with Pin Wheel Escapement
Not to Scale Unless otherwise stated		All dimensions in mm and (inches) 3rd Angle projection
		Designed by: Brian law www.woodenclocks.co.uk July 2019





SECTION D-D  
SCALE 1 : 1.25

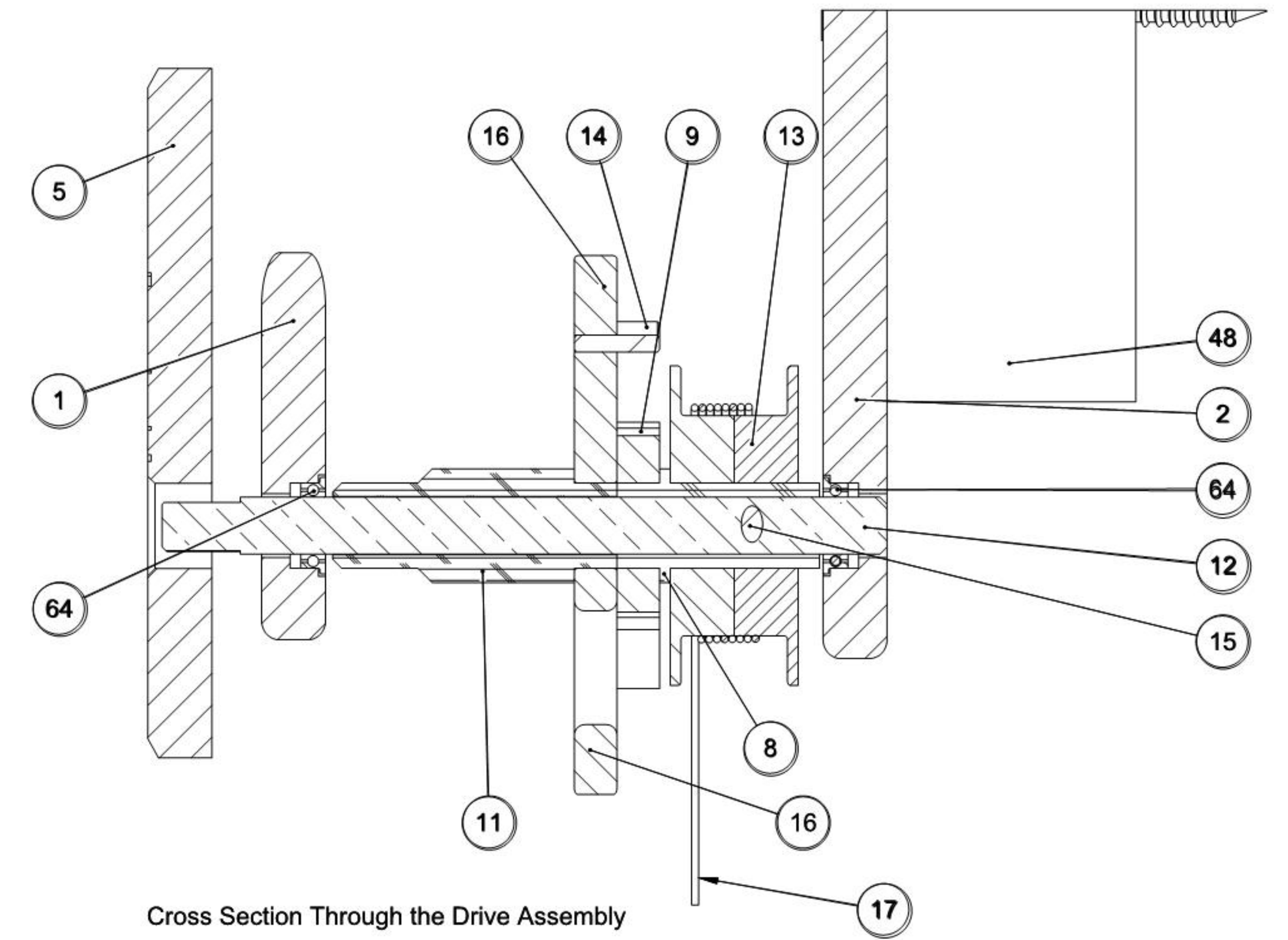
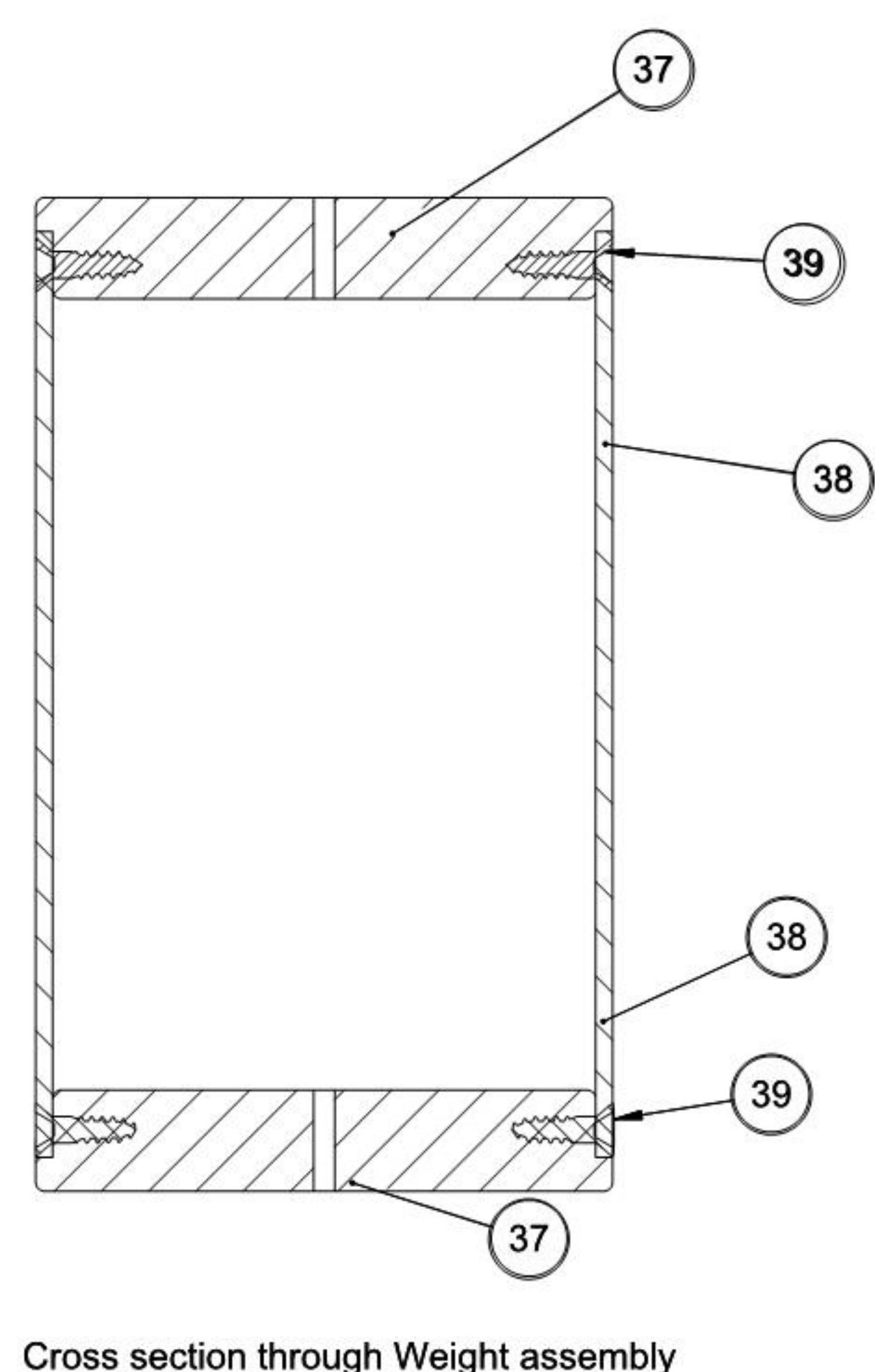
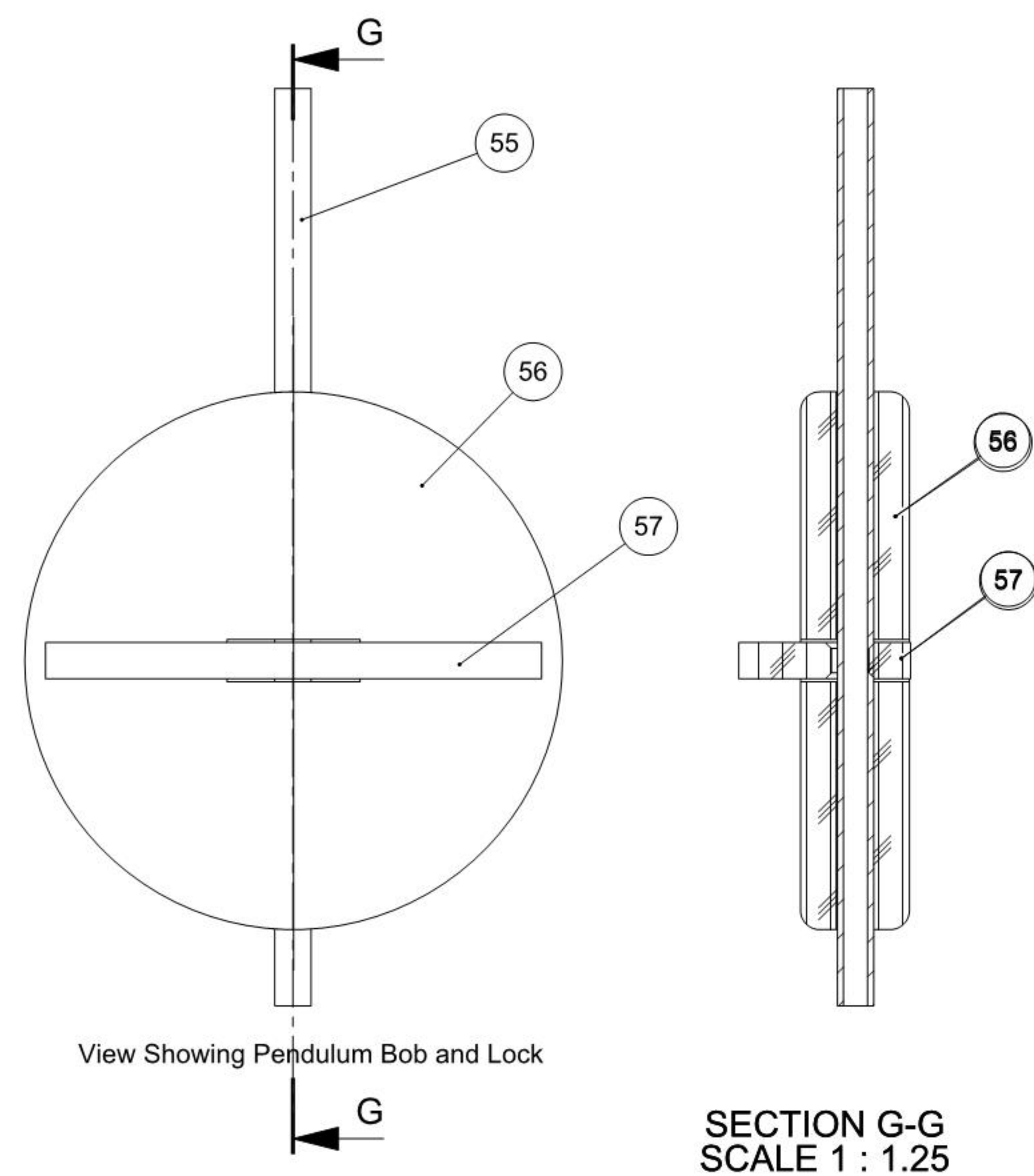


SECTION E-E  
SCALE 1 : 1.25

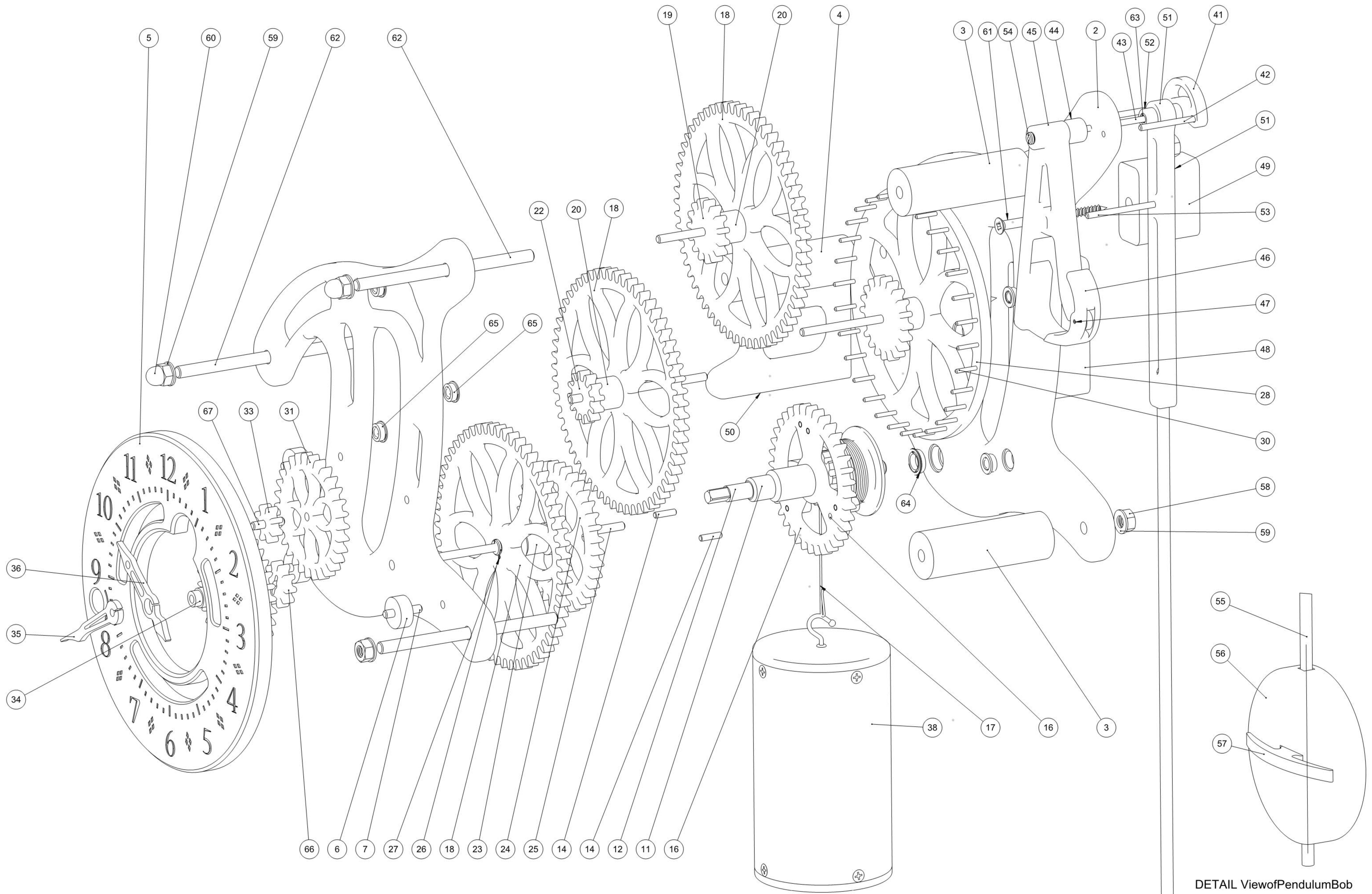
Sht of Shts	A2	Law Wooden Clock 37 - Compact Clock with Pin Wheel Escapement	
Not to Scale Unless otherwise stated		All dimensions in mm and (inches) 3rd Angle projection	Designed by: Brian law www.woodenclocks.co.uk July 2019

ITEM NO.	PART NUMBER	DESCRIPTION	QTY.
1	Clock-37-Front-Frame		1
2	Clock-37-Back-Frame		1
3	Clock-37-Frame-Spacer		2
4	Clock-37-Frame-Spacer-Flat		1
5	Clock-37-Dial-numeric		1
6	Clock-37-Dial-Spacer		3
7	Clock-37-Dial-Pin		3
8	Clock-37-Winder shaft spacer		1
9	Clock-37-Ratchet	Wood 8mm thk	1
10	Clock-37-Winder-Shaft-Pawl		3
11	Clock-37-Winder-Spacer		1
12	Clock-37-Drive-Shaft		1
13	Clock-37-Drum	Wood	1
14	Clock-37-Pawl-Pin		8
15	Clock-37-Pin-Drum		1
16	Clock-37-Drive-Gear-36-Teeth	Wood 8mm thk	1
17	Clock-37-Weight-Cord	Cord Ø0.5mm	1
18	Clock-37-Gears-60-Teeth		3
19	Clock-37-Gear-15-Teeth		1
20	Clock-37-Gear-Spacer-14		3
21	Clock-37-Winder-shaft-79		3
22	Clock-37-Gear-12-Teeth		1
23	Clock-37-Gear-Spacer-27		1
24	Clock-37-Gear-36-Teeth	Wood 8mm thk	1
25	Clock-37-Minute-Shaft		1
26	Clock-37-End-stop-4		1
27	Clock-37-Minute-Shaft-Pin		1
28	Clock-37-Pin-Wheel		1
29	Clock-37-Gear-20-Teeth		1
30	Pin 18	Silver Steel Ø2x18	30
31	Clock-37-Hour-Gears-30-Teeth	Wood 8mm thk	1
32	Clock-37-Hour-Gears-32-Teeth	Wood 8mm thk	1
33	Clock-37-Hour-Gears-8-Teeth	Wood 8mm thk	1
34	Clock-37-Hour-Tube	Wood	1

ITEM NO.	PART NUMBER	DESCRIPTION	QTY.
35	Clock-37-Minute-Hand		1
36	Clock-37-Hour-Hand		1
37	Weight - End Plug	Wood 9mm thk	2
38	Clock-37-Weight-Tube	TubeØ68x2x150	1
39	Flat Head Screw No 5		8
40	Screw in Hook		1
41	Clock-37-Escapement-Support		1
42	Clock-37-Escapement-Support-Pin		2
43	Clock-37-Escapement-Pivot-Pin		1
44	Clock-37-Escapement-Spacer		1
45	Clock 37-Pin-wheel-Escape Lever		1
46	Clock-37-Escape-Catch		1
47	Clock-37-Escape-Catch-Pin		1
48	Clock-37-Wall-Spacer-long		1
49	Clock-37-Wall-Spacer-short		1
50	Clock-37-Brace		1
51	Clock-37-Pendulum-Head		1
52	Clock-37-Pendulum-Head-Sleeve		1
53	Escapement-Pendulum-Pin		1
54	Clock-37-End-stop-2		1
55	Clock-37-Pendulum-Rod		1
56	Clock-37-Pendulum-Bob	Wood	1
57	Clock-37-Pendulum-Lock	Wood	1
58	M6 Nut	Brass	4
59	M6 Washer	Brass	6
60	Domed-nut-M6	Brass	2
61	Woodscrew_No4_5x60	Brass	2
62	Clock-37-Threaded-Rod	M6 Threaded rod	3
63	Needle-Roller-Bearing-3mm-bore	HK0306TN	4
64	Bearing-Flanged-Ø8-Ø12x4mm	SMF128ZZ	2
65	Bearing Flanged Ø4xØ9x4mm	SF684ZZ	8
66	Clock-37-Hour-Gears-10-Teeth	Wood 8mm thk	1
67	Clock-37-Hour Gears Pivot		1

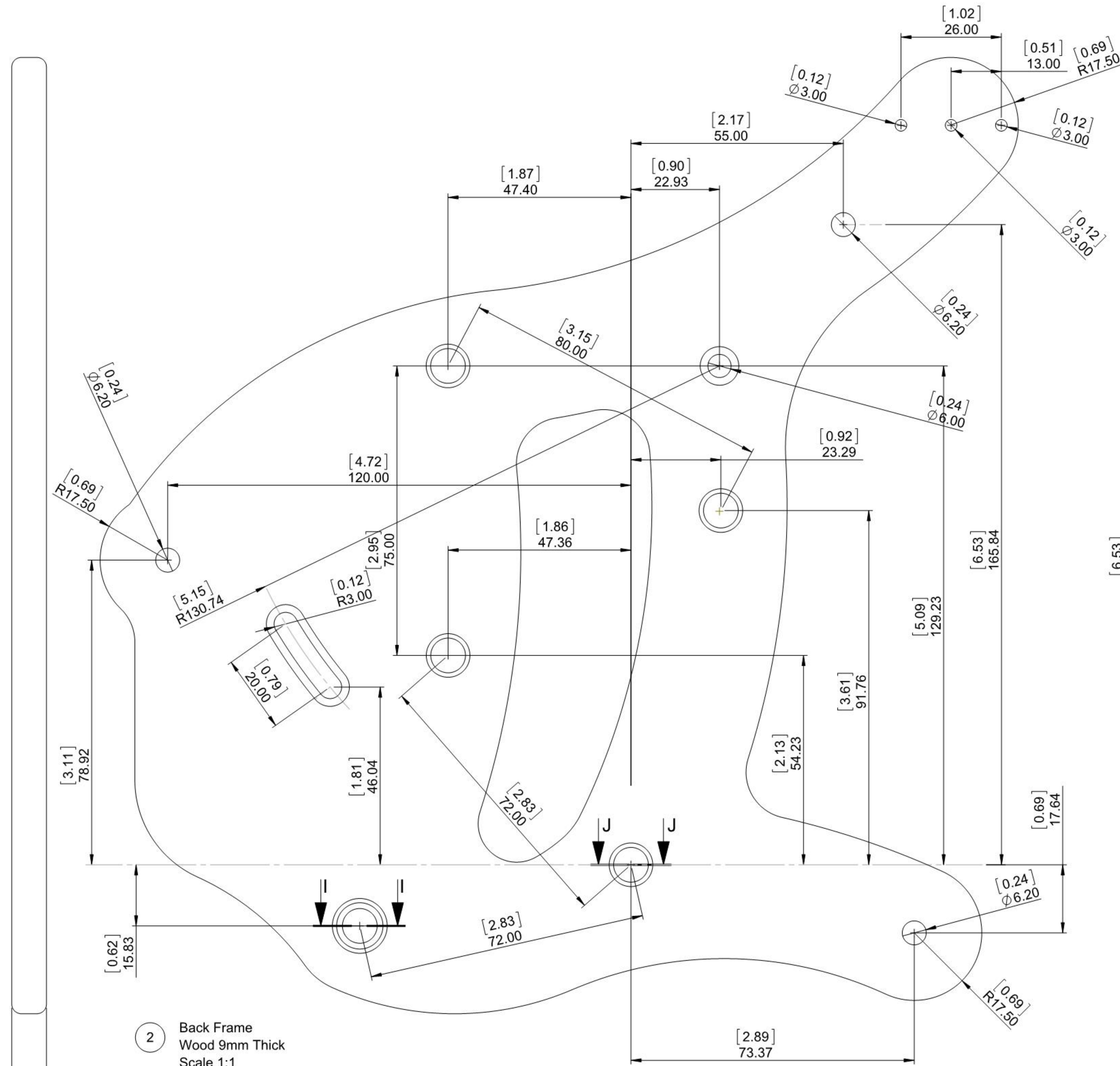


Sht of Shts	A2	Law Wooden Clock 37 - Compact Clock with Pin Wheel Escapement	
Not to Scale Unless otherwise stated		All dimensions in mm and (inches) 3rd Angle projection	Designed by: Brian law www.woodenclocks.co.uk July 2019

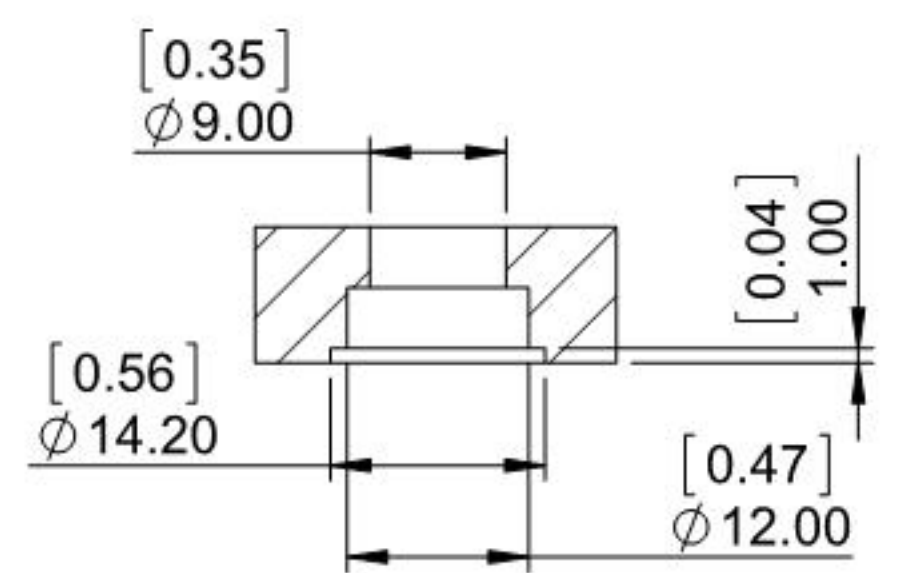


DETAIL View of Pendulum Bob

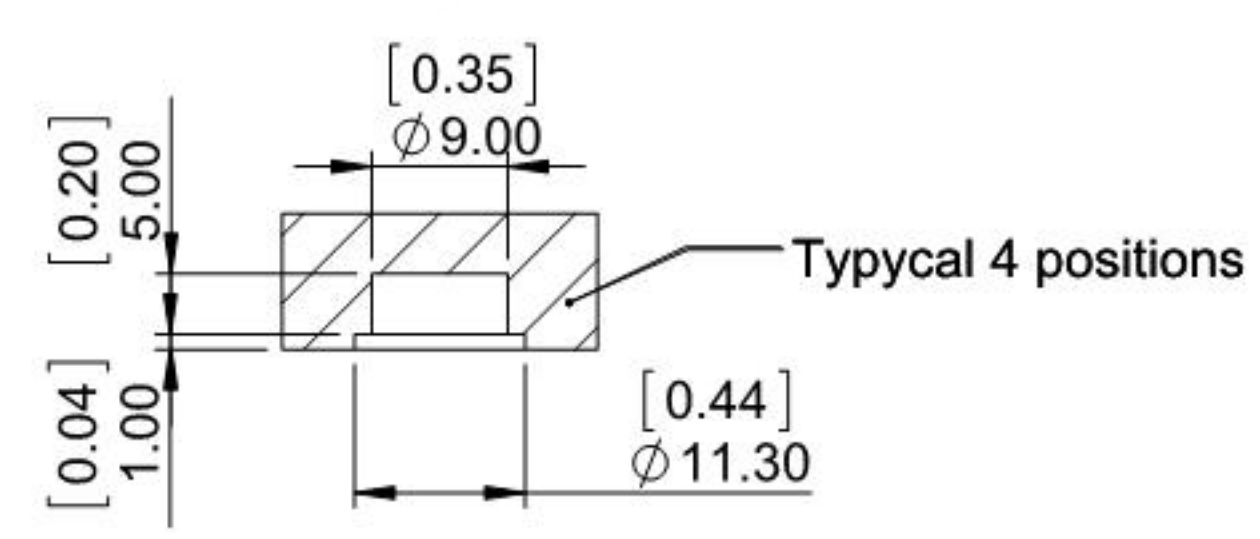
Sht of Shts	A2	Law Wooden Clock 37 - Compact Clock with Pin Wheel Escapement	
Not to Scale Unless otherwise stated		All dimensions in mm and (inches) 3rd Angle projection	Designed by: Brian law www.woodenclocks.co.uk July 2019



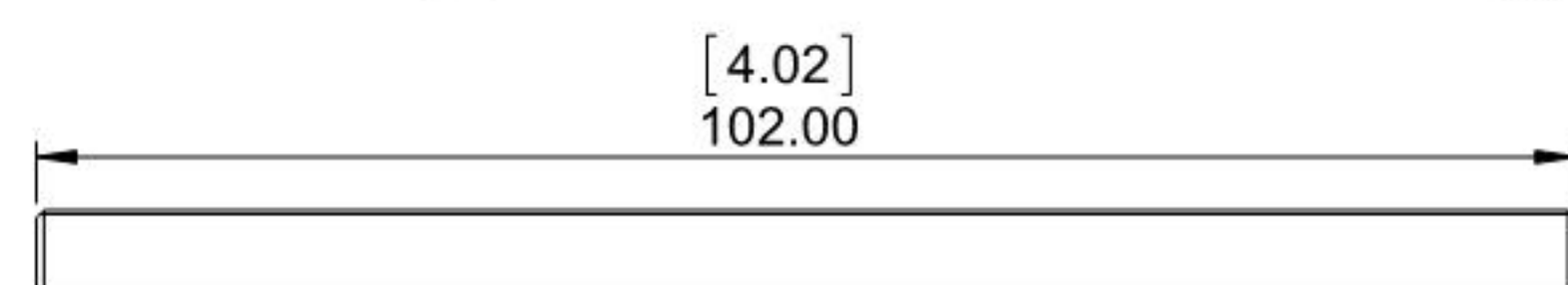
2 Back Frame  
Wood 9mm Thick  
Scale 1:1



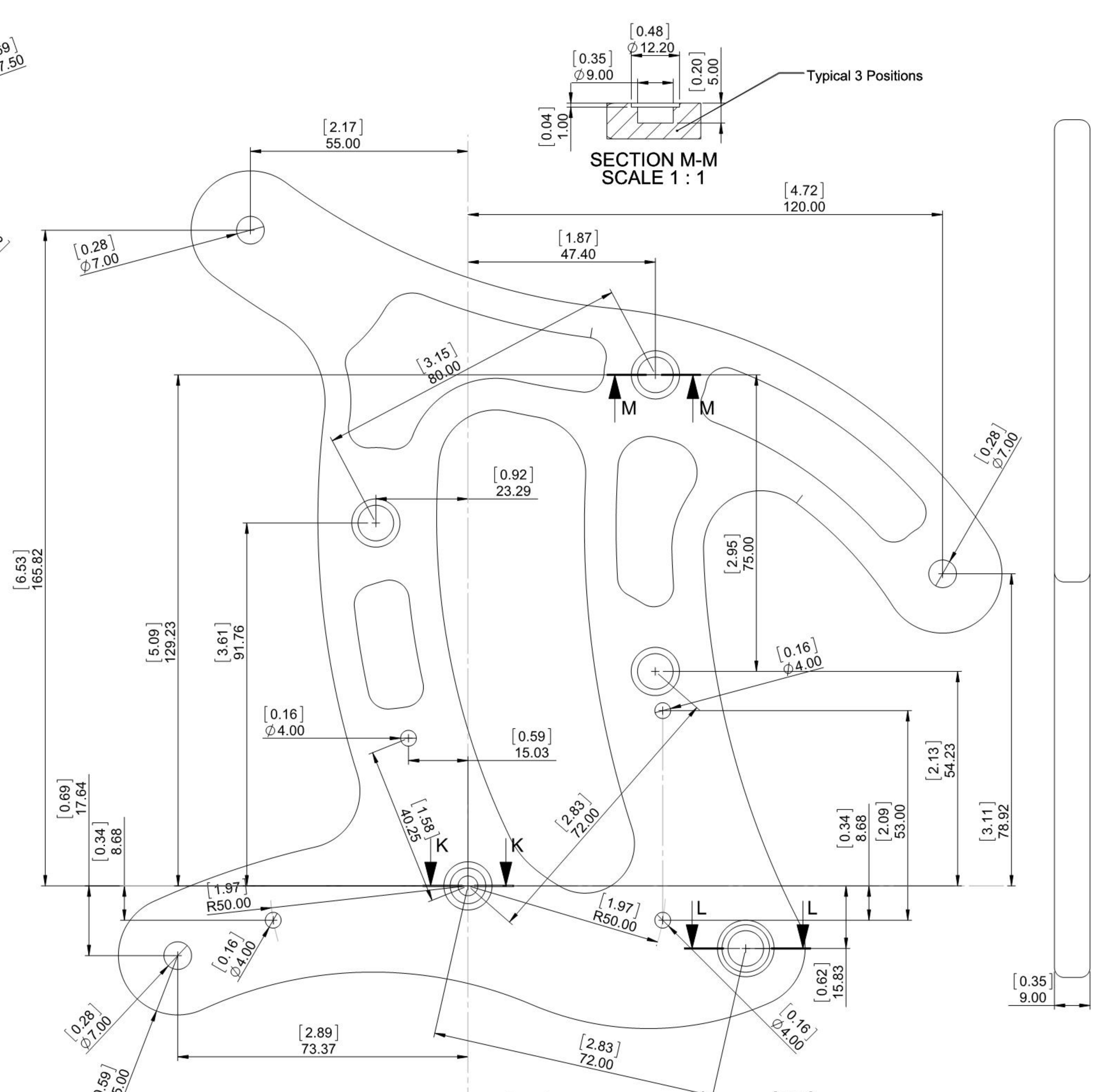
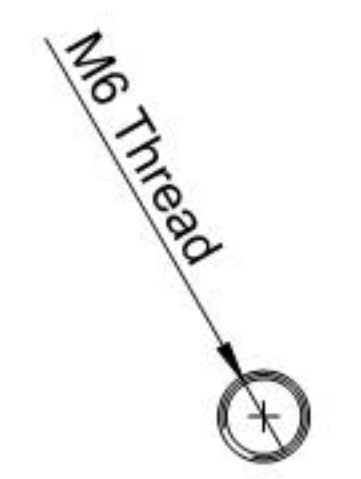
SECTION I-I  
SCALE 1:1



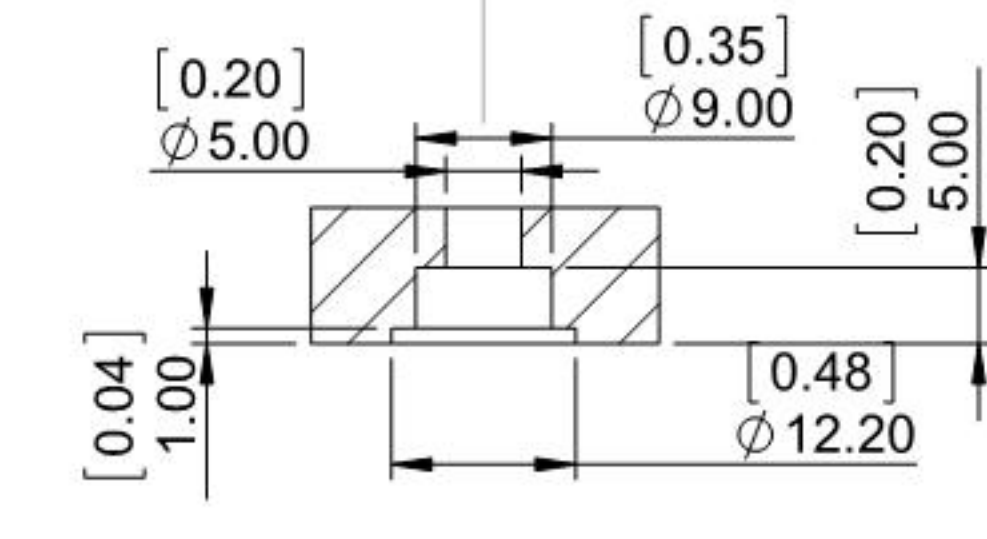
SECTION J-J  
SCALE 1:1



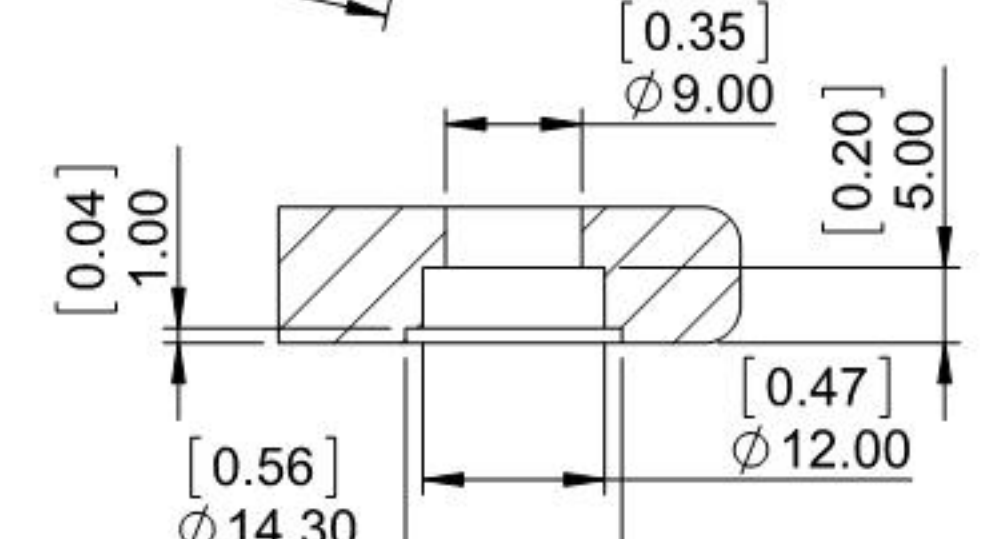
62 Threaded Rod  
Stainless Steel  
Scale 1:1  
3 Required



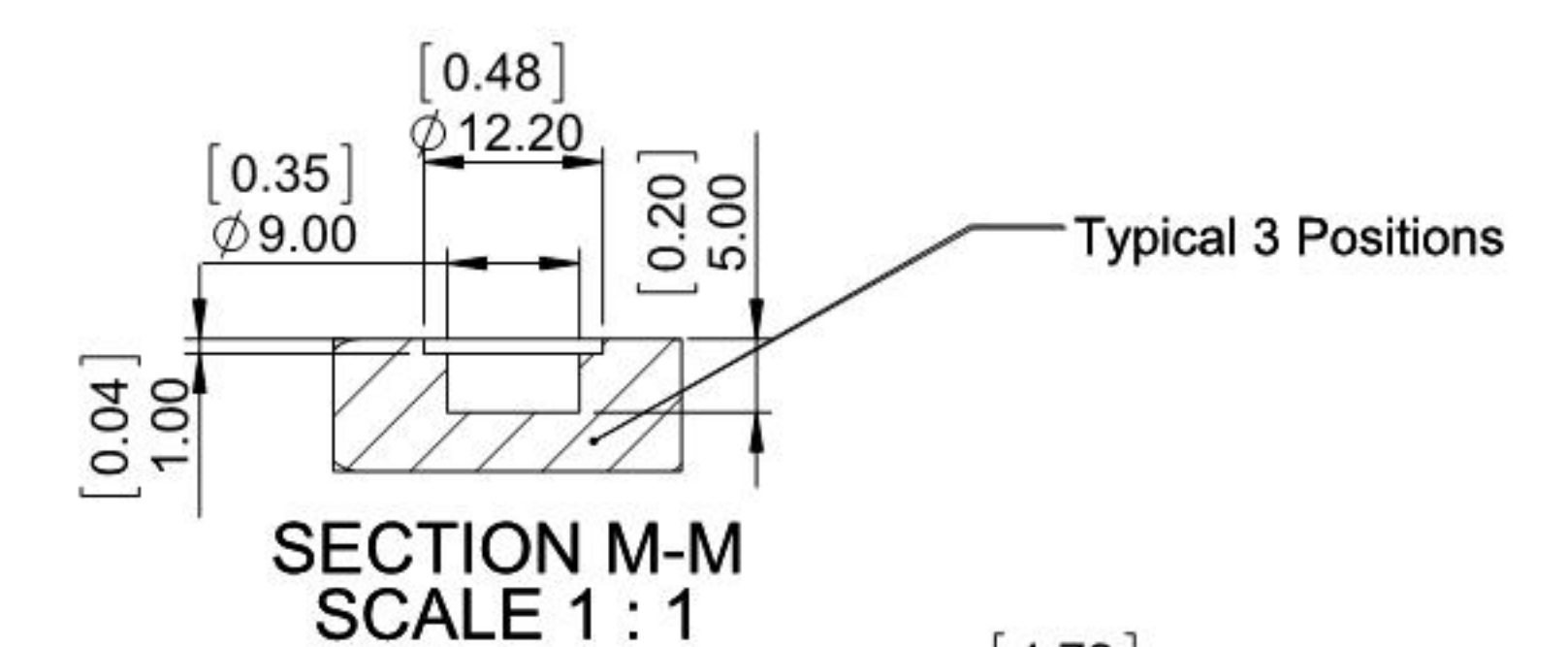
1 Front Frame  
Wood 9mm Thick  
Scale 1:1



SECTION K-K  
SCALE 1:1



SECTION L-L  
SCALE 1:1



SECTION M-M  
SCALE 1:1

Sht of Shts	A2	Law Wooden Clock 37 - Compact Clock with Pin Wheel Escapement	
Not to Scale Unless otherwise stated		All dimensions in mm and (inches) 3rd Angle projection	Designed by: Brian law www.woodenclocks.co.uk July 2019