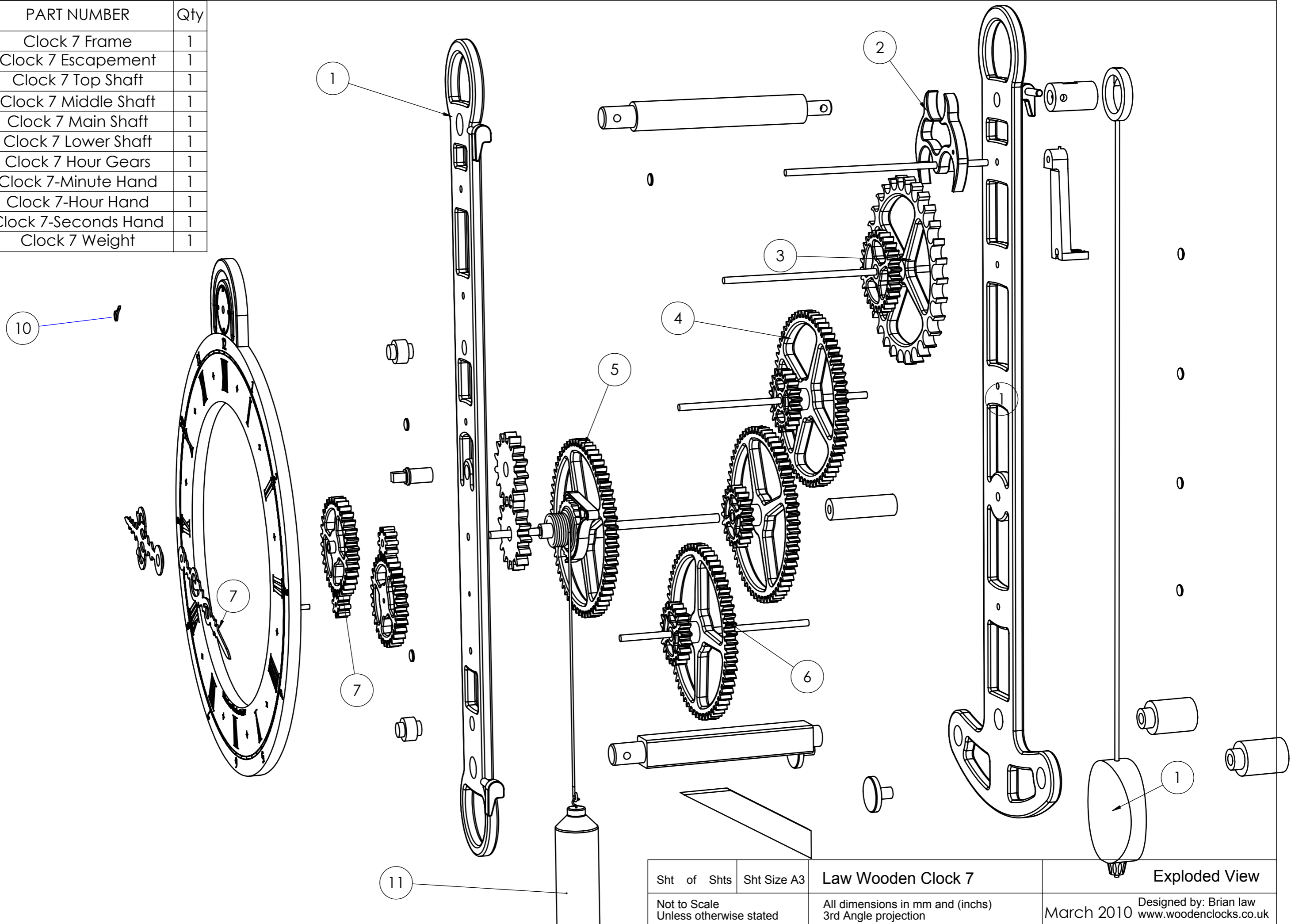
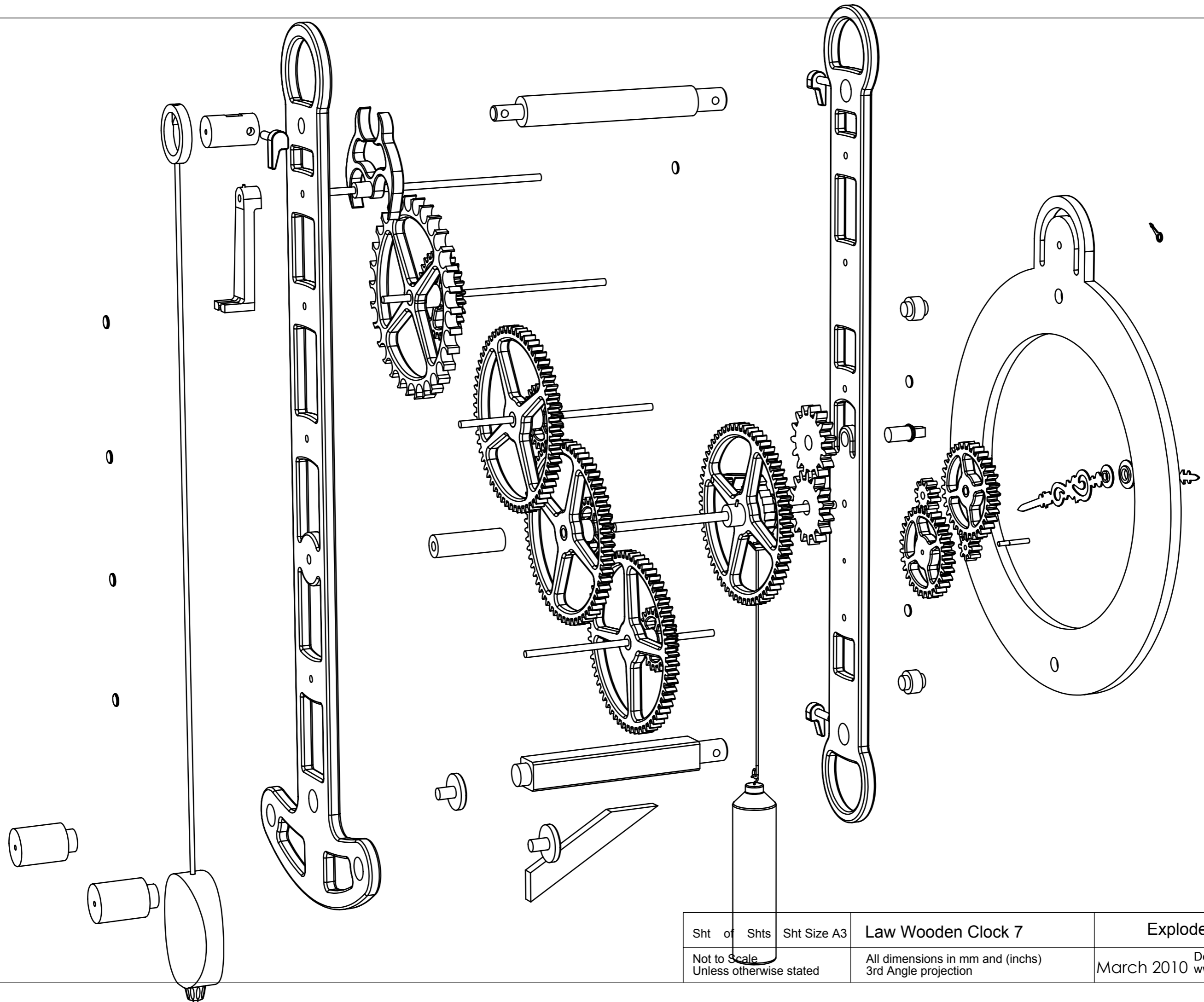


Sht of Shts	Sht Size A3	Law Wooden Clock 7	General Assembly
Not to Scale Unless otherwise stated		All dimensions in mm and (inches) 3rd Angle projection	Designed by: Brian law March 2010 www.woodenclocks.co.uk

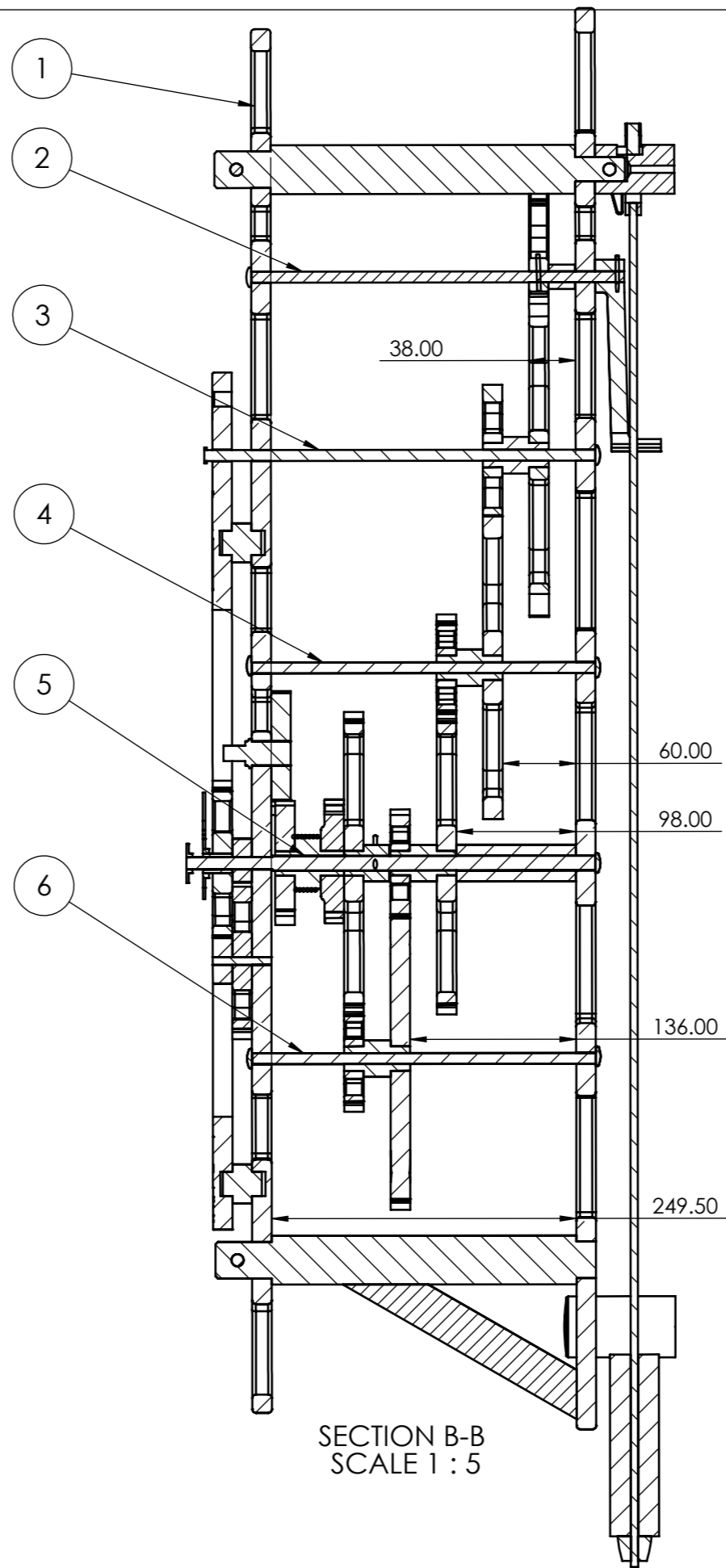
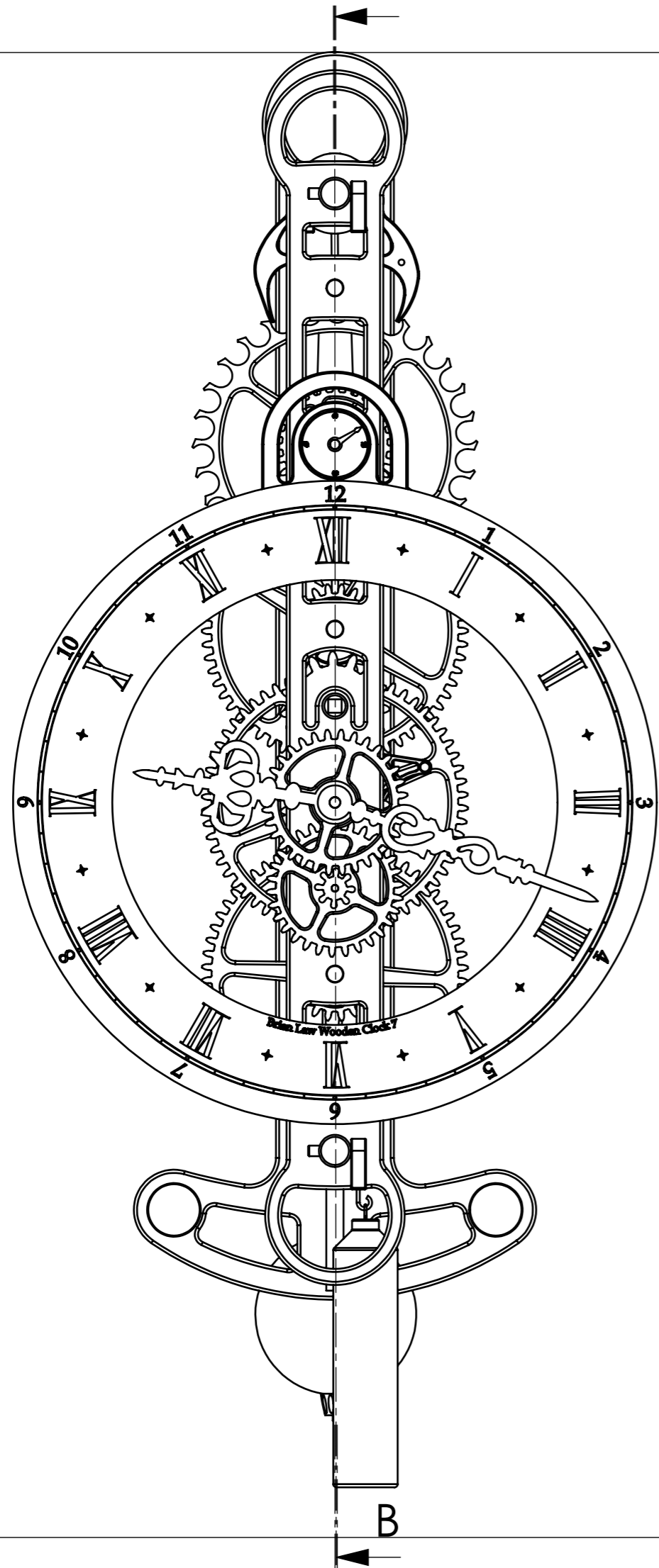
ITEM NO.	PART NUMBER	Qty
1	Clock 7 Frame	1
2	Clock 7 Escapement	1
3	Clock 7 Top Shaft	1
4	Clock 7 Middle Shaft	1
5	Clock 7 Main Shaft	1
6	Clock 7 Lower Shaft	1
7	Clock 7 Hour Gears	1
8	Clock 7-Minute Hand	1
9	Clock 7-Hour Hand	1
10	Clock 7-Seconds Hand	1
11	Clock 7 Weight	1



Sht of Shts	Sht Size A3	Law Wooden Clock 7	Exploded View
Not to Scale Unless otherwise stated		All dimensions in mm and (inches) 3rd Angle projection	March 2010 Designed by: Brian law www.woodenclocks.co.uk

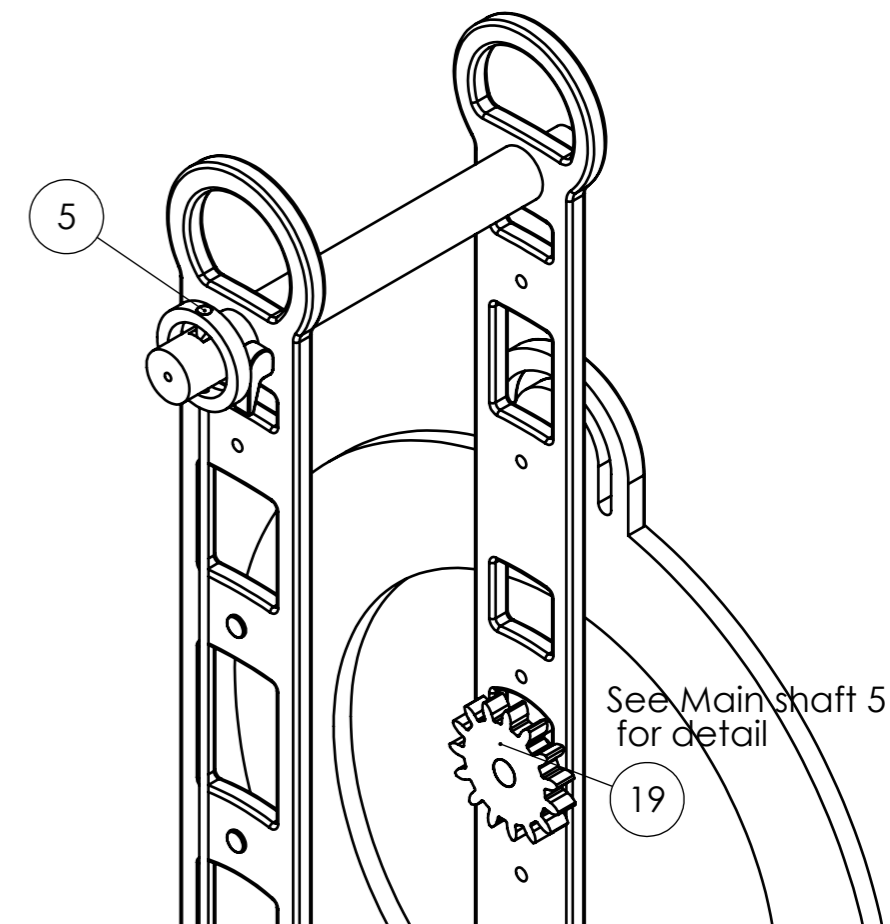
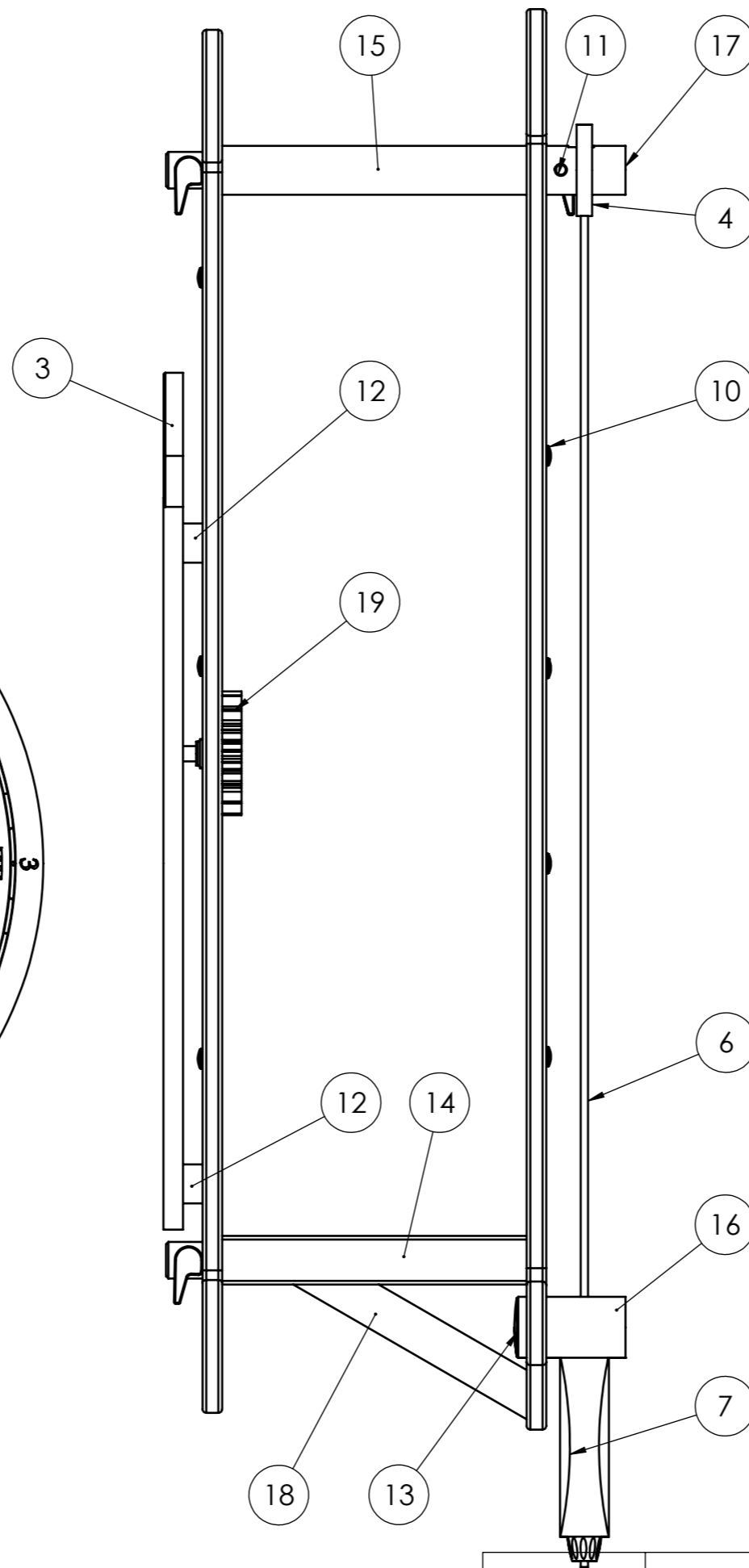
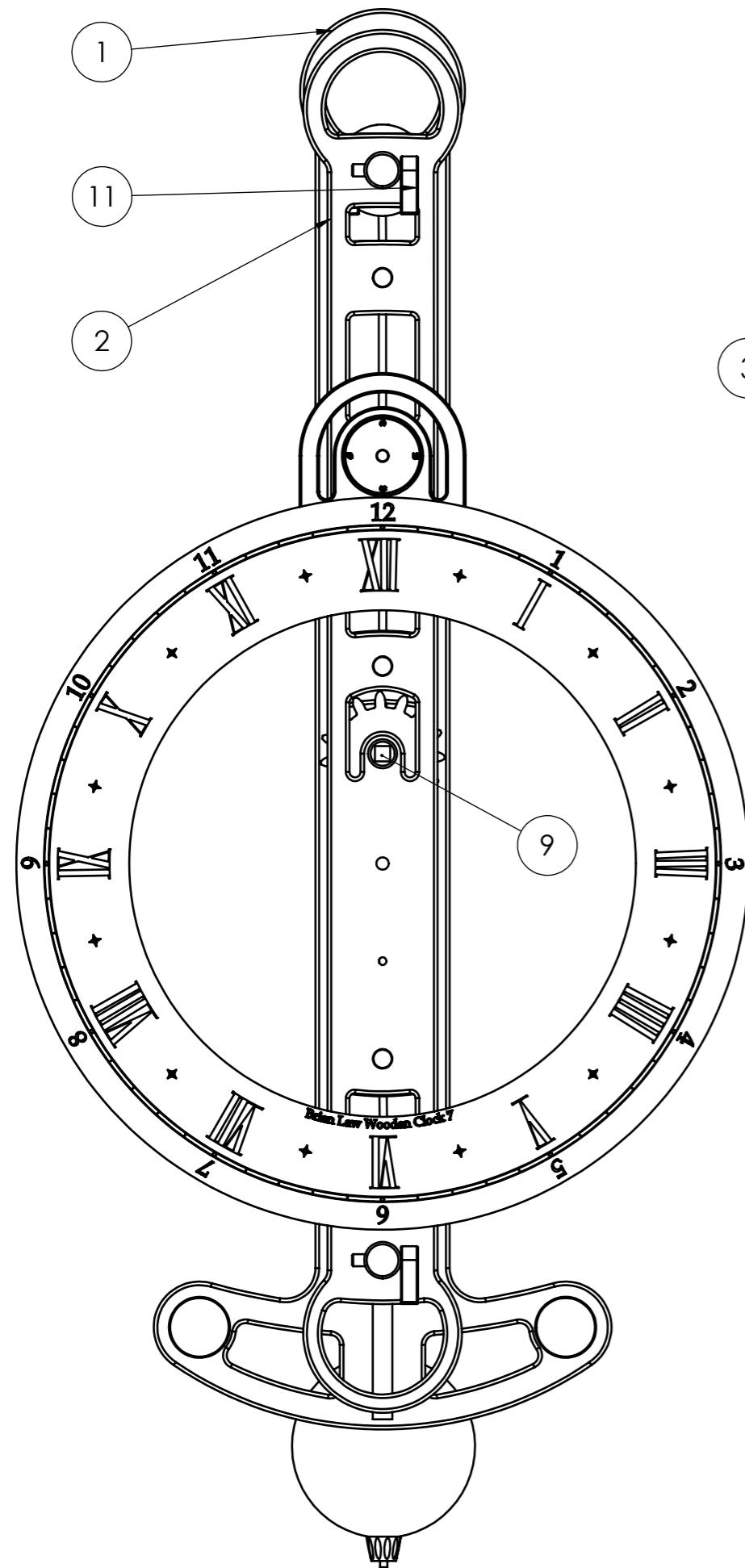


Sht of Shts	Sht Size A3	Law Wooden Clock 7	Exploded View - 2
Not to Scale Unless otherwise stated		All dimensions in mm and (inches) 3rd Angle projection	Designed by: Brian law March 2010 www.woodenclocks.co.uk



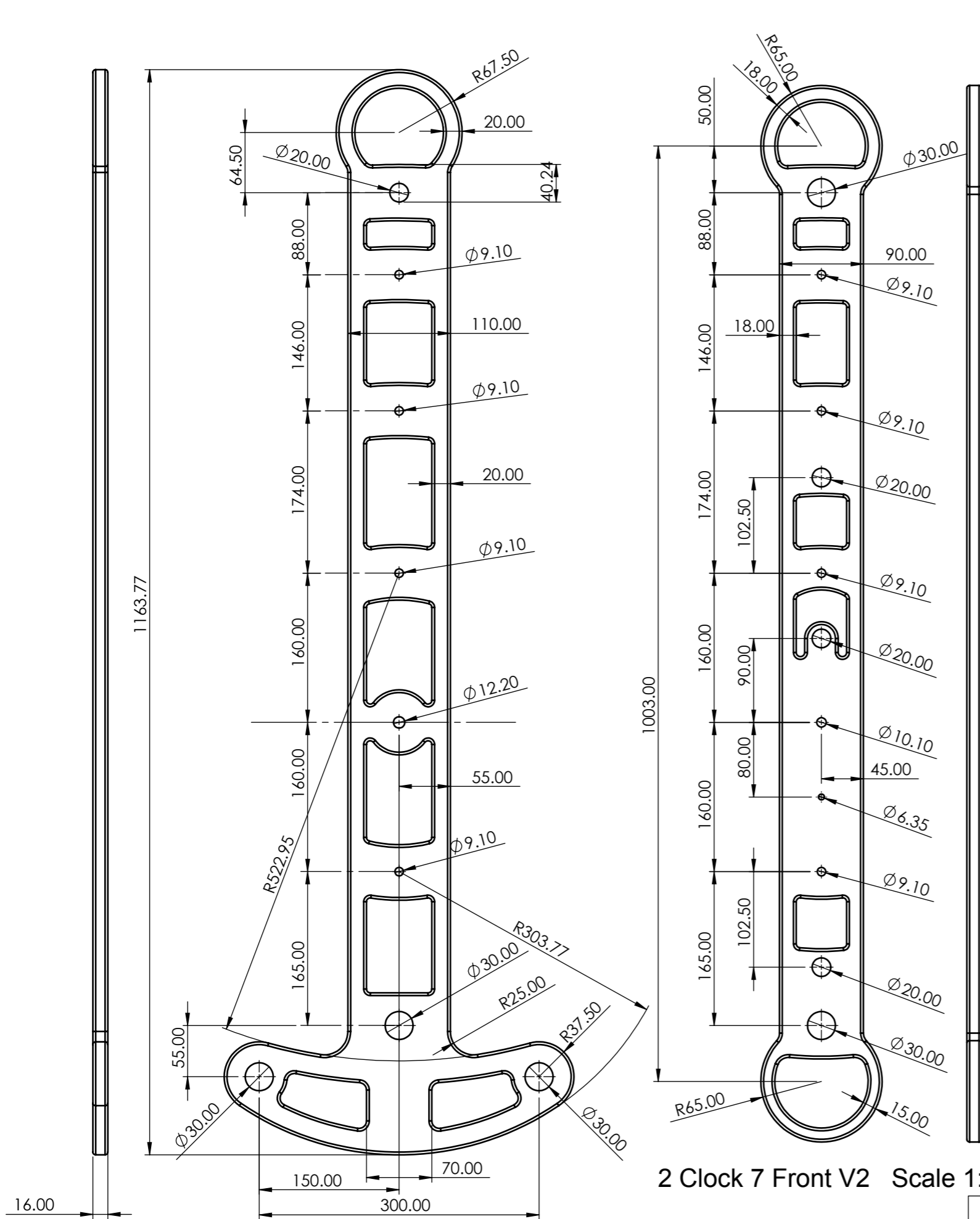
SECTION B-B
SCALE 1 : 5

Sht of Shts	Sht Size A3	Law Wooden Clock 7	Assembly Cross section
Not to Scale Unless otherwise stated		All dimensions in mm and (inches) 3rd Angle projection	March 2010 Designed by: Brian law www.woodenclocks.co.uk



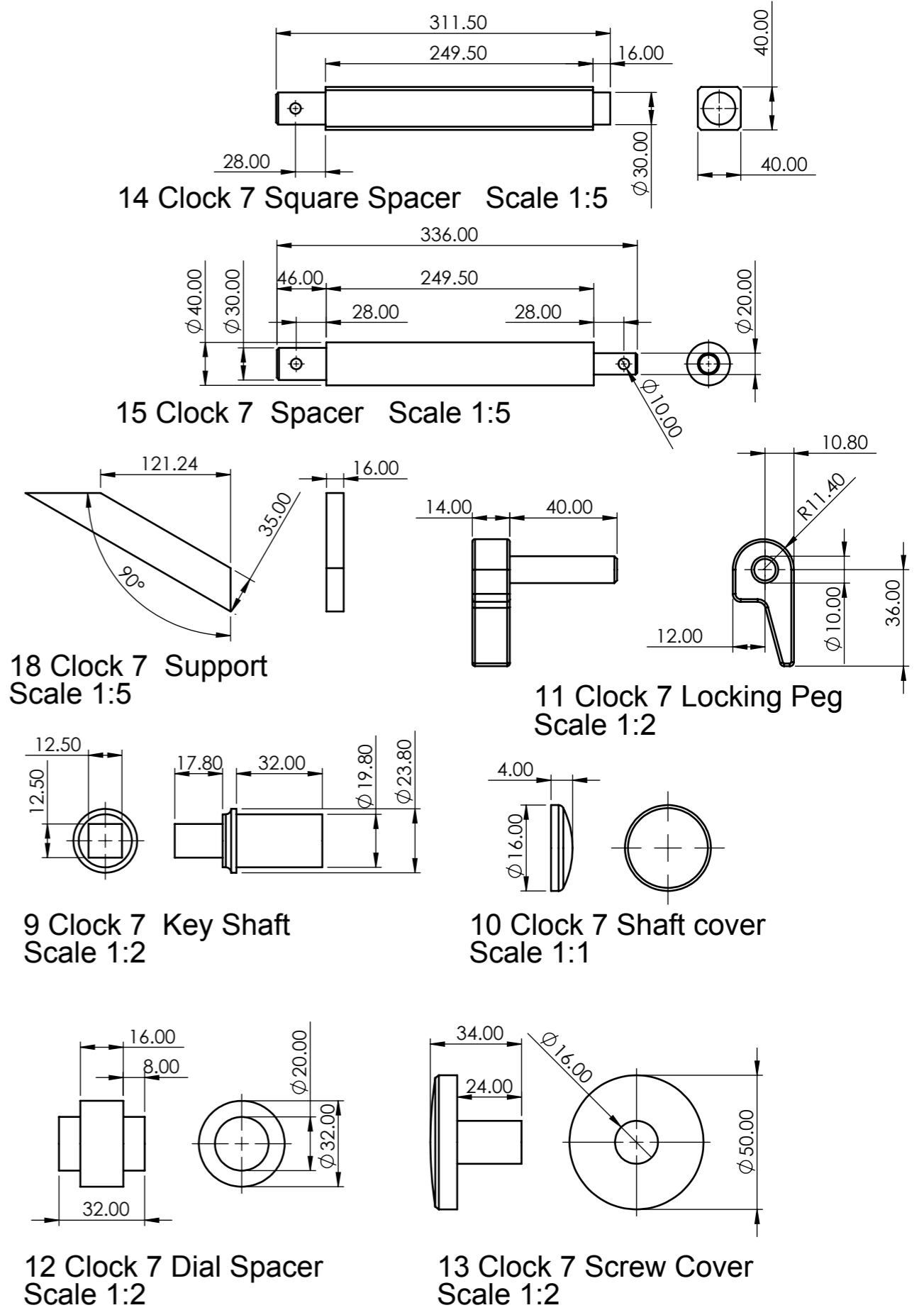
ITEM NO.	PART NUMBER	Qty
1	Clock 7-Back-V2	1
2	Clock 7-Front V2	1
3	Clock 7 Dial-2	1
4	Clock 7 Pendulum head	1
5	Clock 7 Pendulum pivot	1
6	Clock 7 Pendulum rod	1
7	Clock 7 Pendulum bob	1
8	Clock 7 Pendulum nut	1
9	Clock7-Key Shaft	1
10	Clock 7 Shaft Cover	7
11	Clock 7 Locking Peg	3
12	Clock 7 Dial Spacer	2
13	Clock 7-Screw Cover	2
14	Clock 7-Spacer-square 248	1
15	Clock 7-Spacer-248	1
16	Clock 7-Wall Spacer	2
17	Clock 7-Pendulum Hanger	1
18	Clock 7-Support	1
19	Clock 7-15 Teeth Mod6	1

Sht of Shts	Sht Size A3	Law Wooden Clock 7	Frame Sub Assembly
Not to Scale Unless otherwise stated		All dimensions in mm and (inches) 3rd Angle projection	Designed by: Brian law March 2010 www.woodenclocks.co.uk



1 Clock 7 Back V2 Scale 1:5

2 Clock 7 Front V2 Scale 1:5



14 Clock 7 Square Spacer Scale 1:5

15 Clock 7 Spacer Scale 1:5

18 Clock 7 Support Scale 1:5

11 Clock 7 Locking Peg Scale 1:2

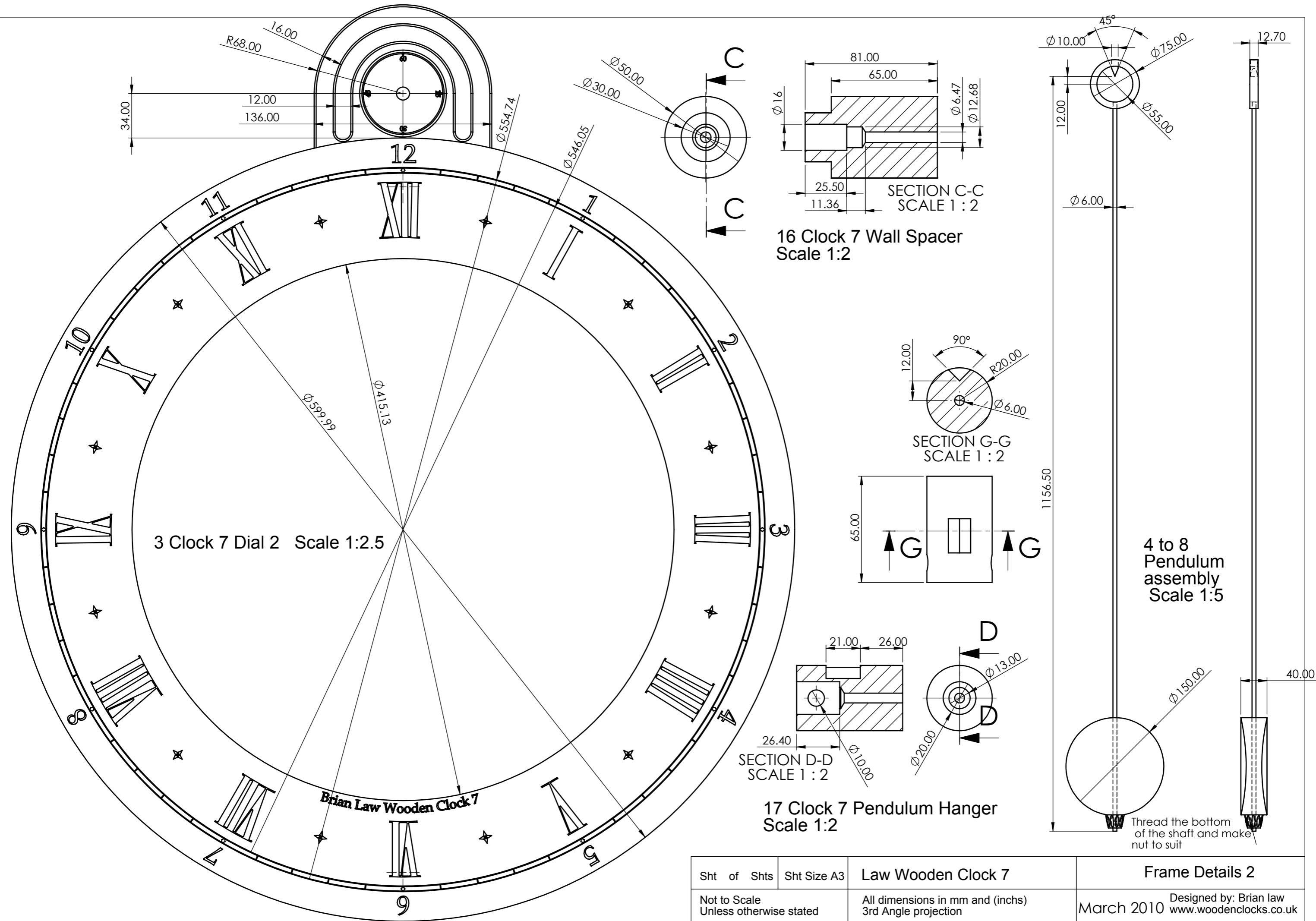
9 Clock 7 Key Shaft Scale 1:2

10 Clock 7 Shaft cover Scale 1:1

12 Clock 7 Dial Spacer Scale 1:2

13 Clock 7 Screw Cover Scale 1:2

Sht of Shts	Sht Size A3	Law Wooden Clock 7	Frame Details 1
Not to Scale Unless otherwise stated		All dimensions in mm and (inches) 3rd Angle projection	Designed by: Brian law March 2010 www.woodenclocks.co.uk



3 Clock 7 Dial 2 Scale 1:2.5

Brian Law Wooden Clock 7

16 Clock 7 Wall Spacer Scale 1:2

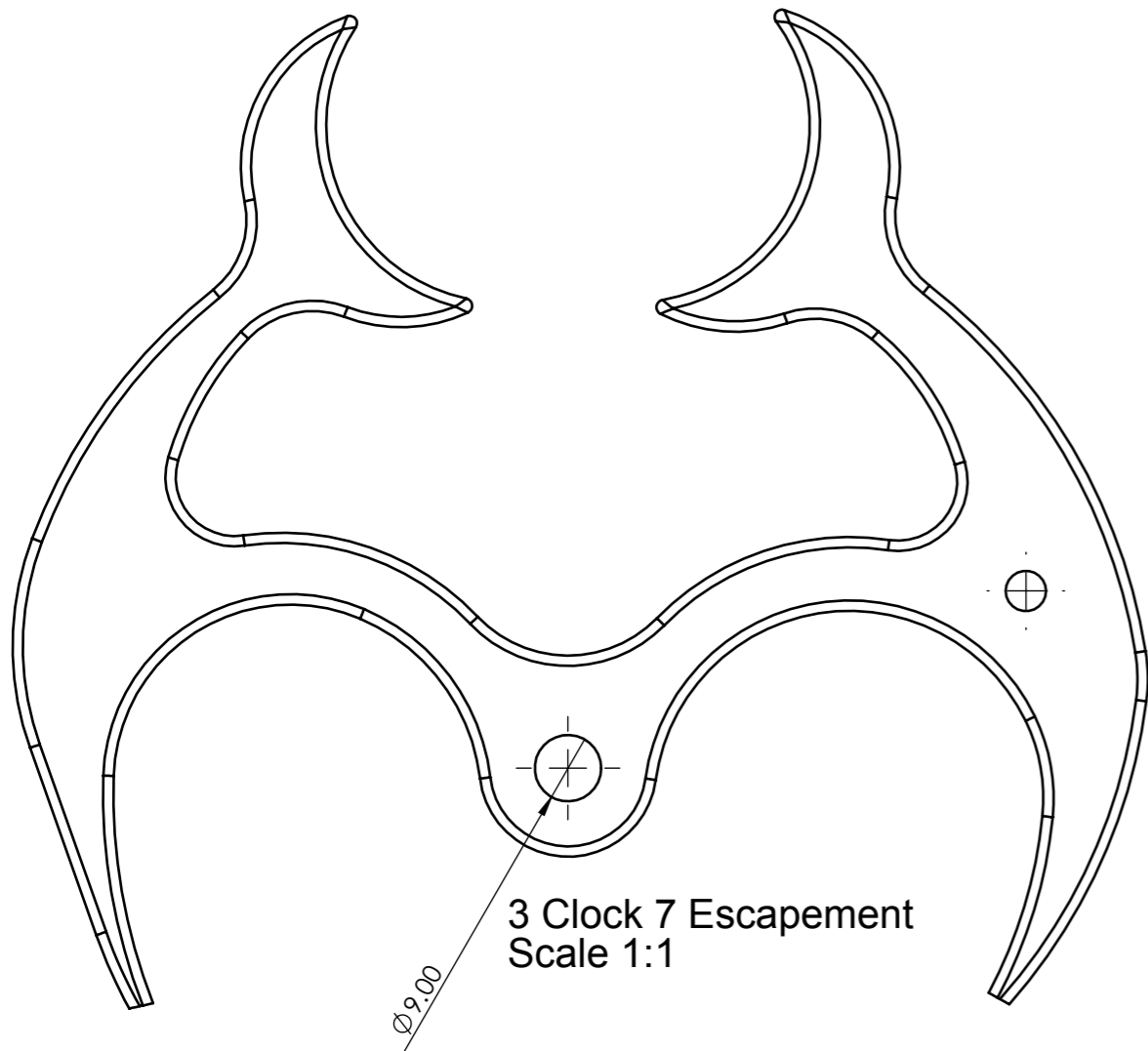
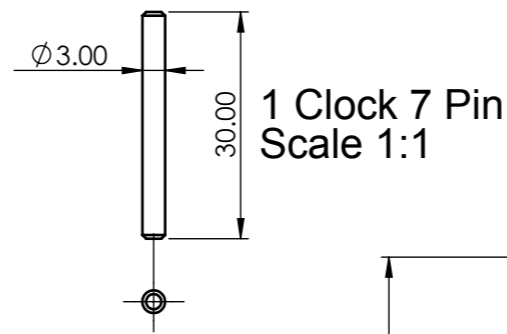
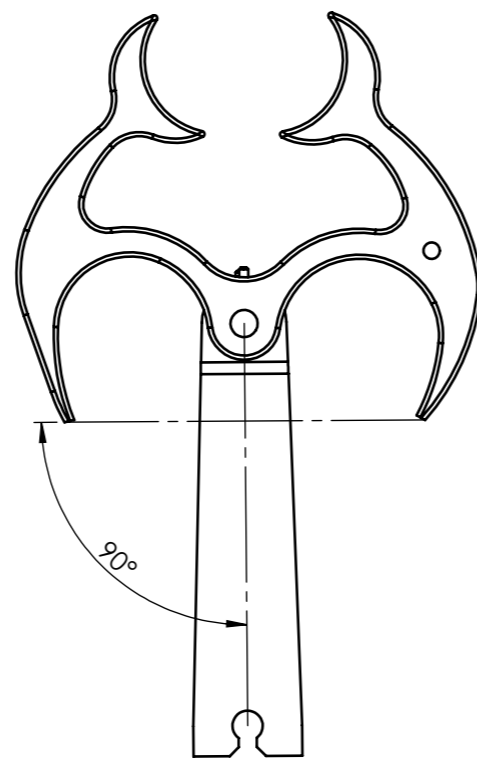
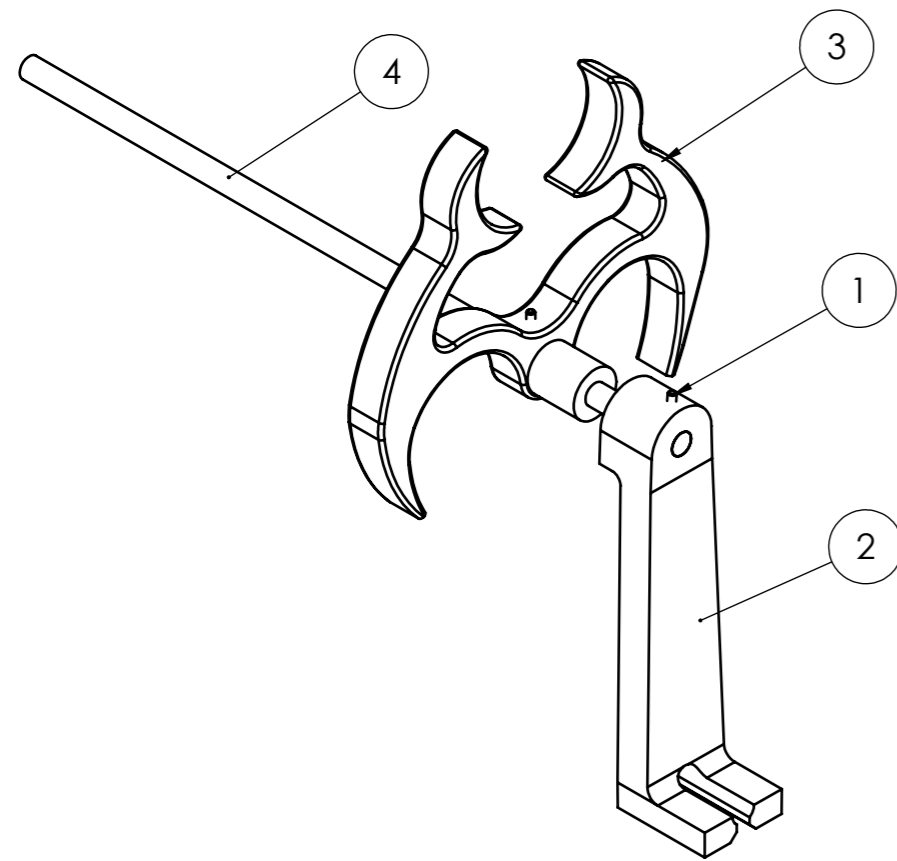
17 Clock 7 Pendulum Hanger Scale 1:2

4 to 8 Pendulum assembly Scale 1:5

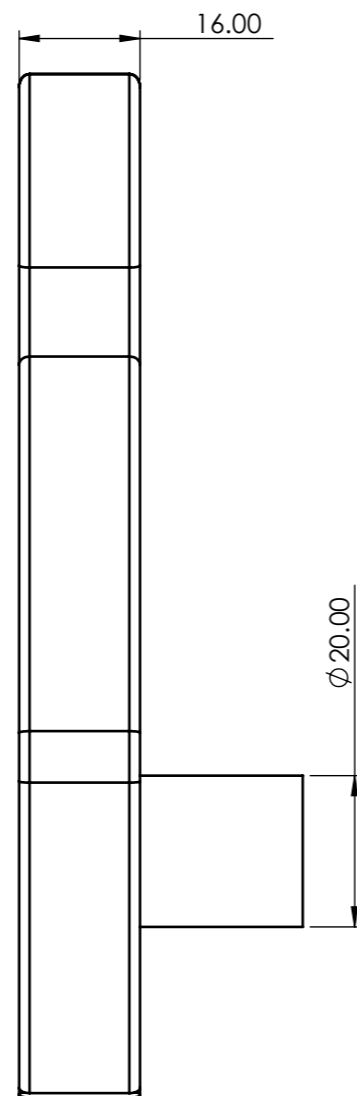
Thread the bottom of the shaft and make nut to suit

Sht of Shts	Sht Size A3	Law Wooden Clock 7	Frame Details 2
Not to Scale Unless otherwise stated		All dimensions in mm and (inches) 3rd Angle projection	Designed by: Brian law March 2010 www.woodenclocks.co.uk

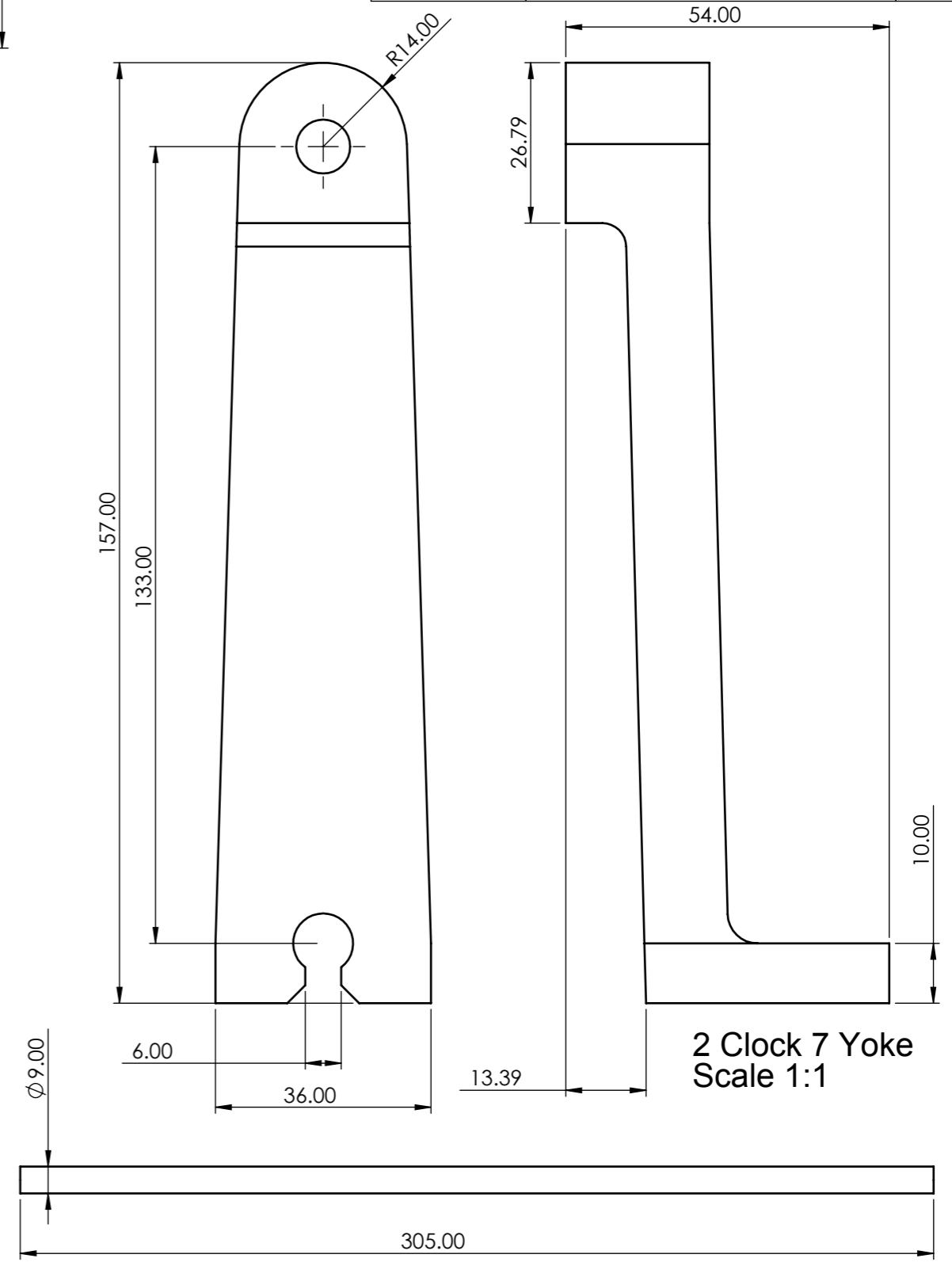
ITEM NO.	PART NUMBER	Qty
1	Clock 7 Pin	2
2	Clock 7-Yoke	1
3	Clock 7-Escapement	1
4	Clock 7 Shaft 9-305	1



3 Clock 7 Escapement Scale 1:1



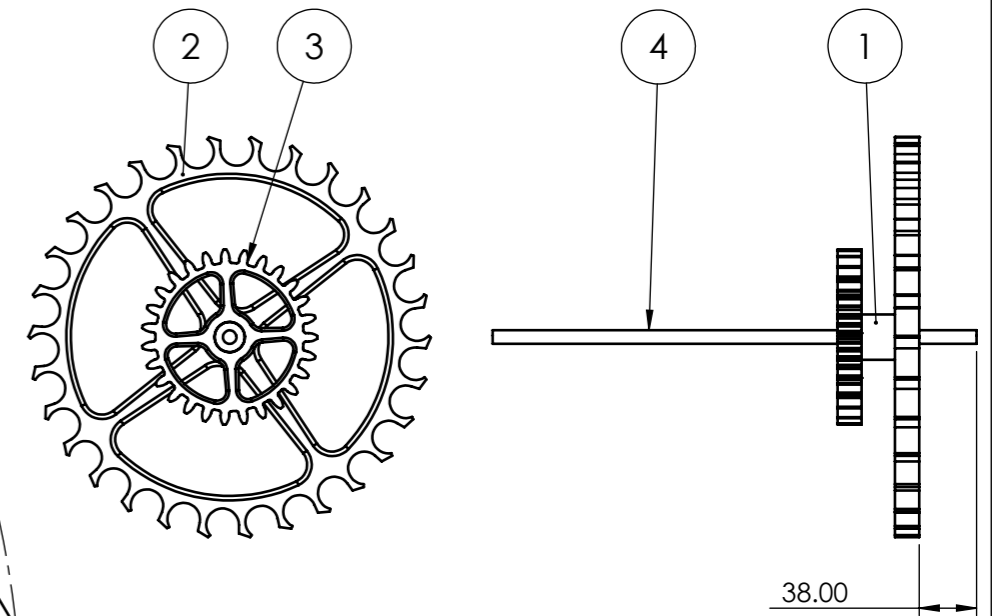
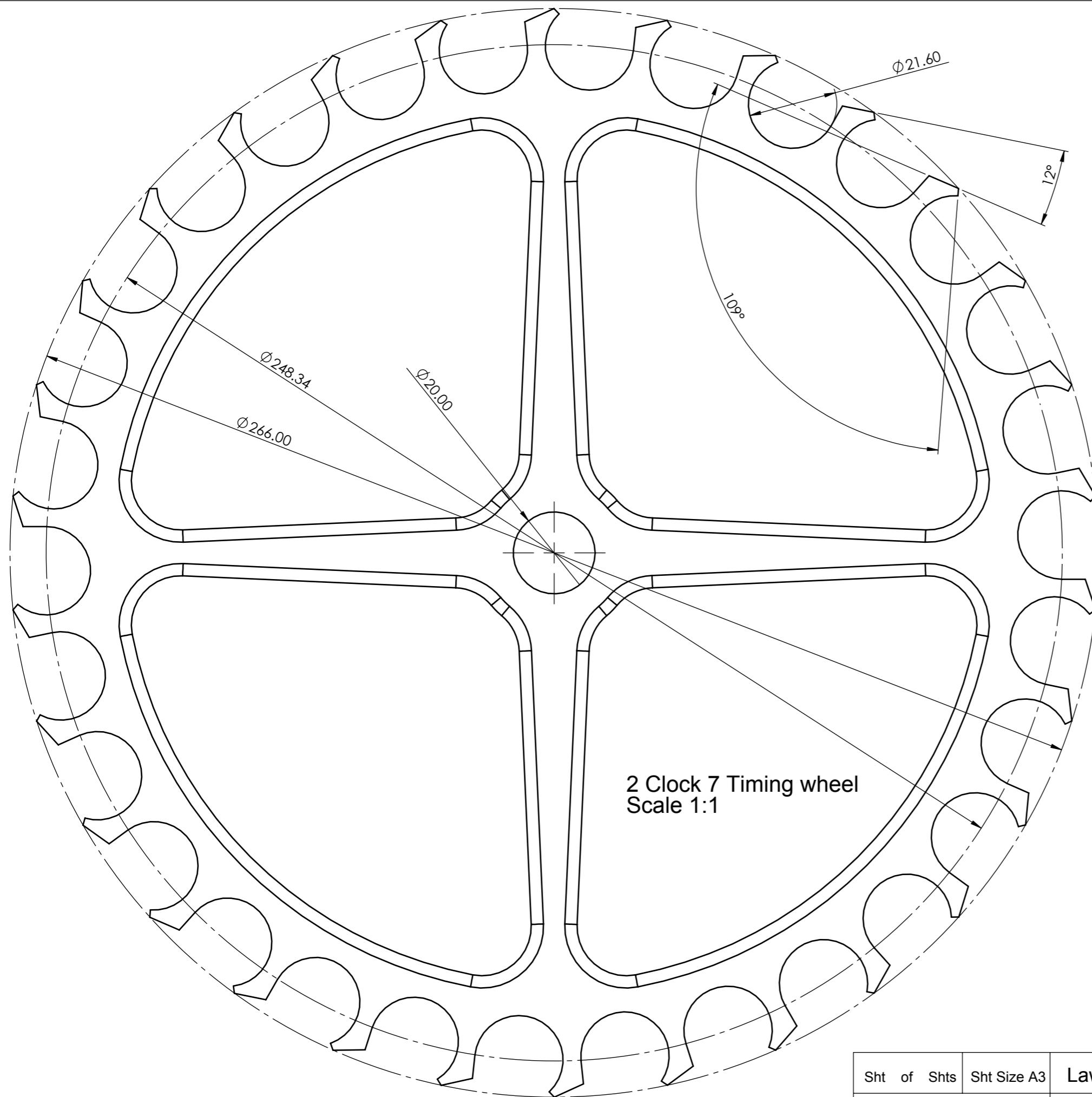
4 Clock 7 Shaft 9-305 Scale 1:2 Brass



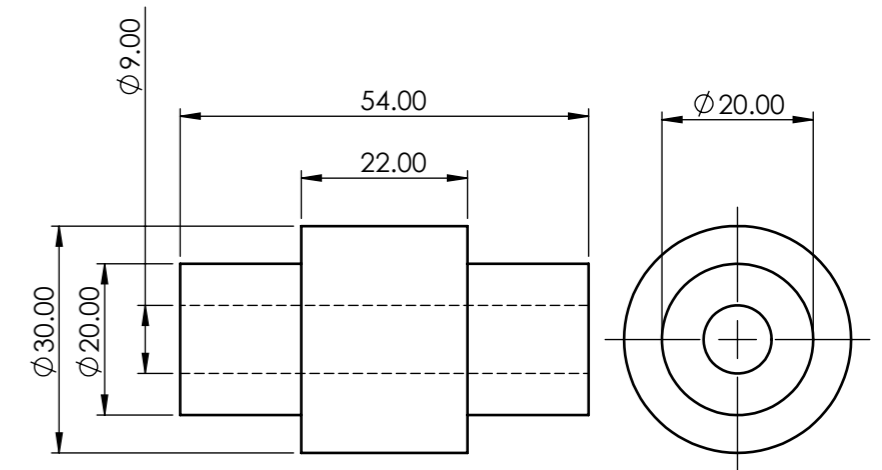
2 Clock 7 Yoke Scale 1:1

Sht of Shts	Sht Size A3	Law Wooden Clock 7	Escapement
Not to Scale Unless otherwise stated		All dimensions in mm and (inches) 3rd Angle projection	March 2010 Designed by: Brian law www.woodenclocks.co.uk

ITEM NO.	PART NUMBER	Qty
1	Clock 7-Spacer-22-10	1
2	Clock 7-Timing Wheel	1
3	Clock 7-27-Teeth	1
4	Clock 7 Shaft 9-320	1

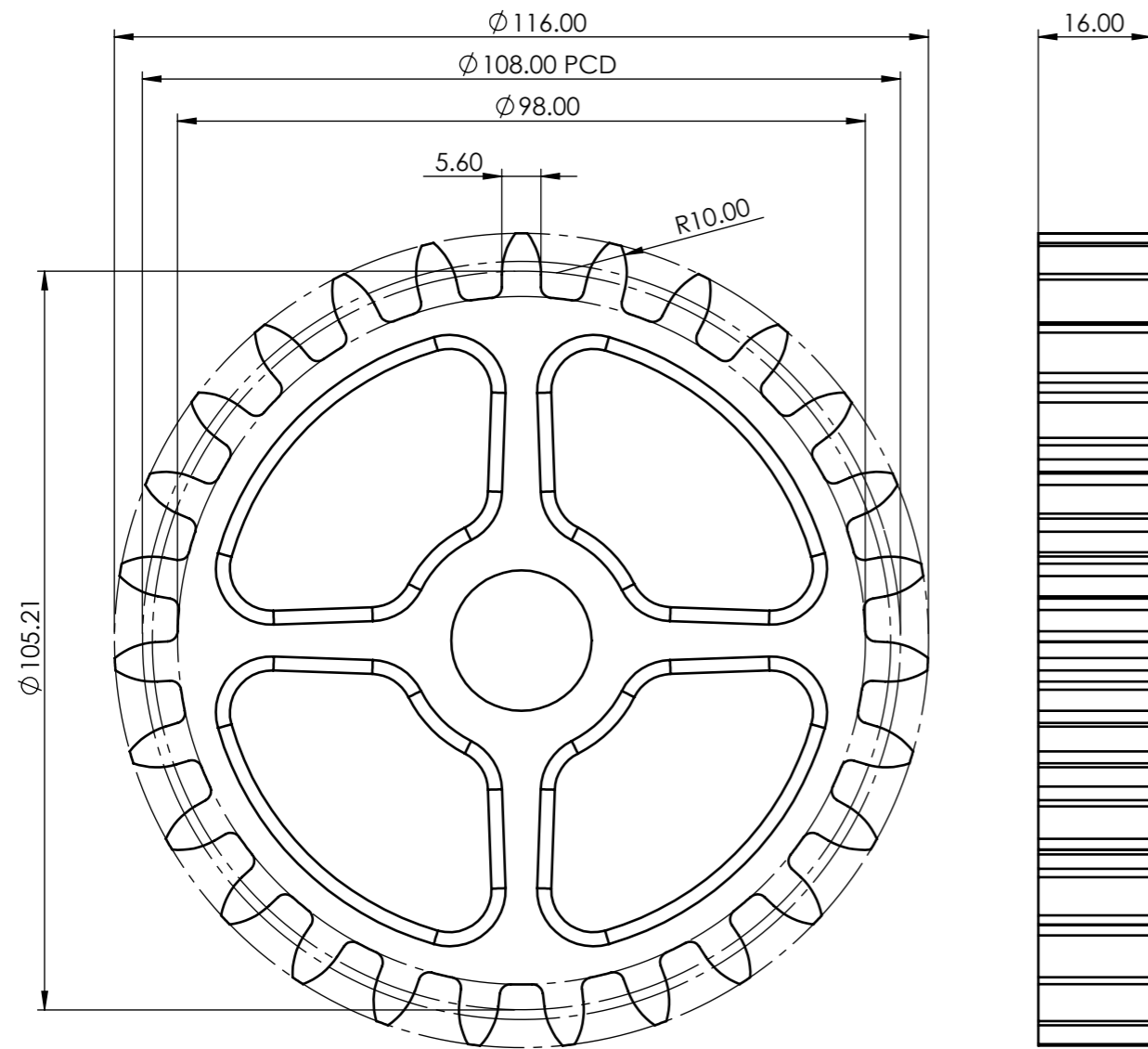


2 Clock 7 Timing wheel
Scale 1:1

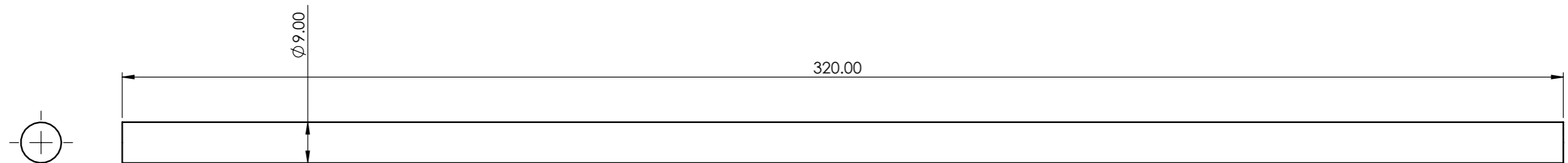


1 Clock 7 Spacer
Scale 1:1

Sht of Shts	Sht Size A3	Law Wooden Clock 7	Top Shaft
Not to Scale Unless otherwise stated		All dimensions in mm and (inches) 3rd Angle projection	Designed by: Brian law March 2010 www.woodenclocks.co.uk

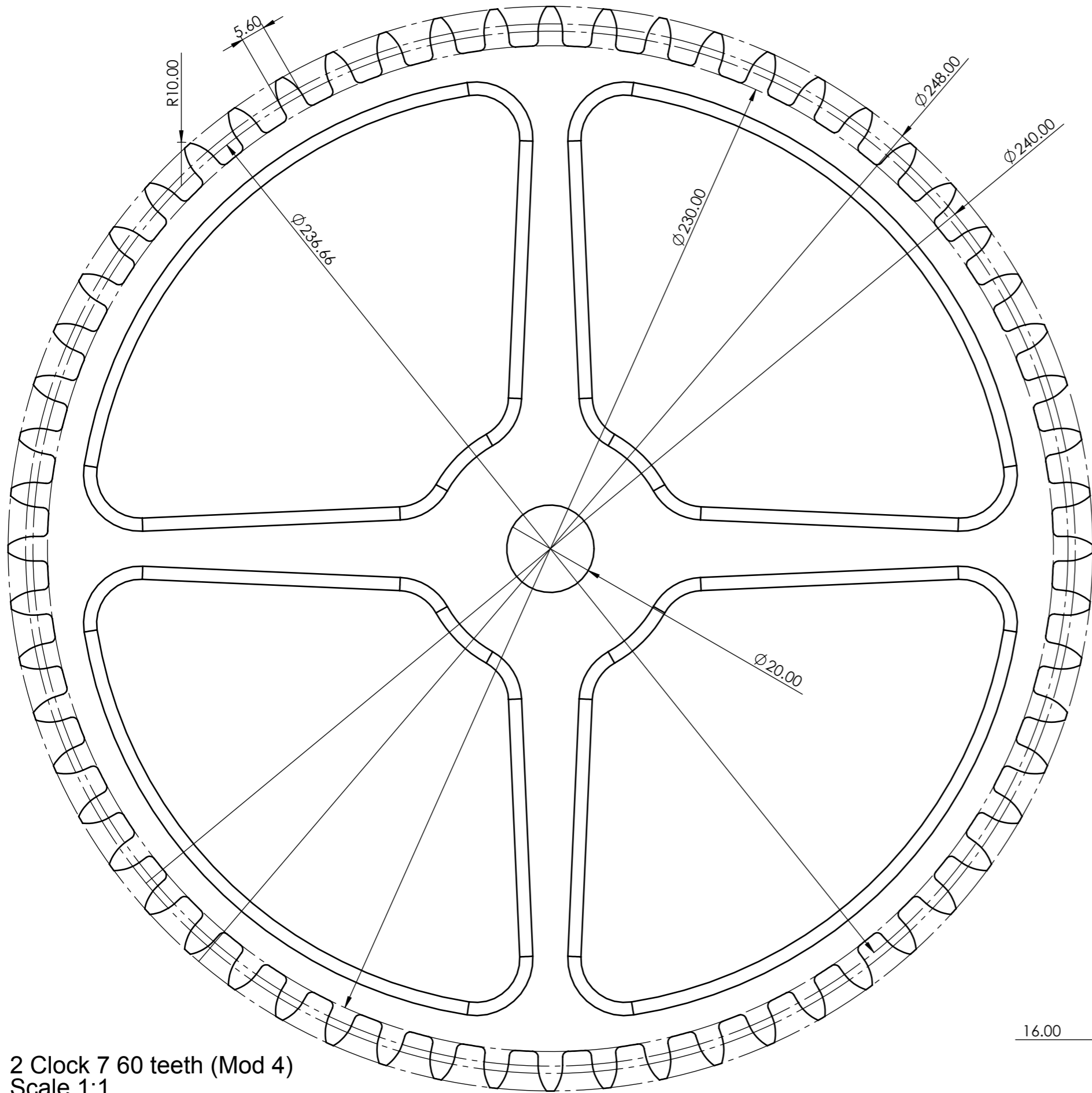


3 Clock 7 27 teeth (Mod 4)
Scale 1:1



4 Clock 7 Shaft 9-320
Scale 1:1 Brass

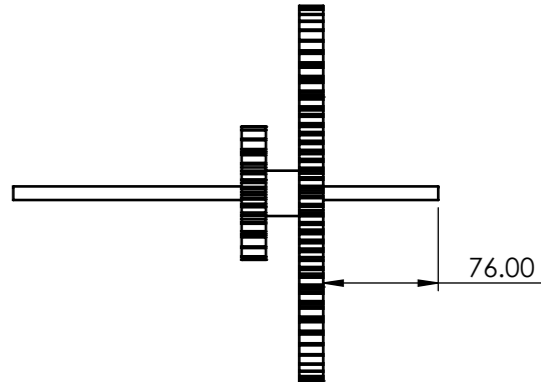
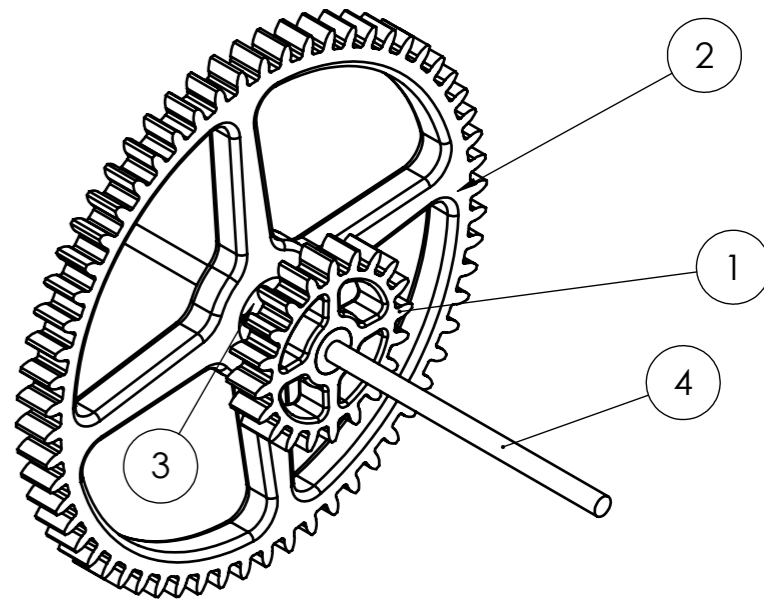
Sht of Shts	Sht Size A3	Law Wooden Clock 7	Top Shaft
Not to Scale Unless otherwise stated		All dimensions in mm and (inches) 3rd Angle projection	March 2010 Designed by: Brian law www.woodenclocks.co.uk



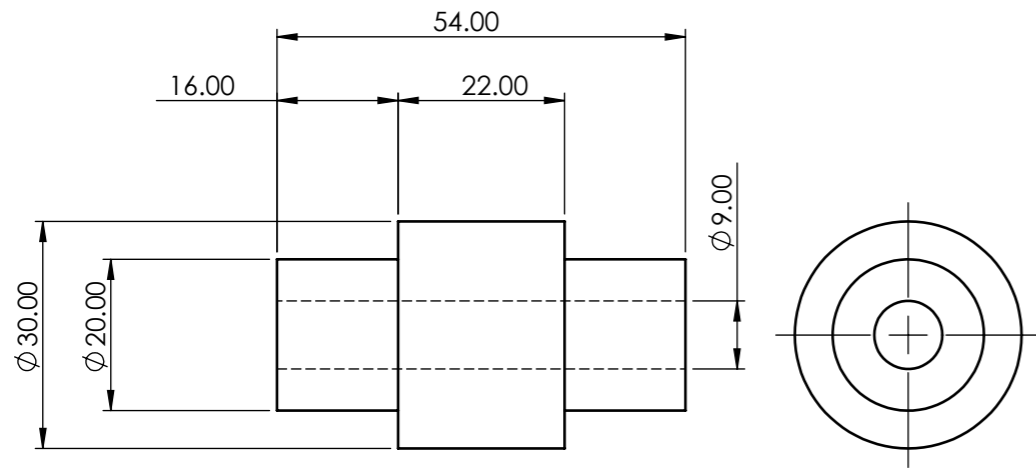
2 Clock 7 60 teeth (Mod 4)
Scale 1:1



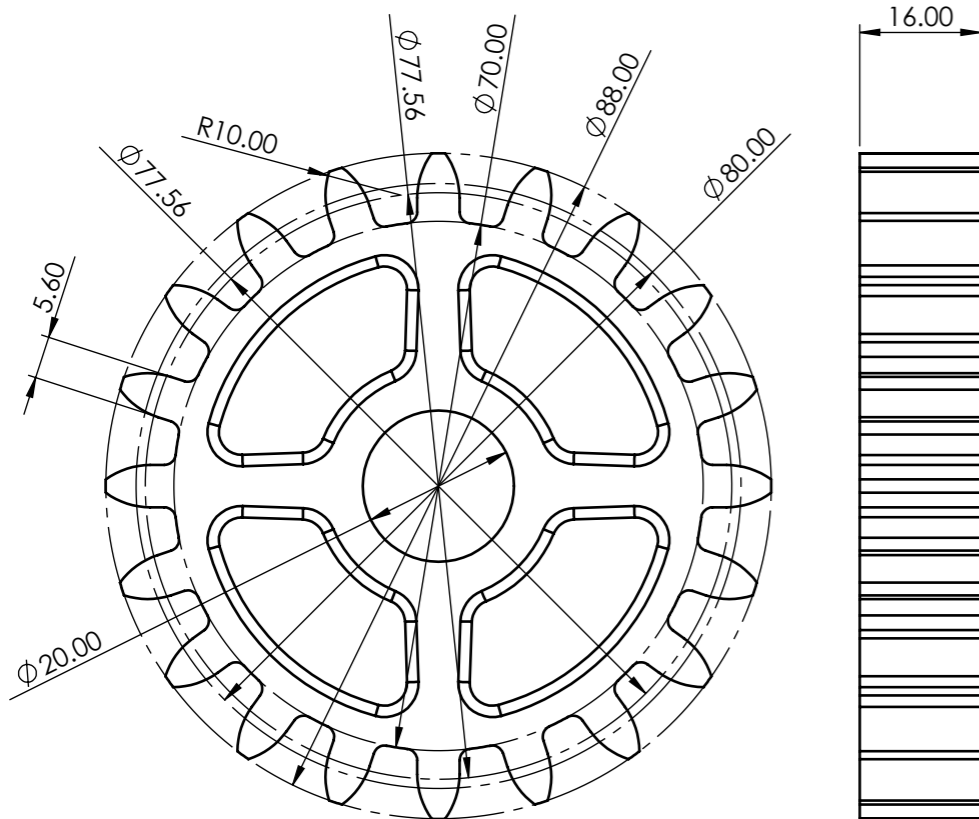
ITEM NO.	PART NUMBER	Qty
1	Clock 7-20-Teeth	1
2	Clock 7-60-Teeth	1
3	Clock 7-Spacer-22-10	1
4	Clock 7 Shaft 9-281	1



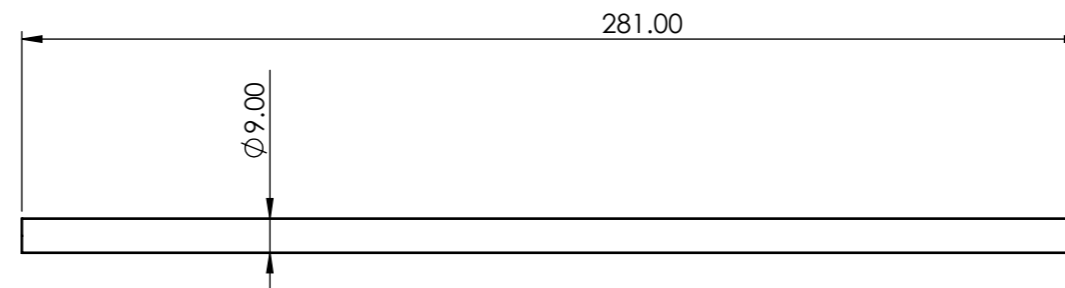
Sht of Shts	Sht Size A3	Law Wooden Clock 7	Middle Shaft
Not to Scale Unless otherwise stated		All dimensions in mm and (inches) 3rd Angle projection	Designed by: Brian law March 2010 www.woodenclocks.co.uk



3 Clock 7 Spacer 22-10
Scale 1:1

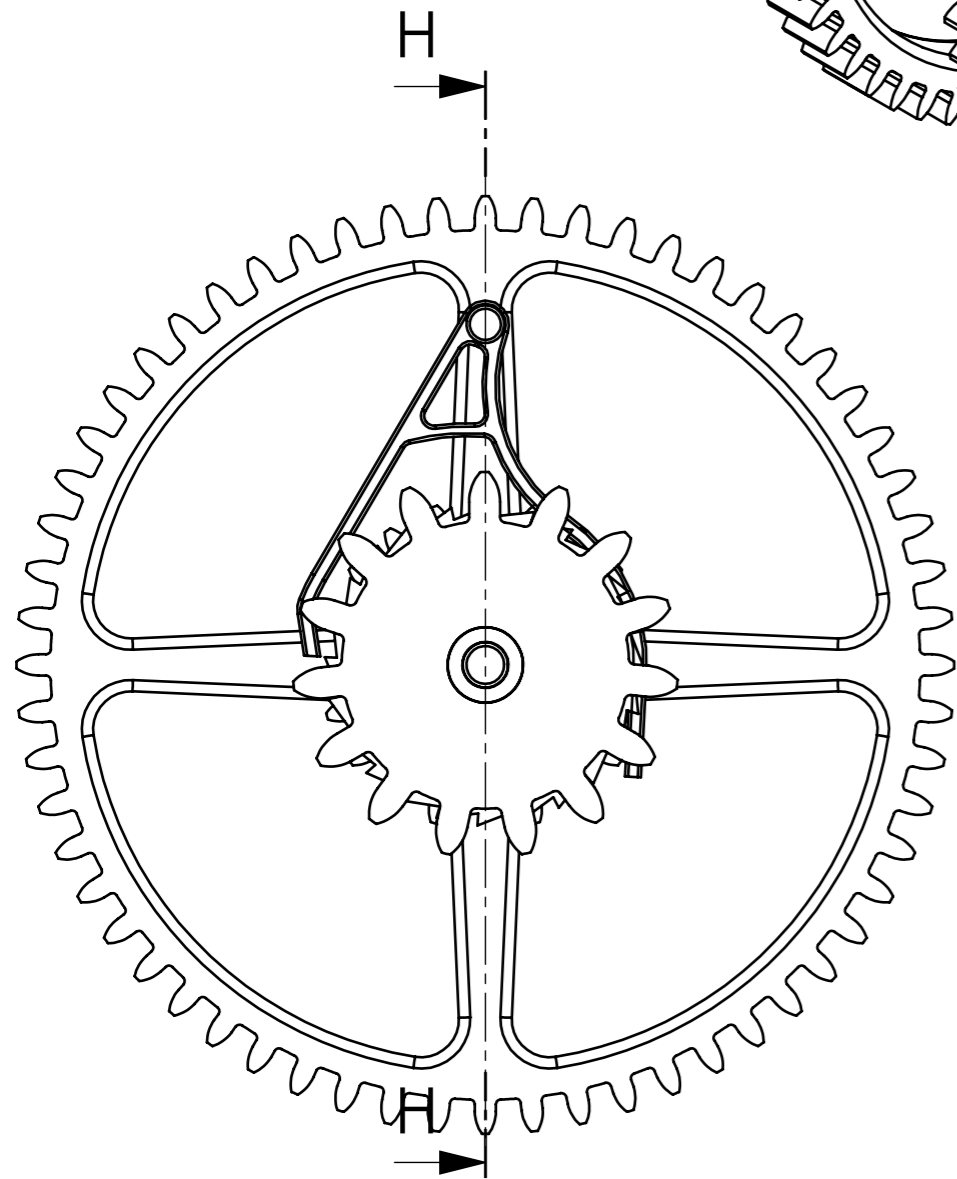
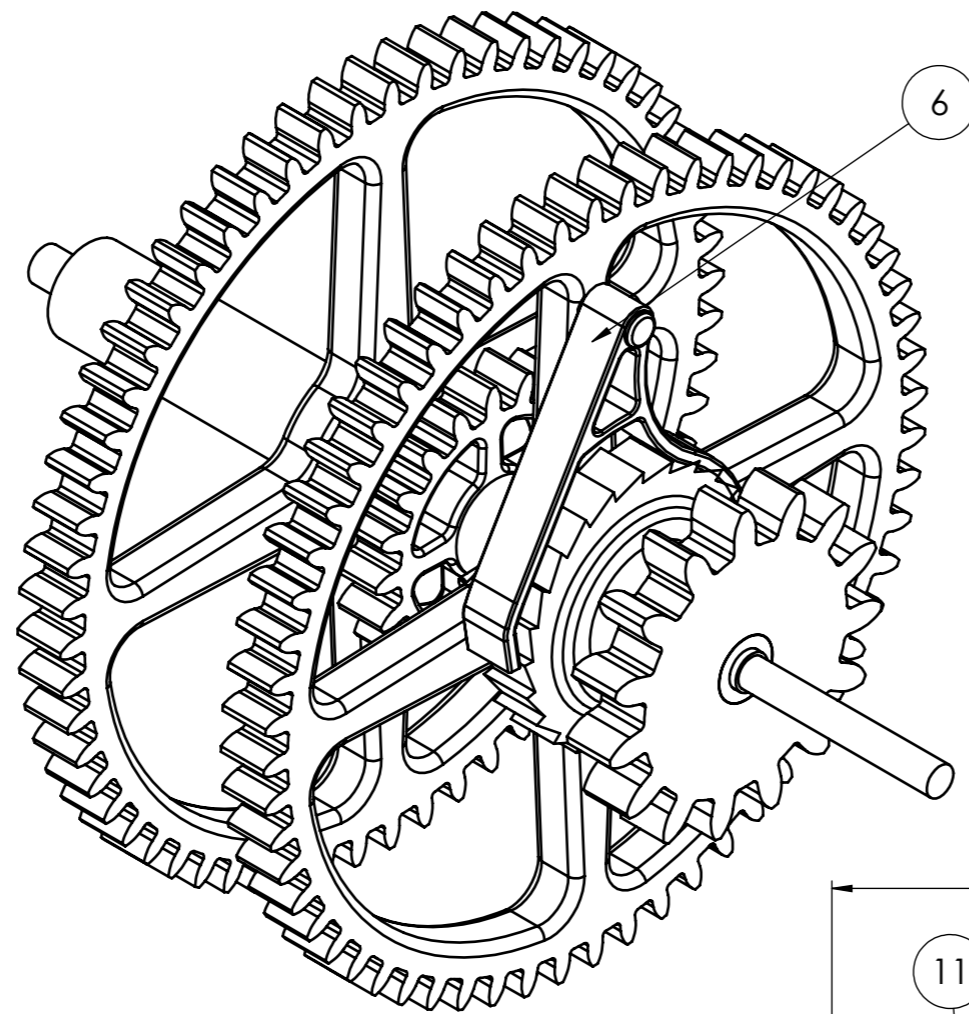


1 Clock 7 20 teeth (Mod 4)
Scale 1:1

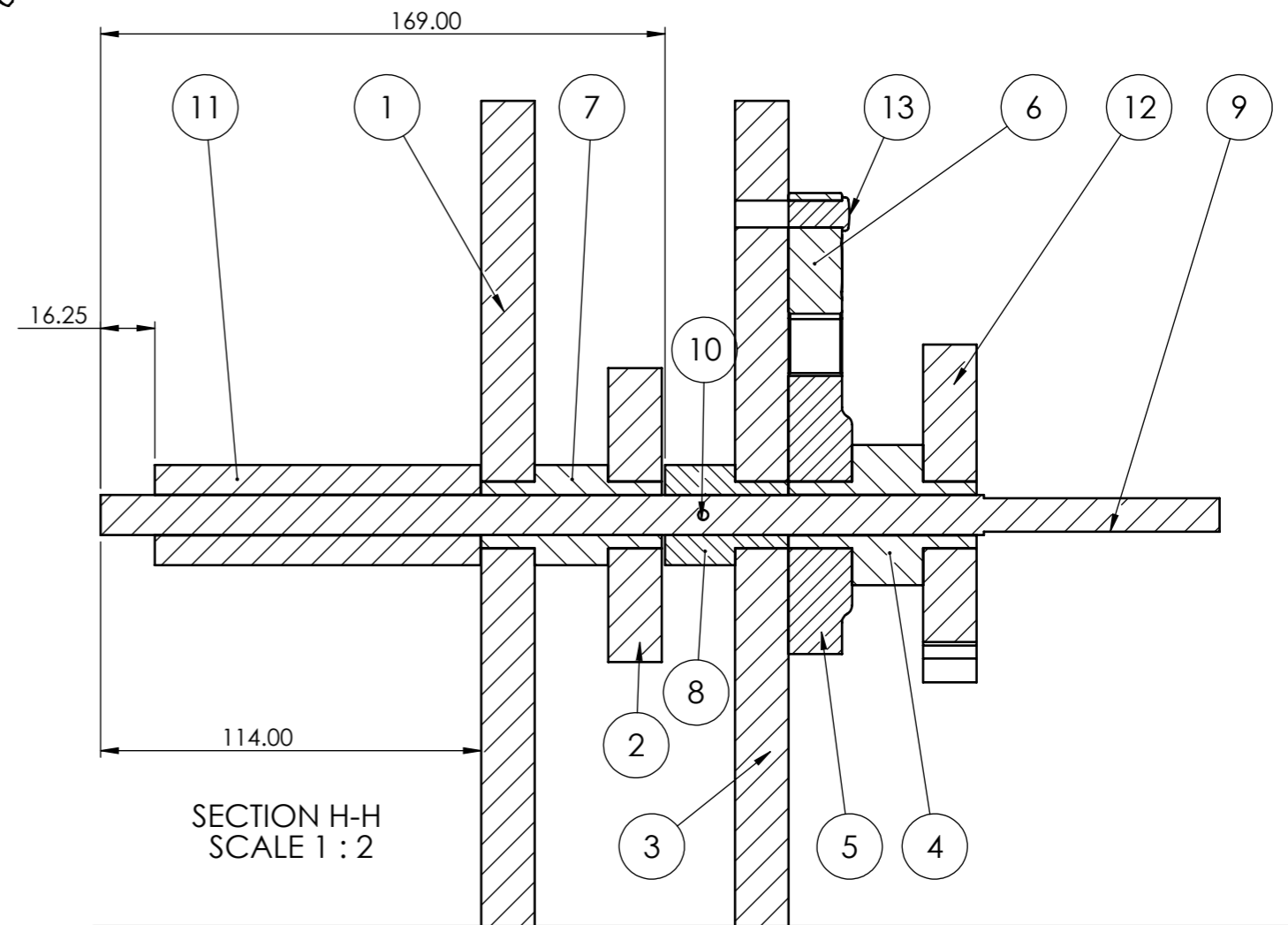


4 Clock 7 Shaft 9-281
Scale 1:2 Brass

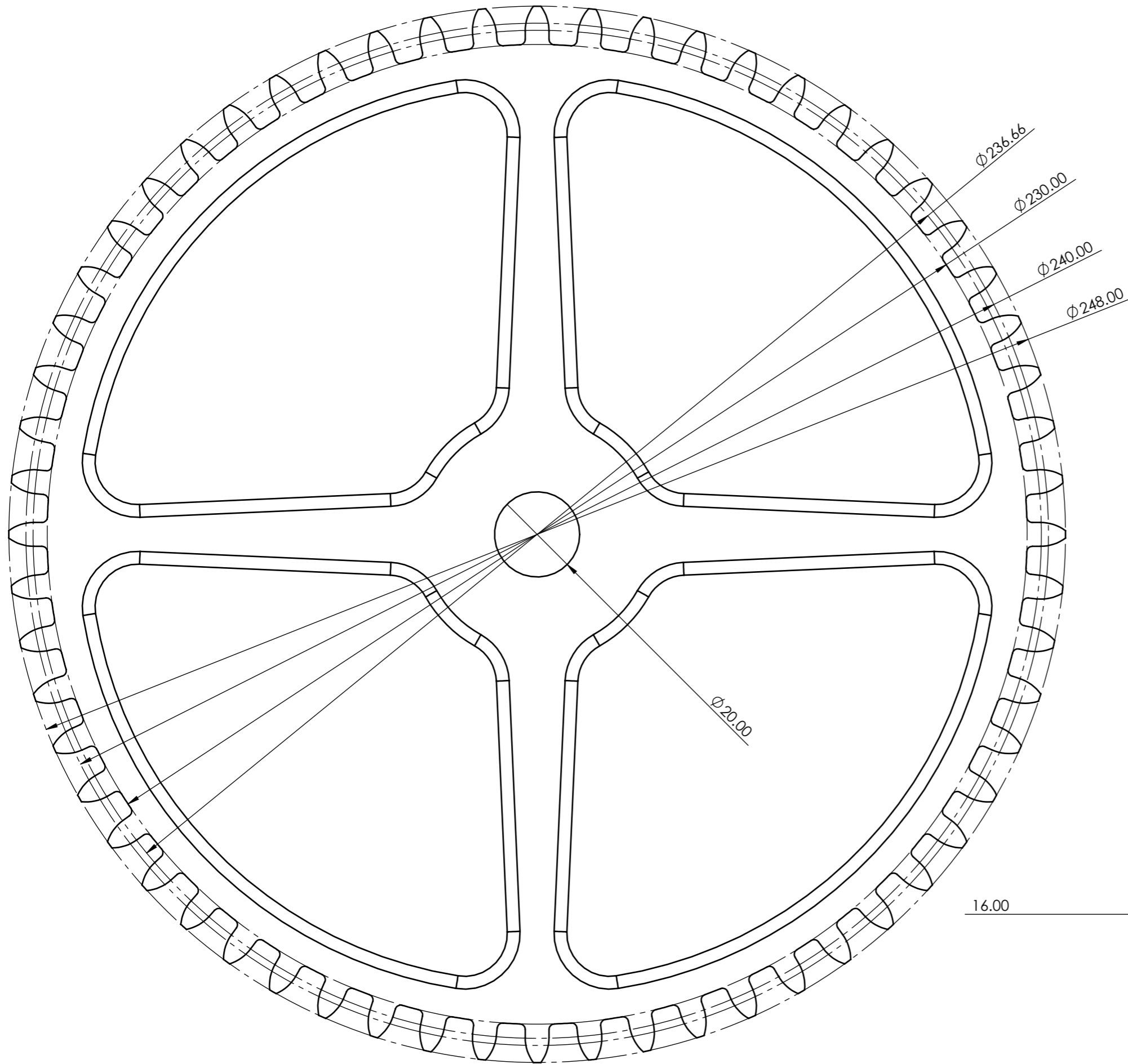
Sht of Shts	Sht Size A3	Law Wooden Clock 7	Middle Shaft
Not to Scale Unless otherwise stated		All dimensions in mm and (inches) 3rd Angle projection	Designed by: Brian law March 2010 www.woodenclocks.co.uk



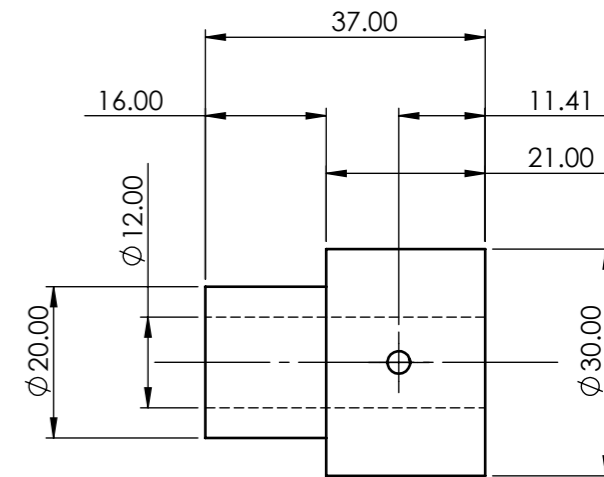
ITEM NO.	PART NUMBER	Qty
1	Clock 7-60-Teeth	1
2	Clock 7-20-Teeth	1
3	Clock 7-60-Teeth with hole	1
4	Clock 7-Drum	1
5	Clock 7-Ratchet	1
6	Clock 7-Pawl	1
7	Clock 7-Spacer-22-12	1
8	Clock 7-Spacer-21-Short	1
9	Clock 7 Shaft 12-7-335	1
10	Clock 7 Pin	1
11	Clock 7 Shaft Sleeve 12-97	1
12	Clock 7-15 Teeth Mod6	1
13	Clock 7 Ratchet Pin	1



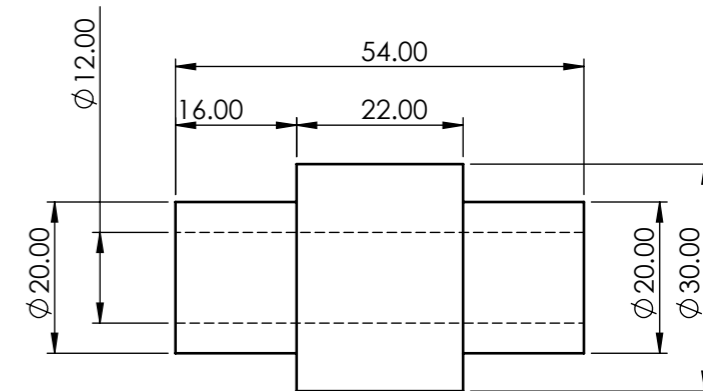
Sht of Shts	Sht Size A3	Law Wooden Clock 7	Main Shaft
Not to Scale Unless otherwise stated		All dimensions in mm and (inches) 3rd Angle projection	Designed by: Brian law March 2010 www.woodenclocks.co.uk



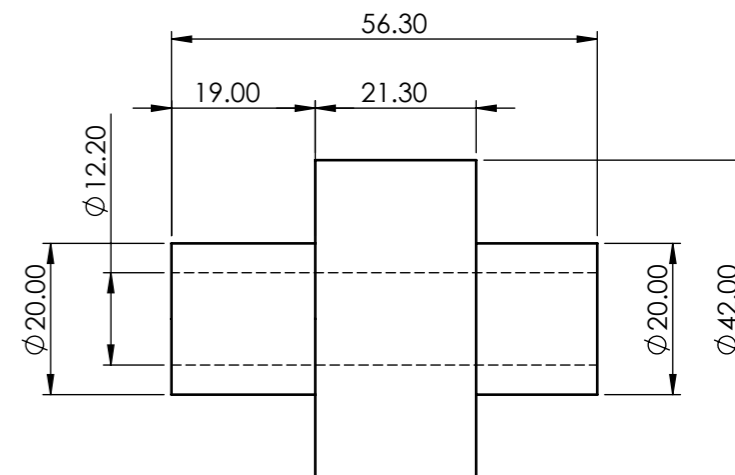
1 Clock 7 60 teeth (Mod 4)
Scale 1:1



8 Clock 7 Spacer 21 short
Scale 1:1

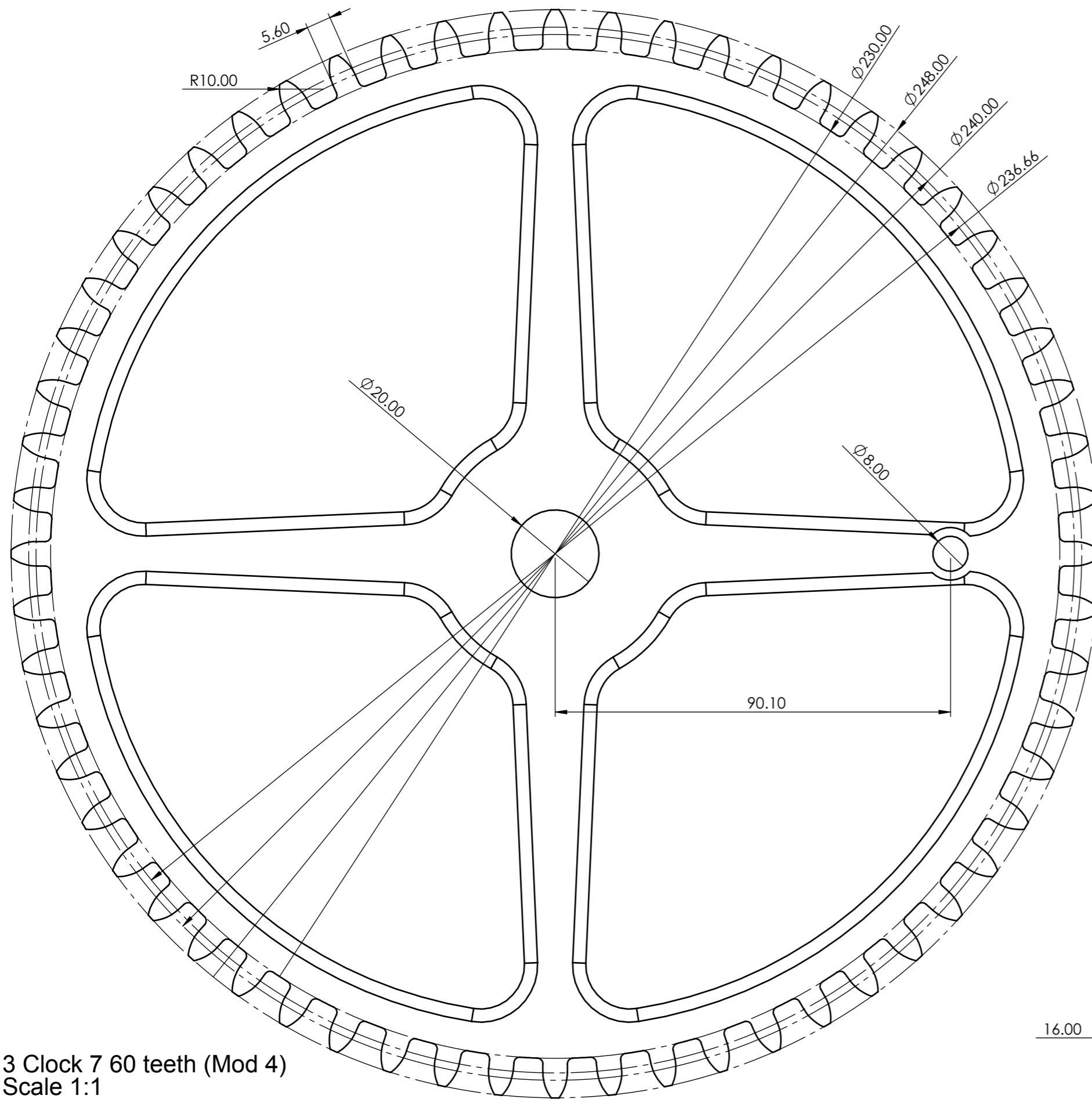


7 Clock 7 Spacer 22-12
Scale 1:1

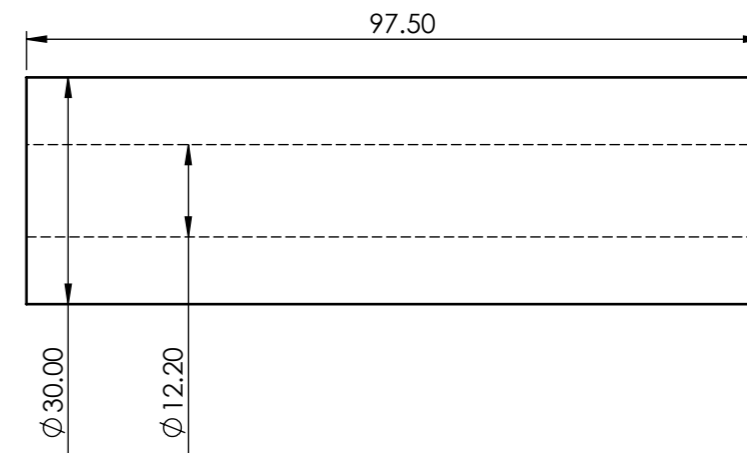


4 Clock 7 Drum
Scale 1:1

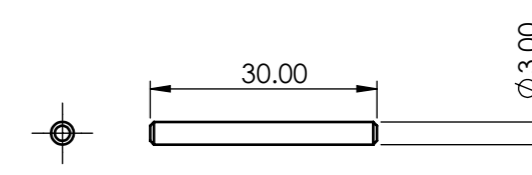
Sht of Shts	Sht Size A3	Law Wooden Clock 7	Main Shaft 2
Not to Scale Unless otherwise stated		All dimensions in mm and (inches) 3rd Angle projection	Designed by: Brian law March 2010 www.woodenclocks.co.uk



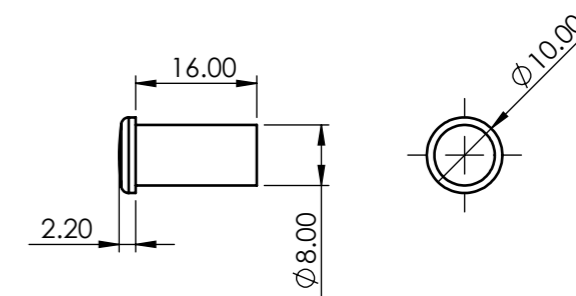
3 Clock 7 60 teeth (Mod 4)
Scale 1:1



11 Clock 7 Shaft Sleeve 12-97
Scale 1:1

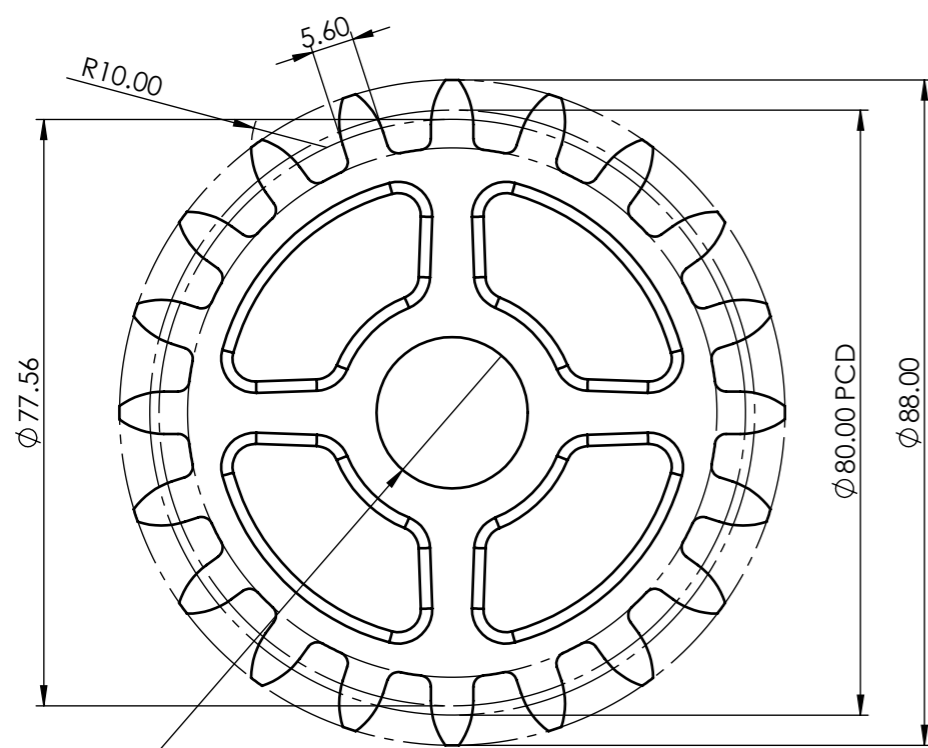


10 Clock 7 Pin
Scale 1:1

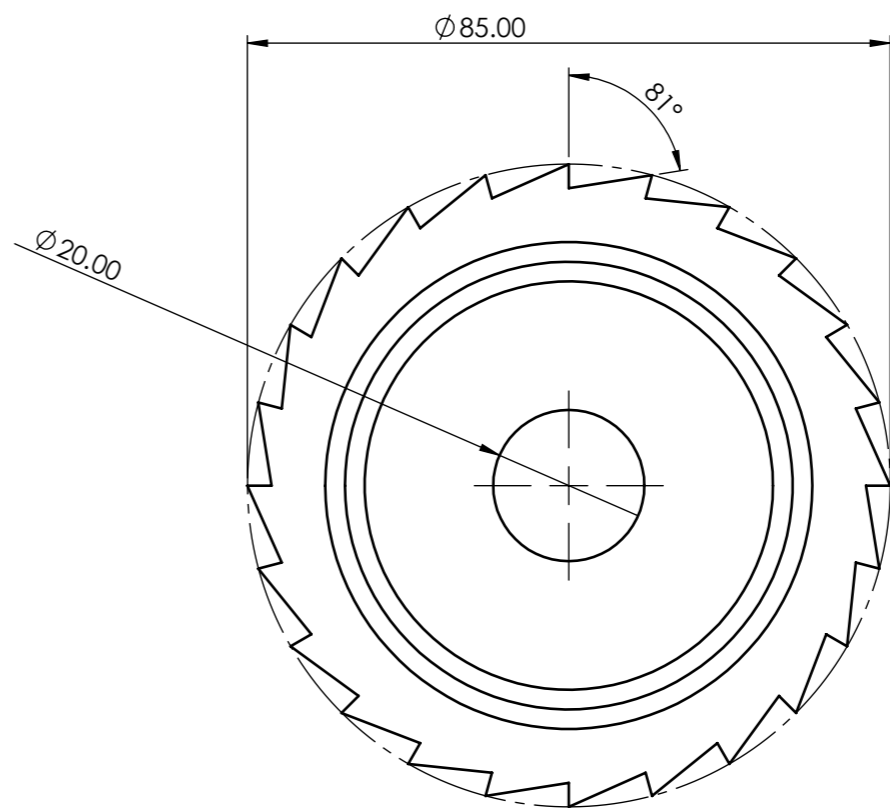
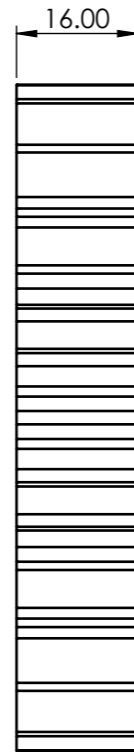


13 Clock 7 Ratchet Pin
Scale 1:1

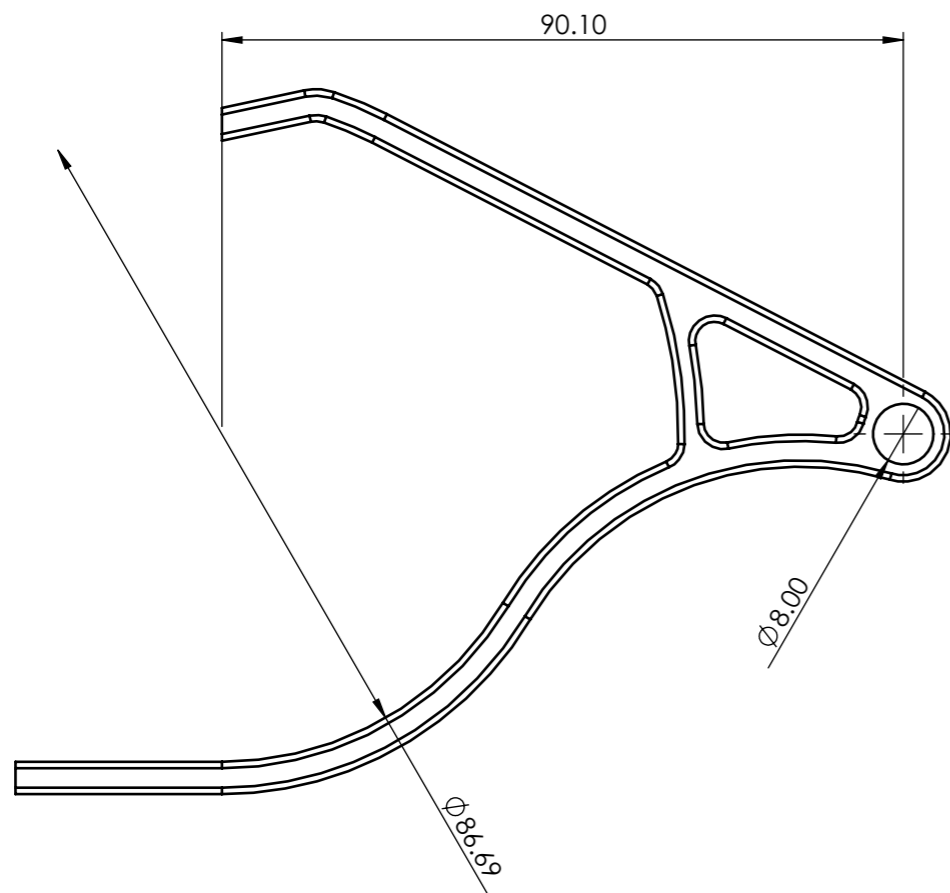
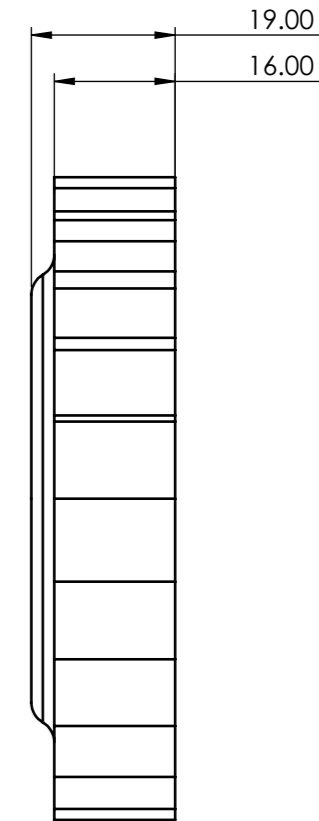
Sht of Shts	Sht Size A3	Law Wooden Clock 7	Main Shaft 3
Not to Scale Unless otherwise stated		All dimensions in mm and (inches) 3rd Angle projection	Designed by: Brian law March 2010 www.woodenclocks.co.uk



2 Clock 7 20 teeth (Mod 4)
Scale 1:1



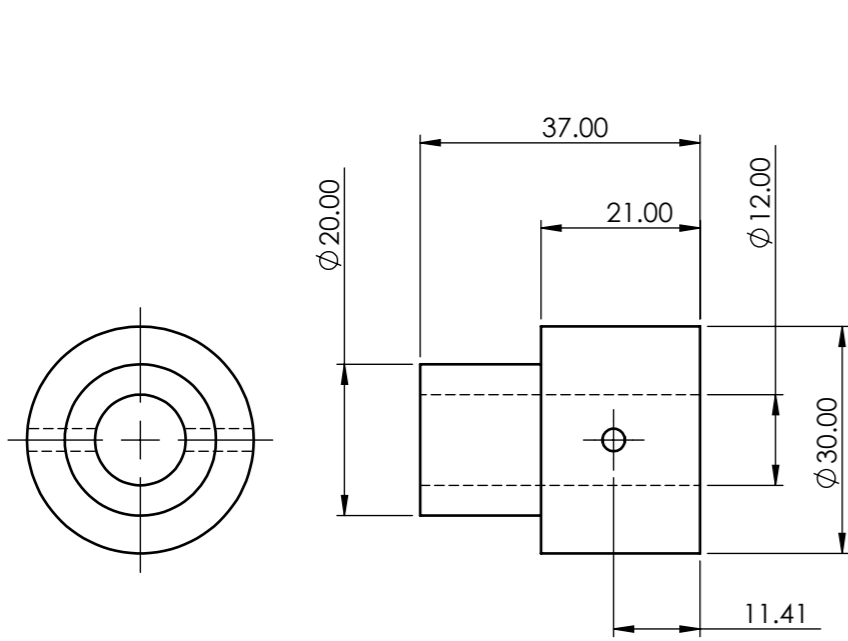
5 Clock 7 Ratchet
Scale 1:1



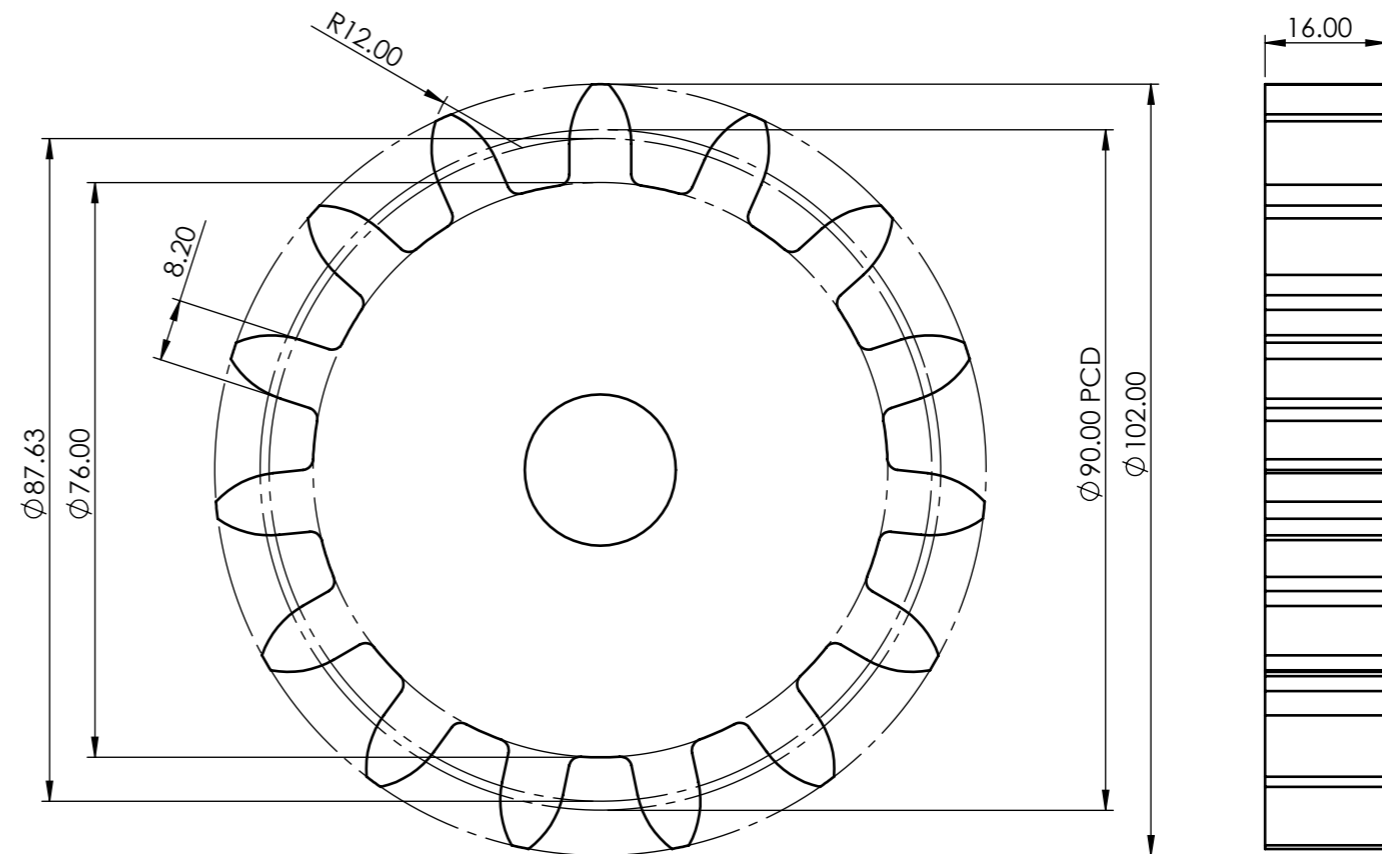
6 Clock 7 Pawl
Scale 1:1



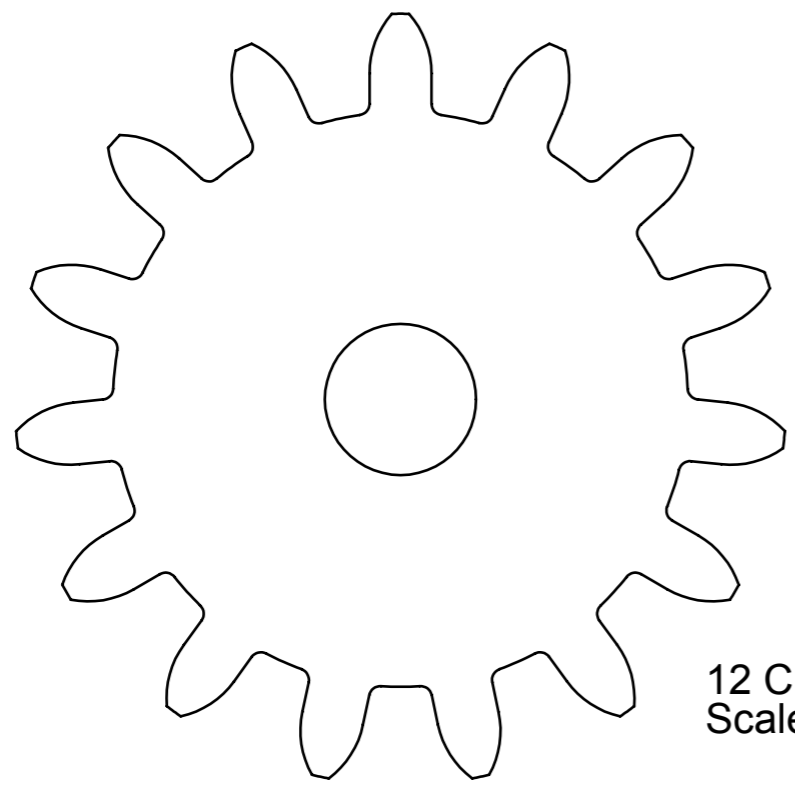
Sht of Shts	Sht Size A3	Law Wooden Clock 7	Main Shaft 4
Not to Scale Unless otherwise stated		All dimensions in mm and (inches) 3rd Angle projection	Designed by: Brian law March 2010 www.woodenclocks.co.uk



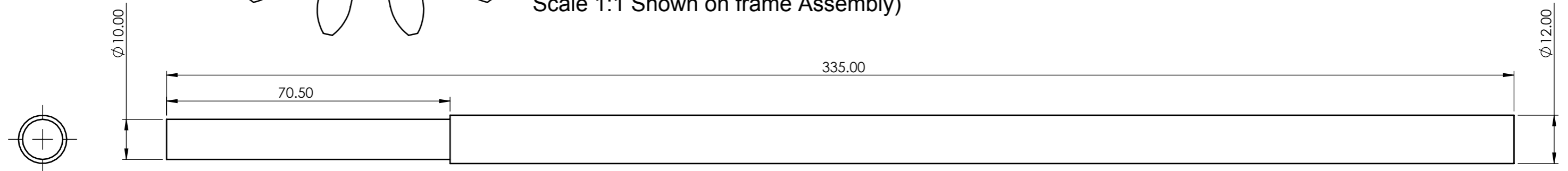
8 Clock 7 Spacer 21 short
Scale 1:1



12 Clock 7 15 Teeth (Mod 6)
Scale 1:1

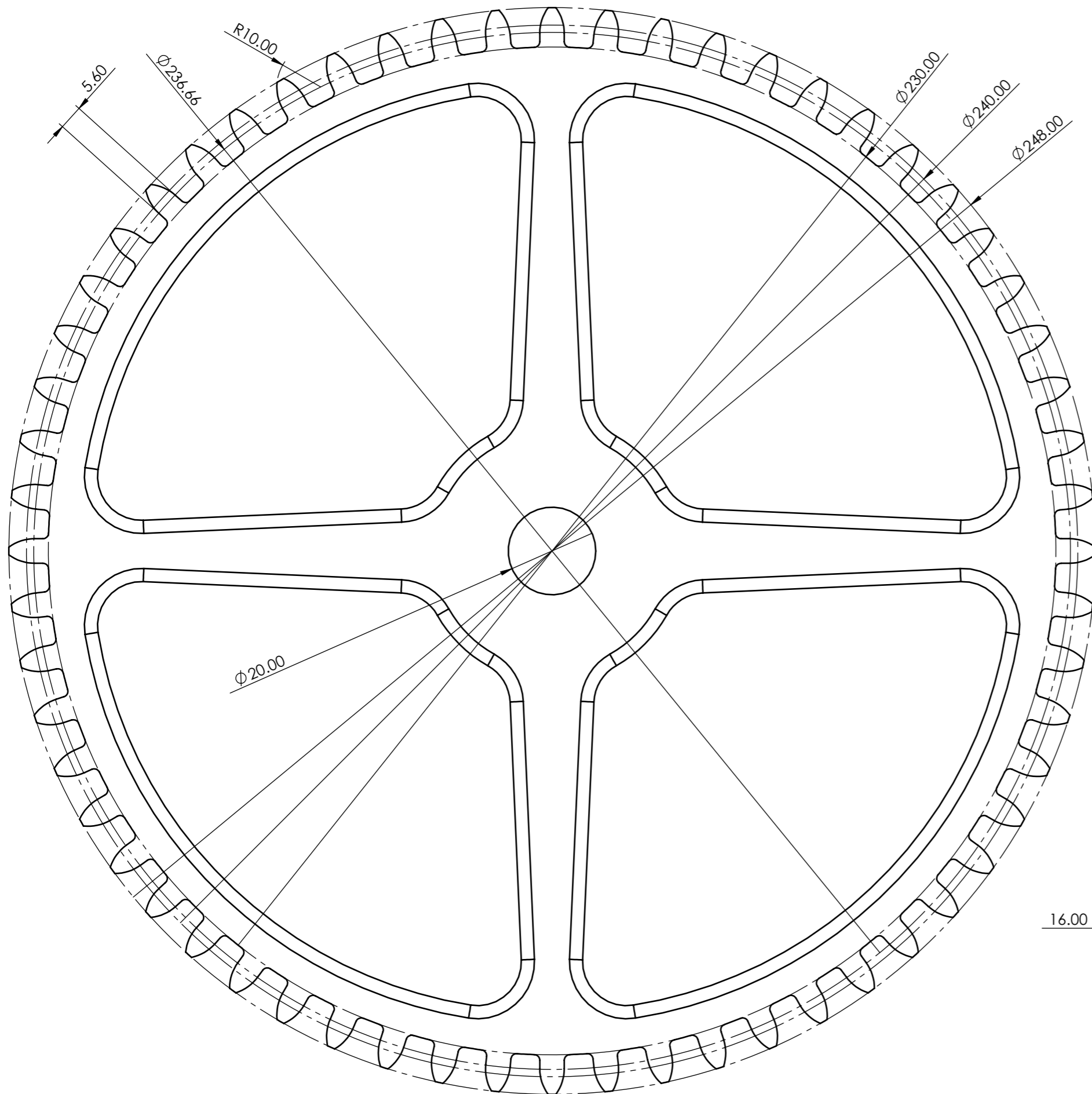


12 Clock 7 15 Teeth (Mod 6)
Scale 1:1 Shown on frame Assembly)

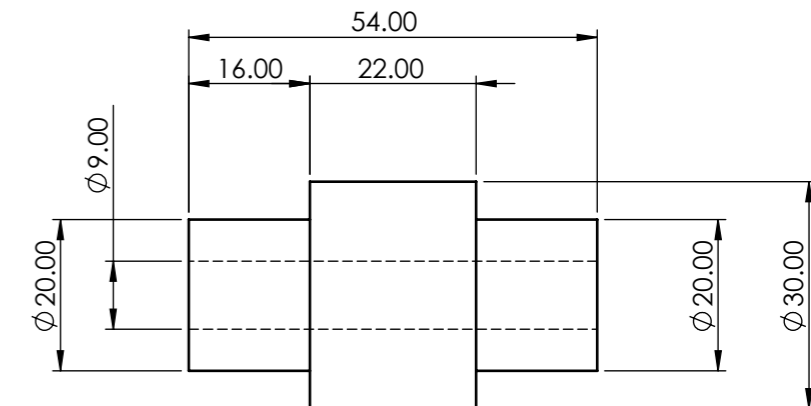
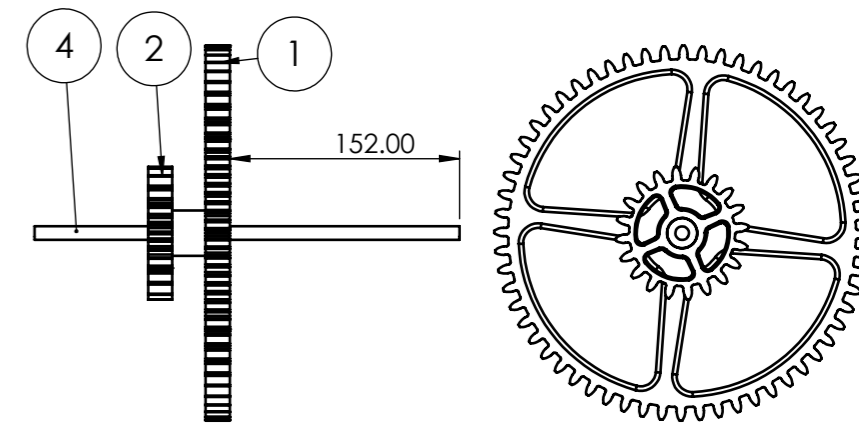
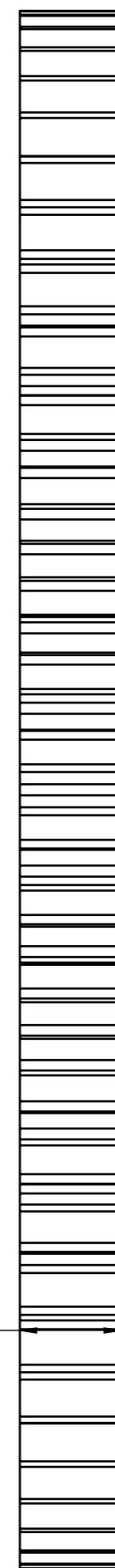


9 Clock 7 Shaft 12 335
Scale 1:1 Brass

Sht of Shts	Sht Size A3	Law Wooden Clock 7	Main Shaft 5
Not to Scale Unless otherwise stated		All dimensions in mm and (inches) 3rd Angle projection	Designed by: Brian law March 2010 www.woodenclocks.co.uk



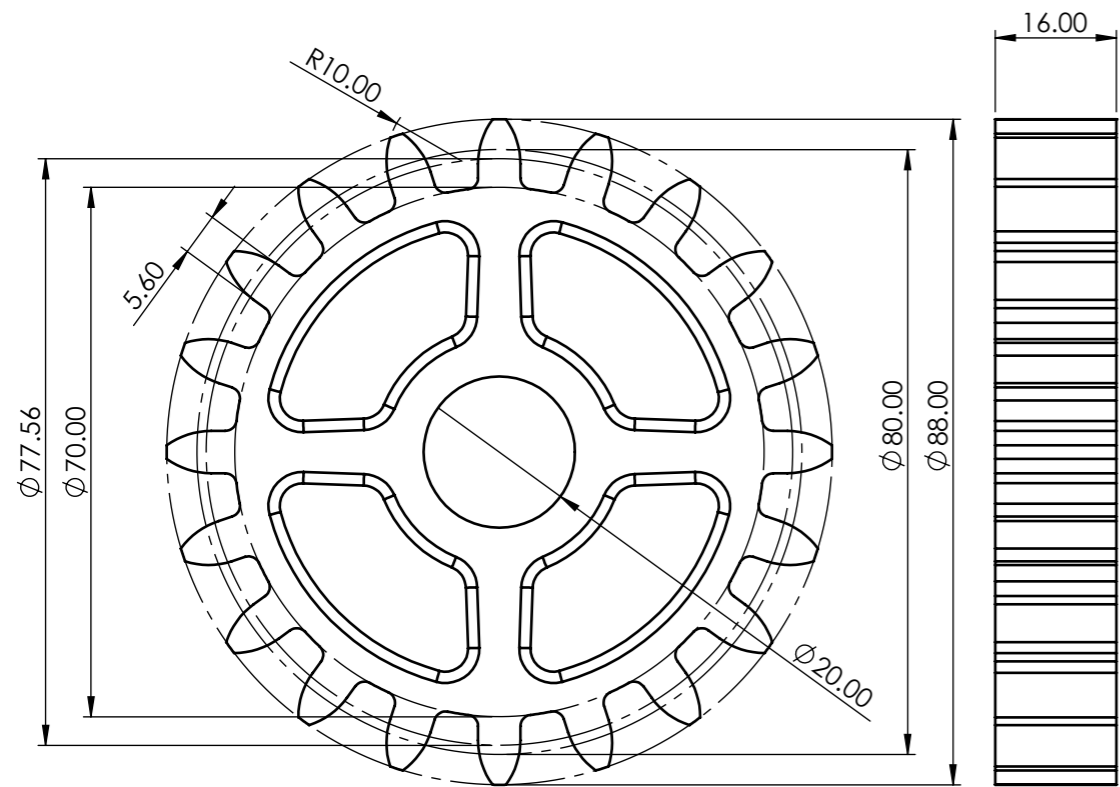
1 Clock 7 60 teeth (Mod 4)
Scale 1:1



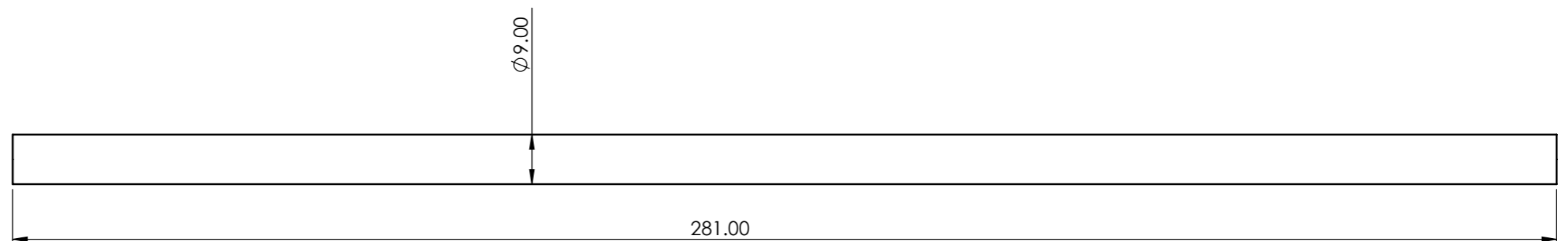
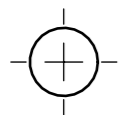
3 Clock 7 Spacer 22-10
Scale 1:1

ITEM NO.	PART NUMBER	Qty
1	Clock 7-60-Teeth	1
2	Clock 7-20-Teeth	1
3	Clock 7-Spacer-22-10	1
4	Clock 7 Shaft 9-281	1

Sht of Shts	Sht Size A3	Law Wooden Clock 7	Lower Shaft
Not to Scale Unless otherwise stated		All dimensions in mm and (inches) 3rd Angle projection	Designed by: Brian law March 2010 www.woodenclocks.co.uk

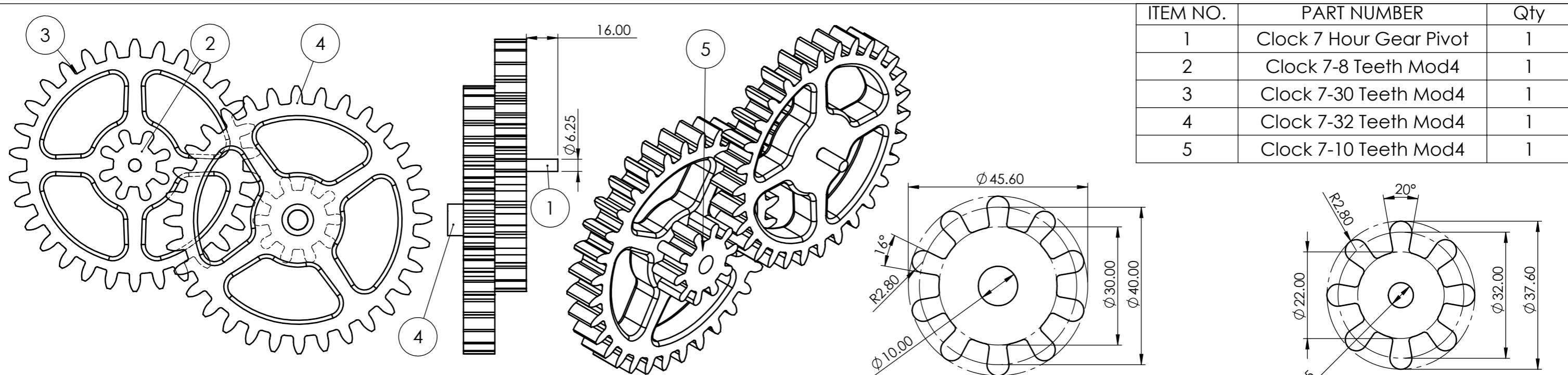


2 Clock 7 20 teeth (Mod 4)
Scale 1:1

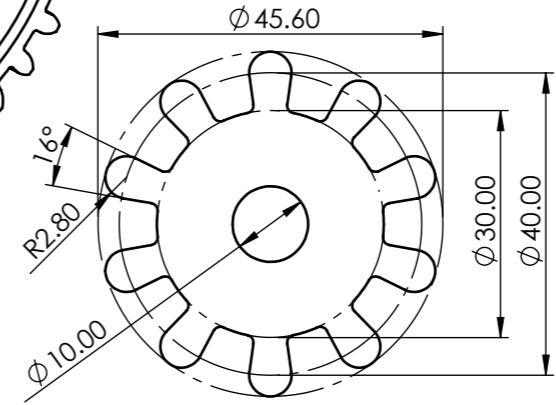


4 Clock 7 Shaft 9-281
Scale 1:1 Brass

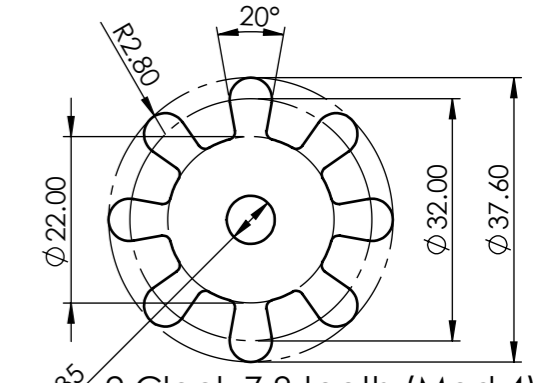
Sht of Shts	Sht Size A3	Law Wooden Clock 7	Lower Shaft 2
Not to Scale Unless otherwise stated		All dimensions in mm and (inches) 3rd Angle projection	Designed by: Brian law March 2010 www.woodenclocks.co.uk



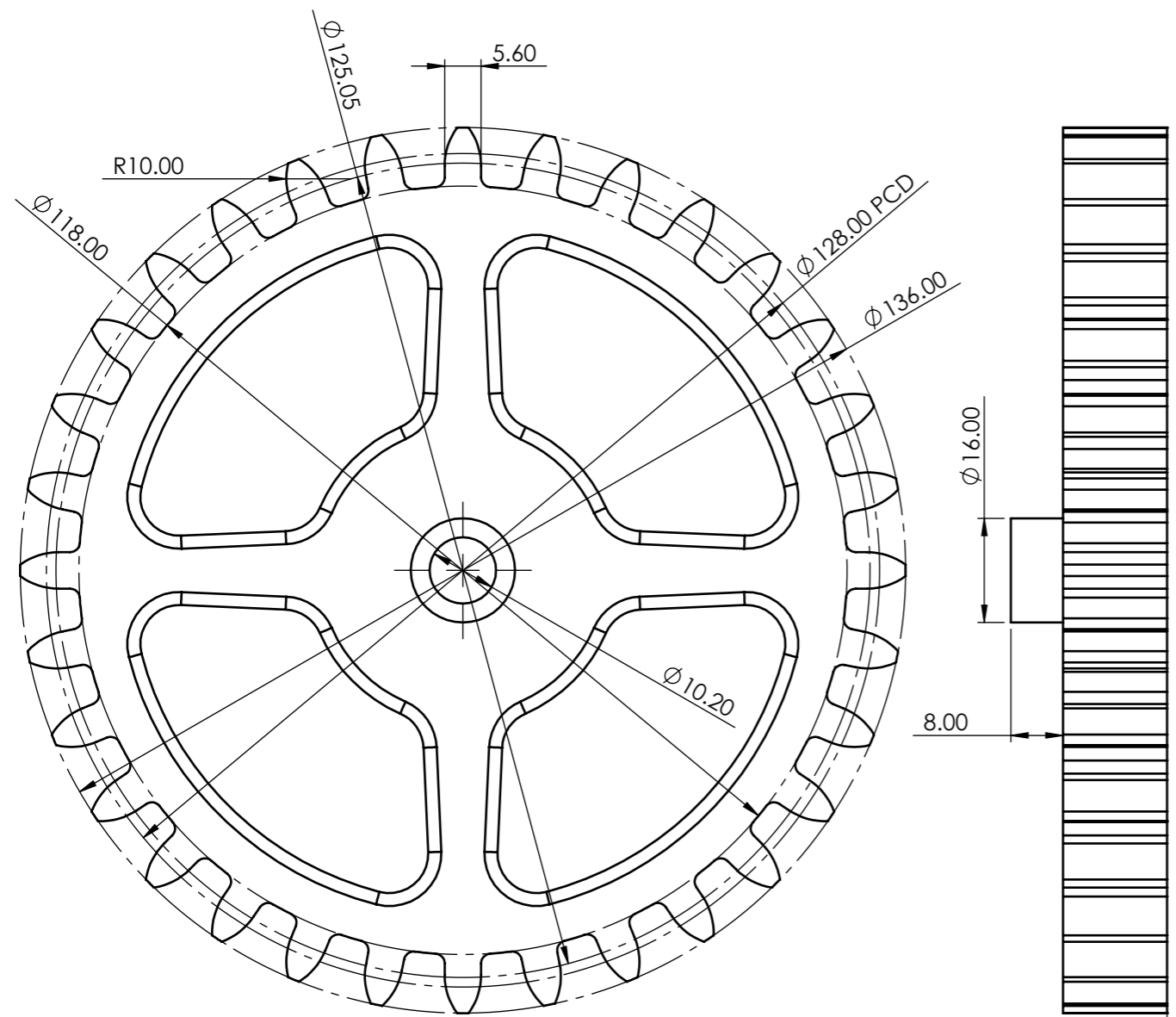
ITEM NO.	PART NUMBER	Qty
1	Clock 7 Hour Gear Pivot	1
2	Clock 7-8 Teeth Mod4	1
3	Clock 7-30 Teeth Mod4	1
4	Clock 7-32 Teeth Mod4	1
5	Clock 7-10 Teeth Mod4	1



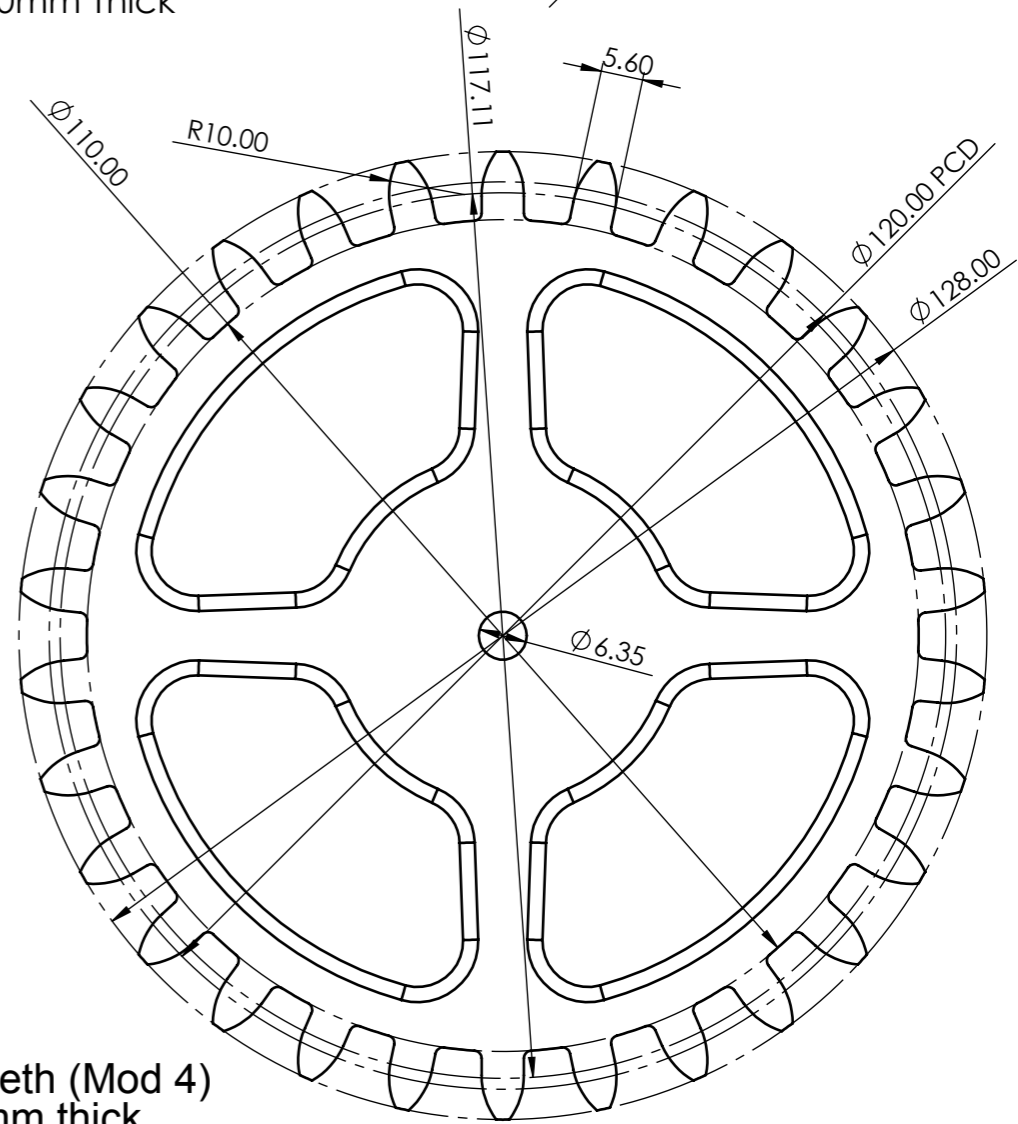
5 Clock 7 10 teeth (Mod 4)
Scale 1:1 10mm Thick



2 Clock 7 8 teeth (Mod 4)
Scale 1:1 10mm Thick

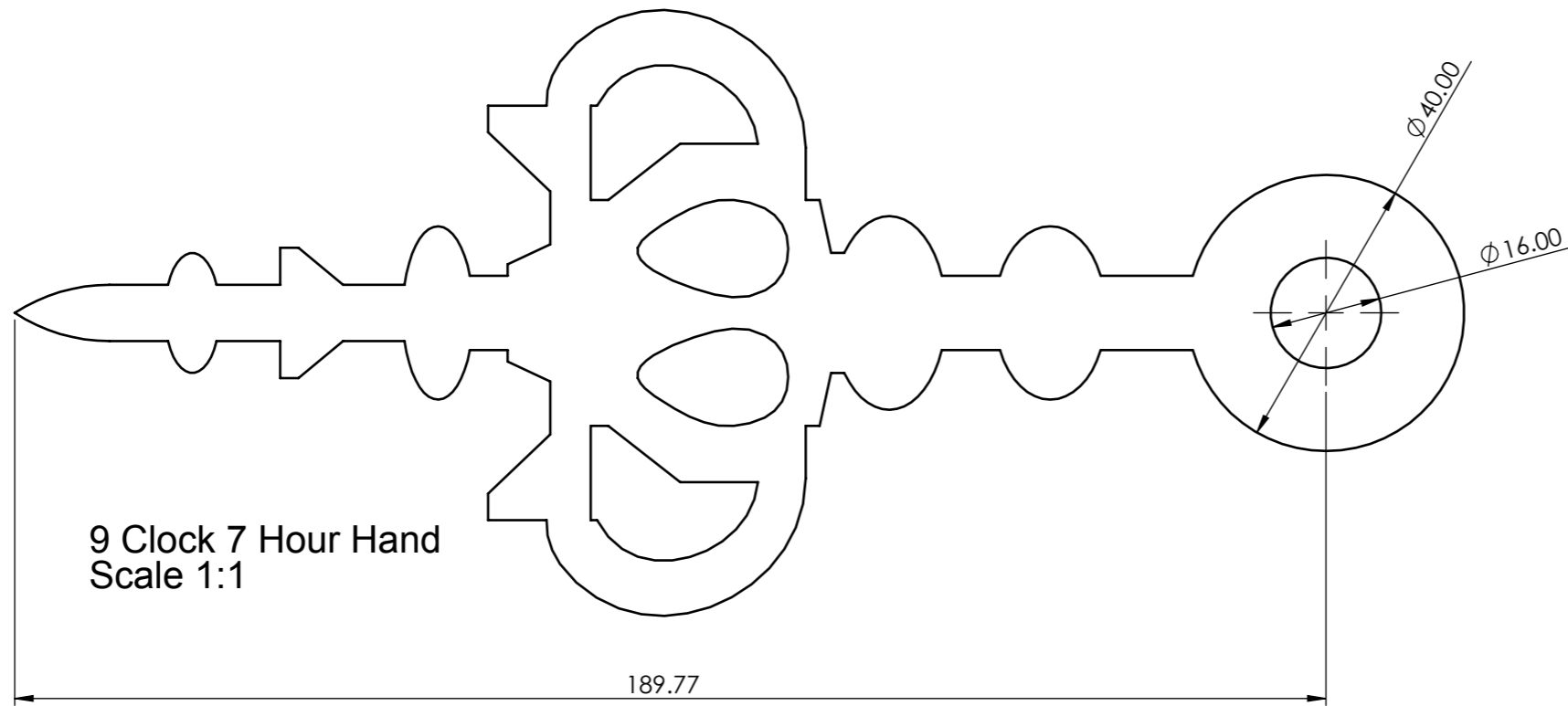
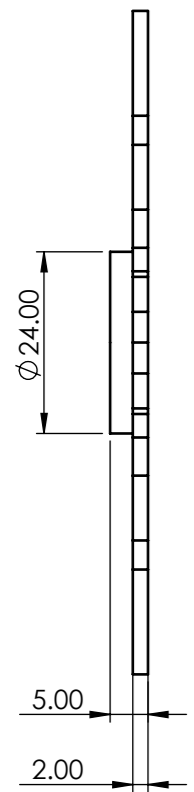


4 Clock 7 32 teeth (Mod 4)
Scale 1:1

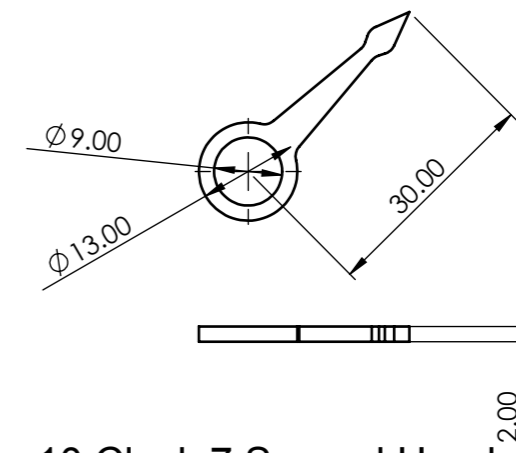


3 Clock 7 30 teeth (Mod 4)
Scale 1:1 10 mm thick

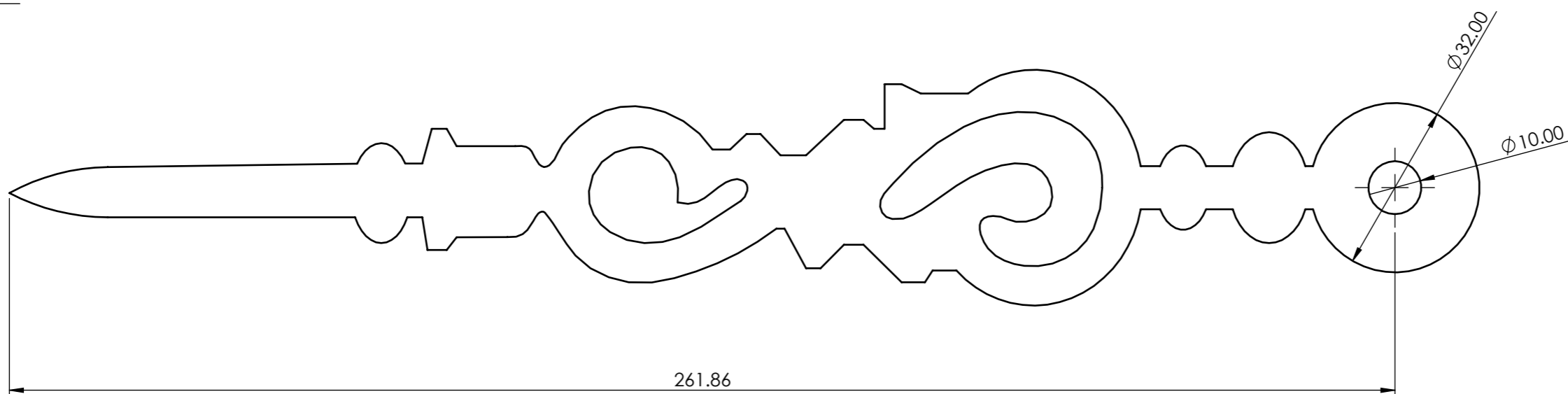
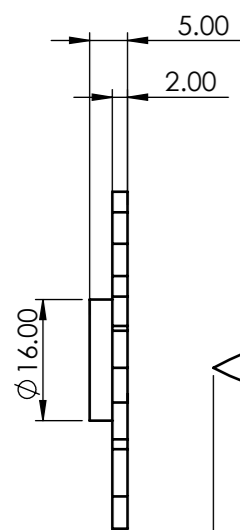
Sht of Shts	Sht Size A3	Law Wooden Clock 7	Hour Gears
Not to Scale Unless otherwise stated		All dimensions in mm and (inches) 3rd Angle projection	Designed by: Brian law March 2010 www.woodenclocks.co.uk



9 Clock 7 Hour Hand
Scale 1:1



10 Clock 7 Second Hand
Scale 1:1



8 Clock 7 Minute Hand
Scale 1:1

Sht of Shts	Sht Size A3	Law Wooden Clock 7	Hands
Not to Scale Unless otherwise stated		All dimensions in mm and (inches) 3rd Angle projection	March 2010 Designed by: Brian law www.woodenclocks.co.uk