

ITEM NO.	PART NUMBER	DESCRIPTION	QTY.
2	Back Frame	Wood 6mm thk	1
3	Front Frame	Wood 6mm thk	1
4	Top Spacer	Wood 6mm thk	1
5	Top Brace	Wood 6mm thk	1
6	Bottom Brace	Wood 6mm thk	1
7	Bottom Spacer	Wood 6mm thk	1
8	wedge	Wood 6mm thk	2
9	Back Frame Stiffener-bottom	Wood 6mm thk	1
10	Gears 64-Teeth	Wood 6mm thk	1
11	Gears 60-Teeth2	Wood 6mm thk	1
12	60T gear Spacer	Wood	1
13	Gears 8-Teeth	Wood 6mm thk	2
14	Escape wheel-30	Wood	1
15	Dial	Wood 6mm thk	1
16	Seconds-Dial	Wood	1
17	Hour Gears-8 Teeth	Wood 6mm thk	1
18	Hour Gears-32 Teeth	Wood 6mm thk	1
19	Hour Gears-30 Teeth	Wood 6mm thk	1
20	Hour Gears-10 Teeth	Wood 6mm thk	1
21	Wall Spacer	Wood 6mm thk	2
22	Hour Tube	Wood	1
23	Escapement-2	Wood 6mm thkx2	1
24	Escapement-Pendulum Spacer	Acrylic Tube Ø6.4xØ4x12	1
25	Pallet	ABS 2mm thick	2
26	Pallet Clamp	Wood 6mm thk	2
27	Pendulum Head	Wood 6mm thkx2	1
28	Pendulum Bob-outer	Wood 6mm thk	2
29	Pendulum Bob-inner	Wood 6mm thk	2
30	Pendulum Bob Lock	Wood 6mm thk	1
31	Pendulum Bob Pin	Ø6 Brass	4
32	2 mm Spacer	Acrylic Tube Ø6.4xØ4x2	5
33	Pendulum Hanger-spacer	Wood 6mm thk	3
34	Pendulum Rod	Carbon Fibre Tube Ø6xØ4	1
35	Pendulum Hanger	Wood 6mm thk	1
36	Minute Hand	ABS 2mm thick	1
37	Hour Hand	ABS 2mm thick	1
38	Seconds-hand	ABS 2mm thick	1
39	Seconds Shaft	Silver Steel Ø3mmx96	1
40	Minute Shaft	Silver Steel Ø3mmx113	1
41	Drum Half	Wood 6mm thk	2
42	Drum Spacer	ABS 2mm thick	3
43	Pawl	Wood 6mm thk	1
44	Intermediary Spacer-Front	Acrylic Tube Ø6.4xØ4x26	1
45	Intermediary Spacer-Middle	Acrylic Tube Ø6.4xØ4x14	1
46	Intermediary Spacer-rear	Acrylic Tube Ø6.4xØ4x18	1
47	Escapewheel Spacer-Long	Acrylic Tube Ø6.4xØ4x46	1
48	Escapewheel Spacer-Short	Acrylic Tube Ø6.4xØ4x10	1
49	Weight Tube-PVC tube	Pipe Ø50mmx.4mmthk	1
50	Ratchet	Wood 6mm thk	1
51	Weight Bottom	Wood 6mm thk	1
52	Weight Top	Wood 6mm thk	1
53	Dial Spacer	Wood 7mm thk	2
54	Drive Pin	Silver Steel Ø3mmx24	2
55	Intermediary Shaft	Silver Steel Ø3mmx82	1
56	Pawl Pivot Pin	Silver Steel Ø3mmx12	1
57	Escapement Pivot	Silver Steel Ø3mmx47	1
58	Front Frame Pin	Silver Steel Ø3mmx17	2
59	Seconds Dial Pin	Silver Steel Ø3mmx10	2
60	Hour Gears Pivot	Silver Steel Ø3mmx18	2
61	Pendulum Hanger-Pin	Silver Steel Ø3mmx30	2
62	Pendulum-Drive Pin	Silver Steel Ø3mmx40	1
63	Cord Pull	Wood	1
64	Weight-Cord	Cord Ø1mm	1
65	Small Hook	Brass	1
66	No 5 Woodscrew	Brass	3
67	No 10 Woodscrew	Brass	2
68	Pull-Cord	Cord Ø1mm	1

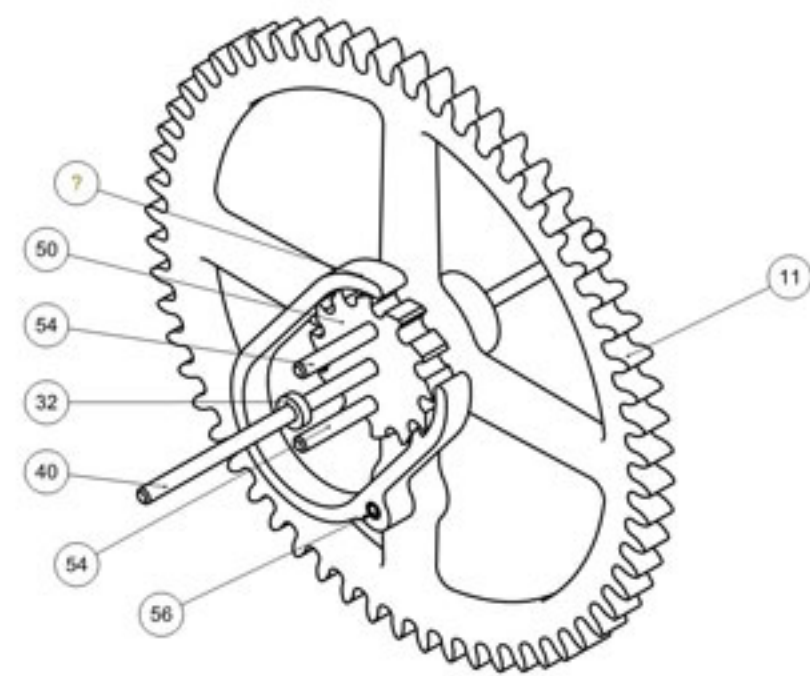
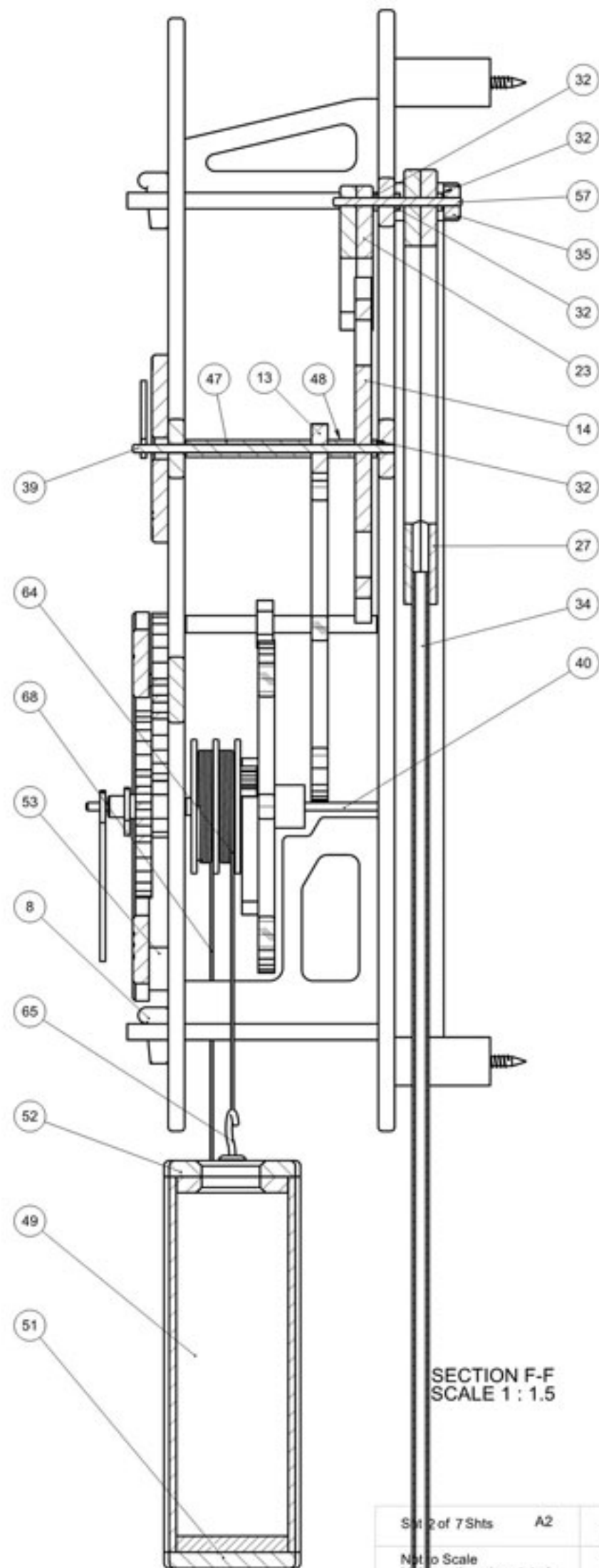
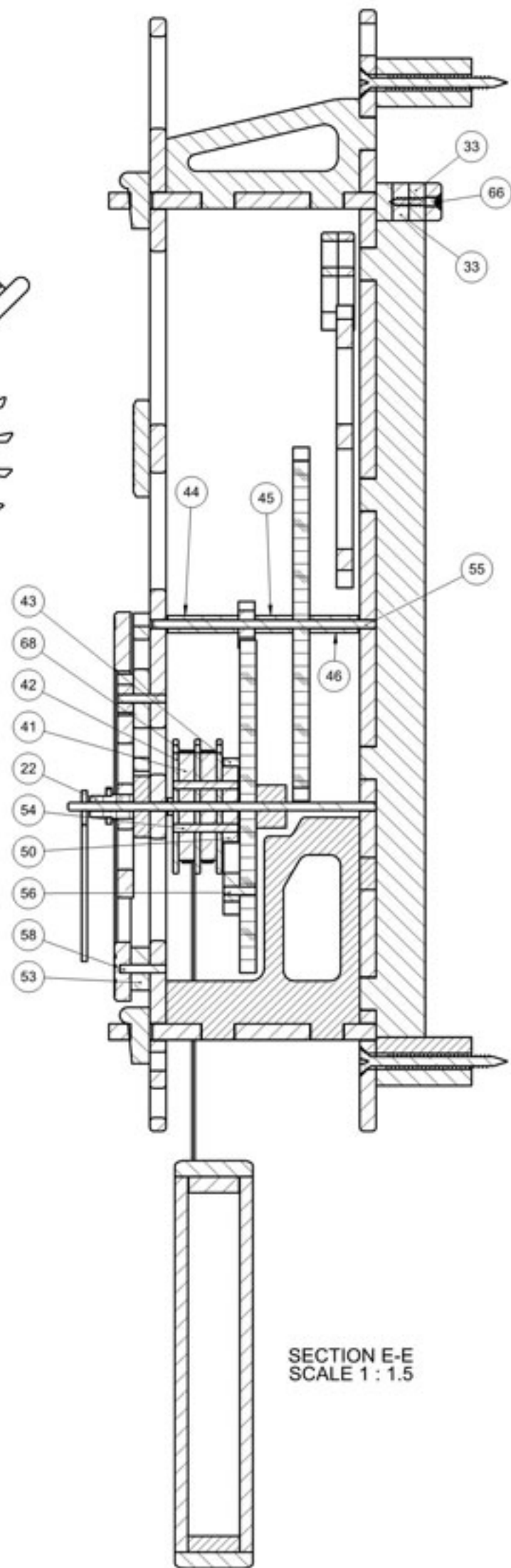
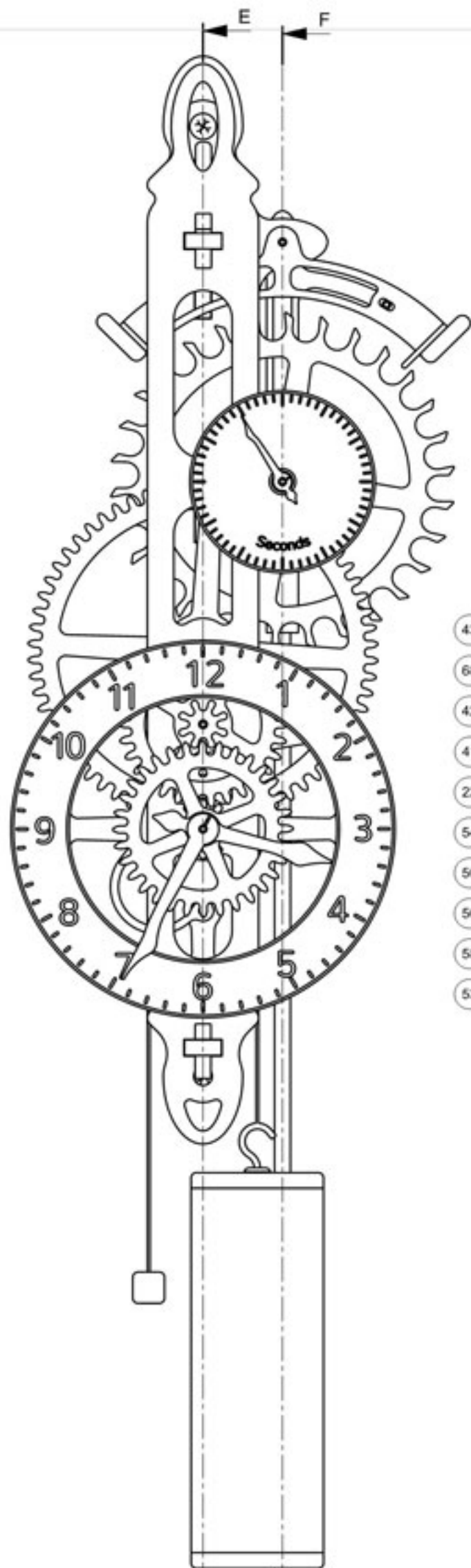
Sht 1 of 7 Shts A2

The Starter Clock

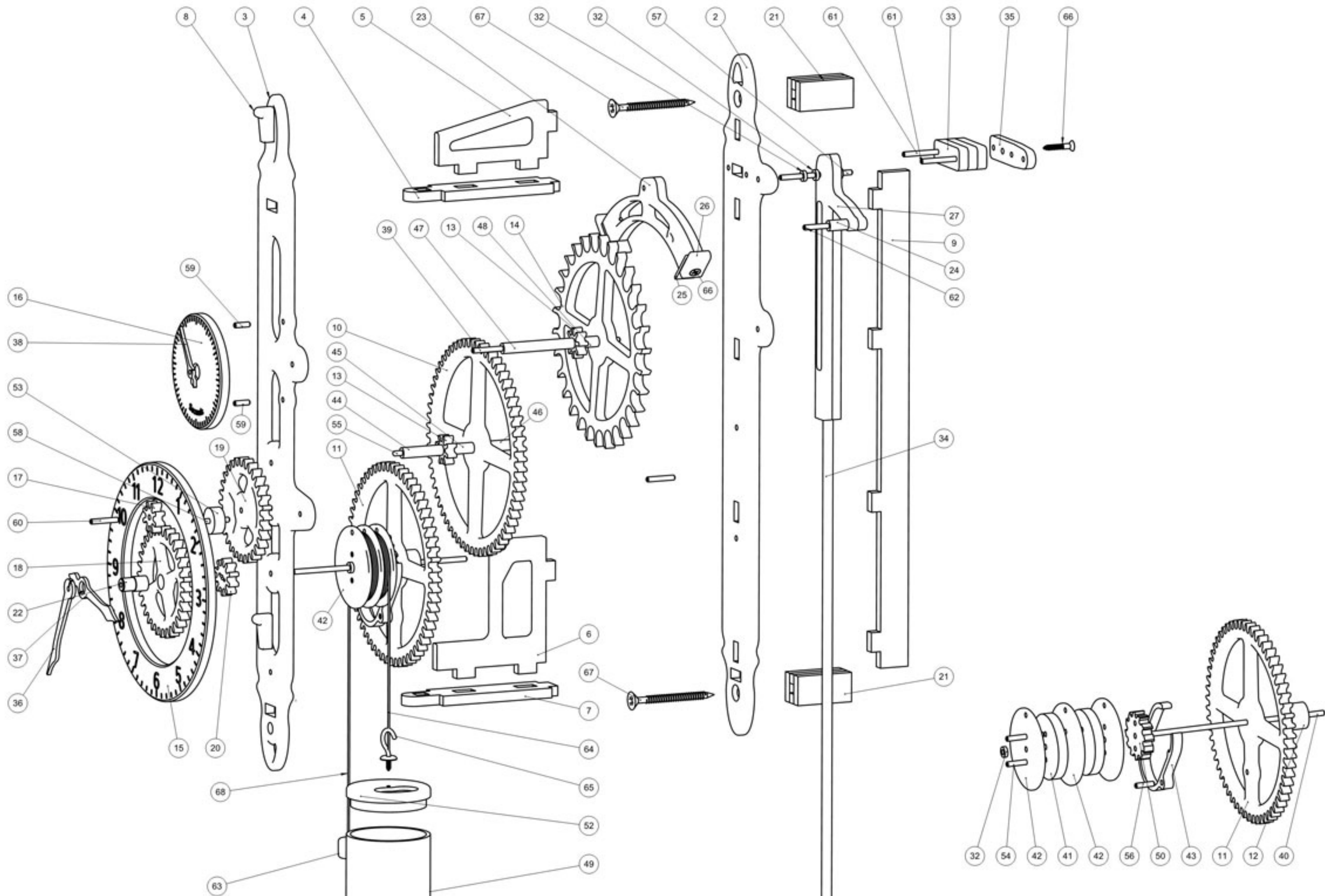
Not to Scale Unless otherwise stated

All dimensions in mm and (inches) 3rd Angle projection

Designed by: Brian law October 2019 www.woodenclocks.co.uk



View showing the drive assembly with Drum removed to show the Ratchet.



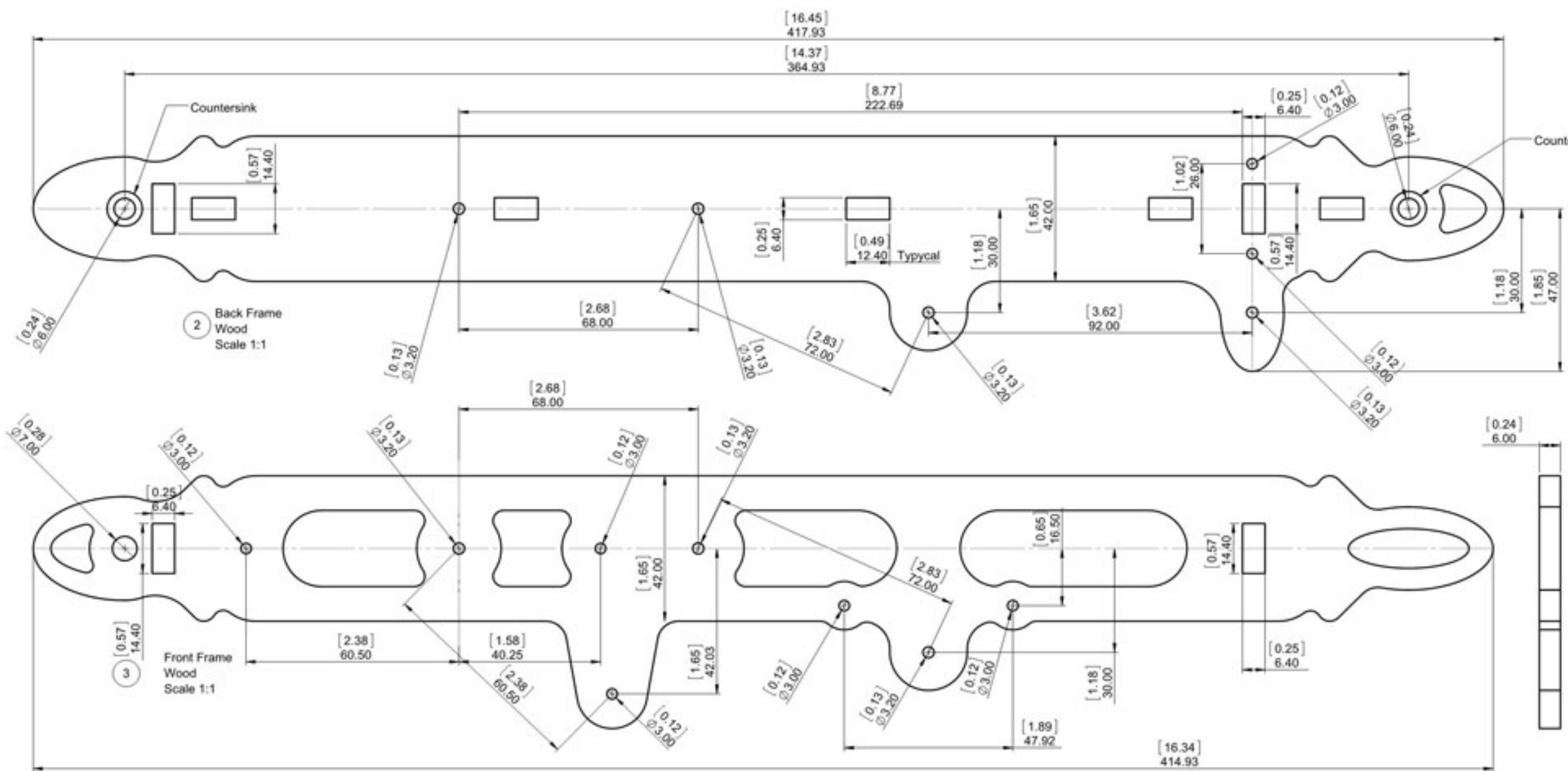
Sht 3 of 7 Shts A2

The Starter Clock

Not to Scale
Unless otherwise stated

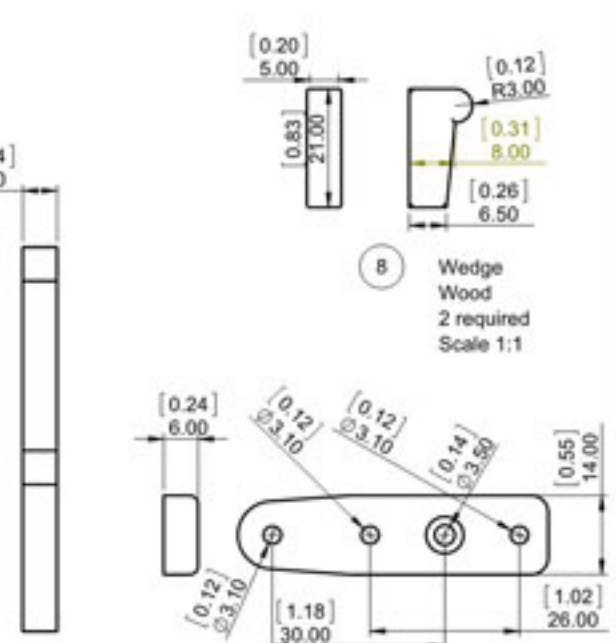
All dimensions in mm and (inches)
3rd Angle projection

October 2019
Designed by: Brian Iaw
www.woodenclocks.co.uk

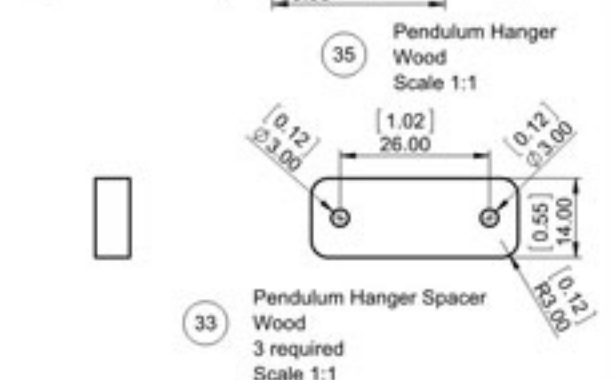


2 Back Frame
Wood
Scale 1:1

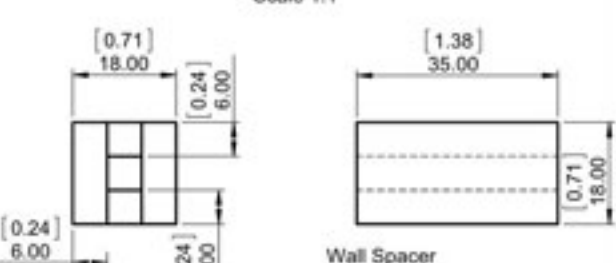
3 Front Frame
Wood
Scale 1:1



8 Wedge
Wood
2 required
Scale 1:1



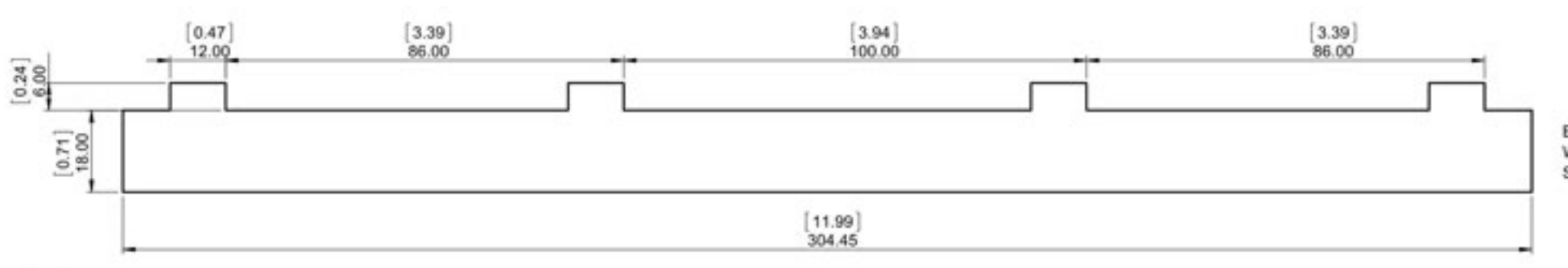
35 Pendulum Hanger
Wood
Scale 1:1



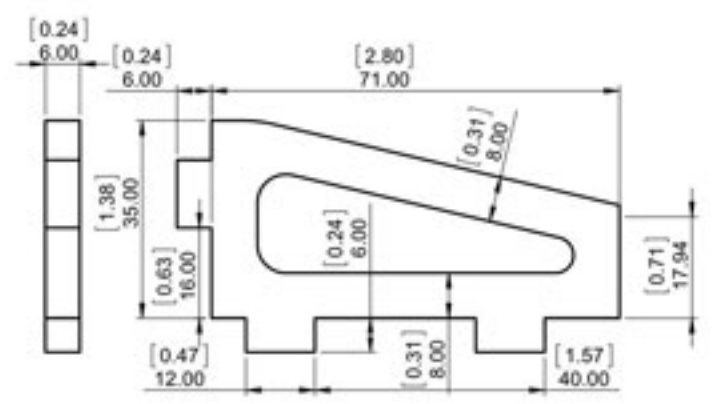
33 Pendulum Hanger Spacer
Wood
3 required
Scale 1:1



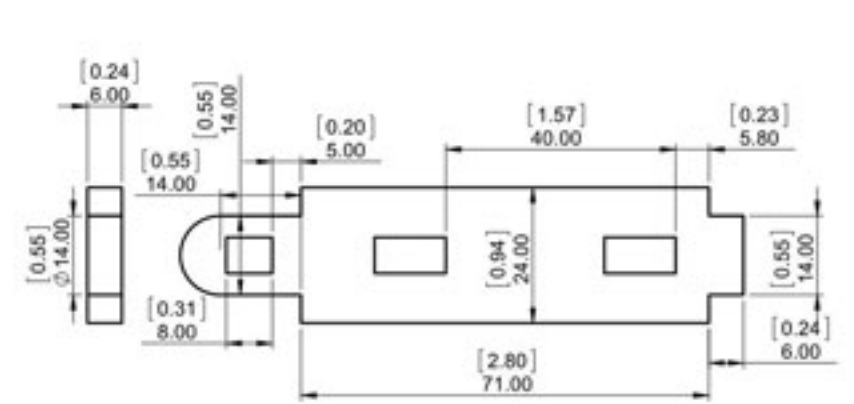
21 Wall Spacer
Wood Fabricate from 4 parts
2 required
Scale 1:1



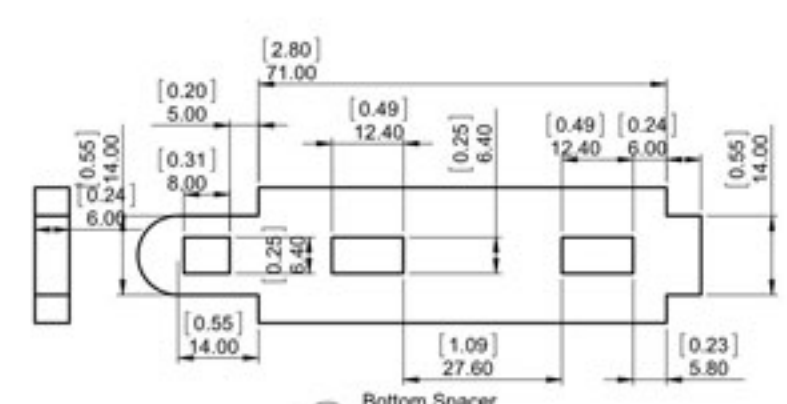
1 Back Frame Stiffener
Wood
Scale 1:1



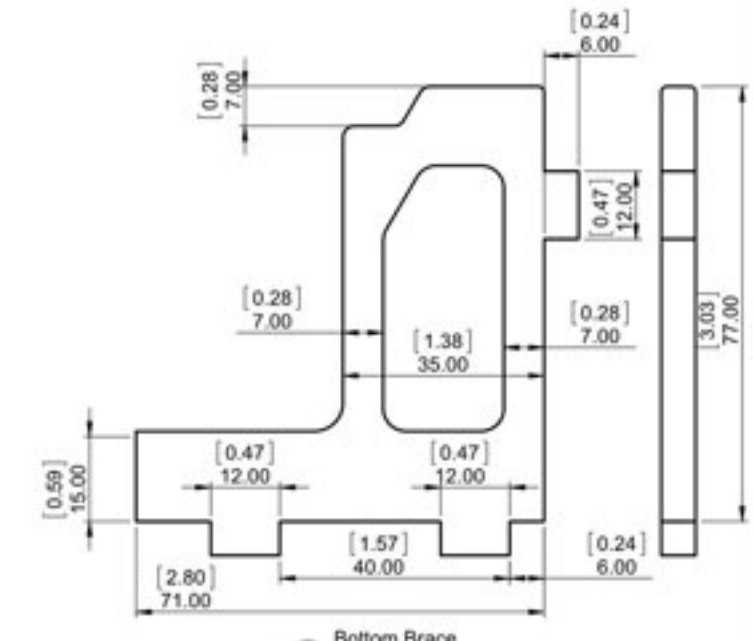
5 Top Brace
Wood
Scale 1:1



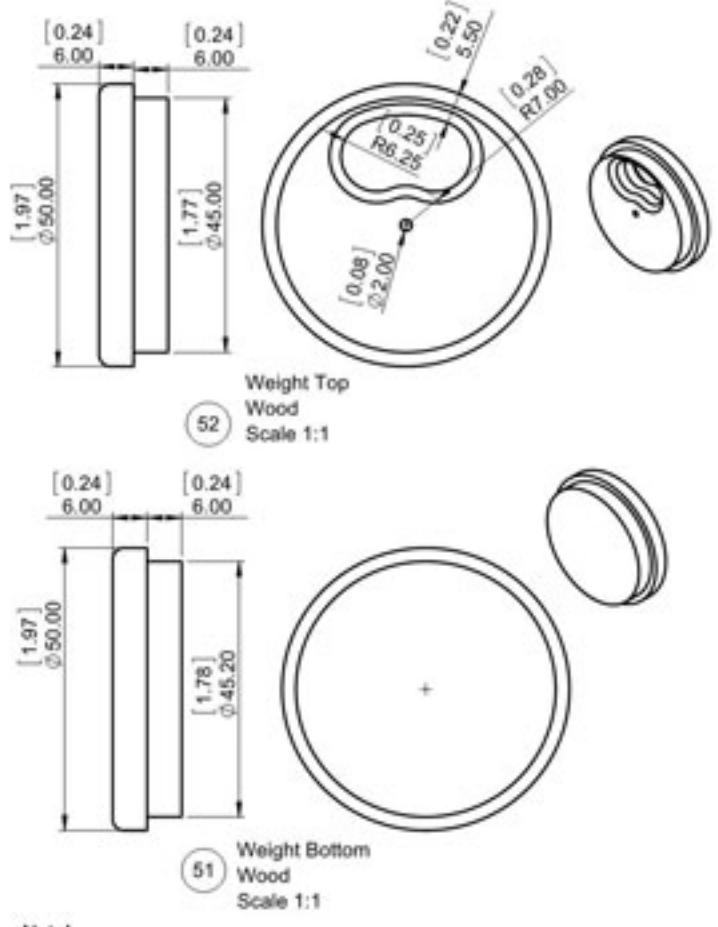
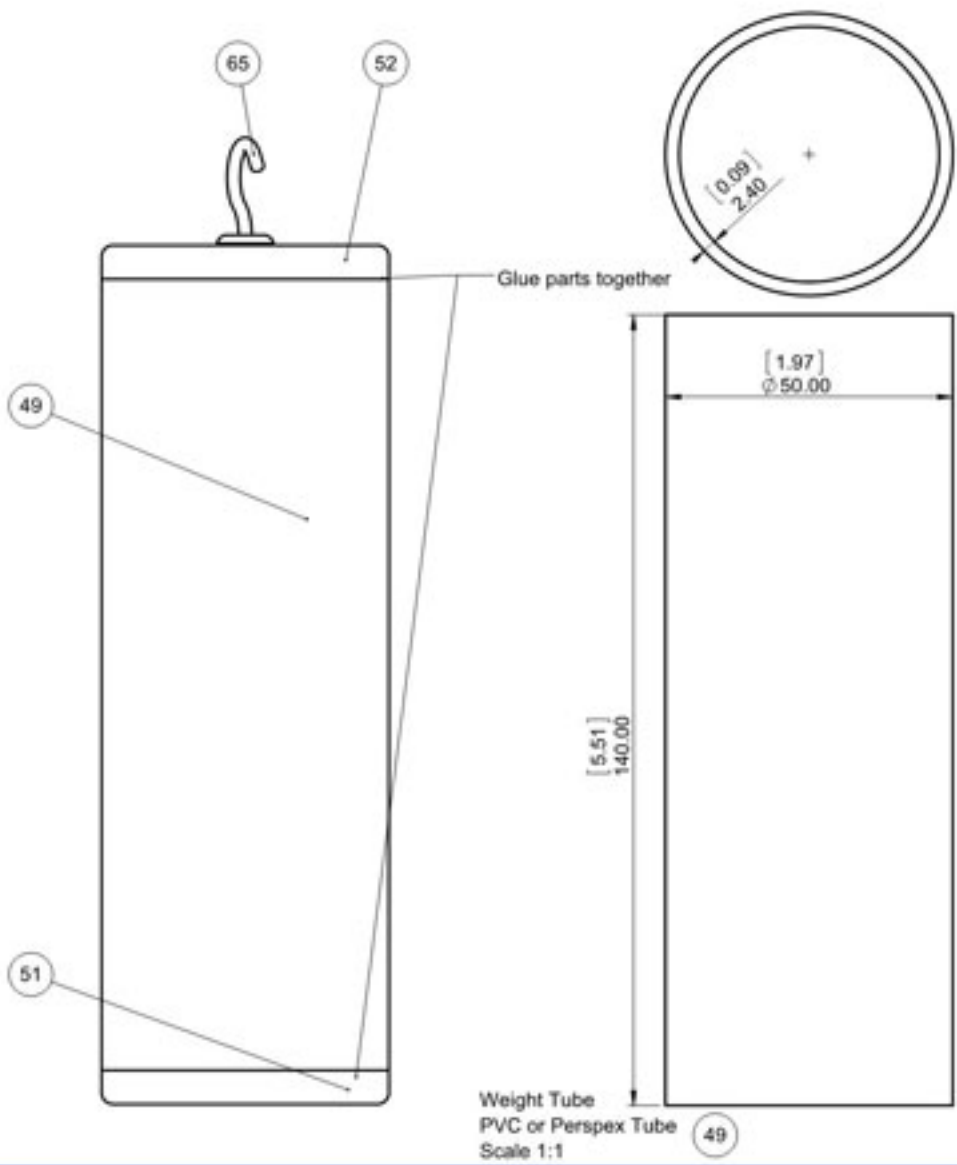
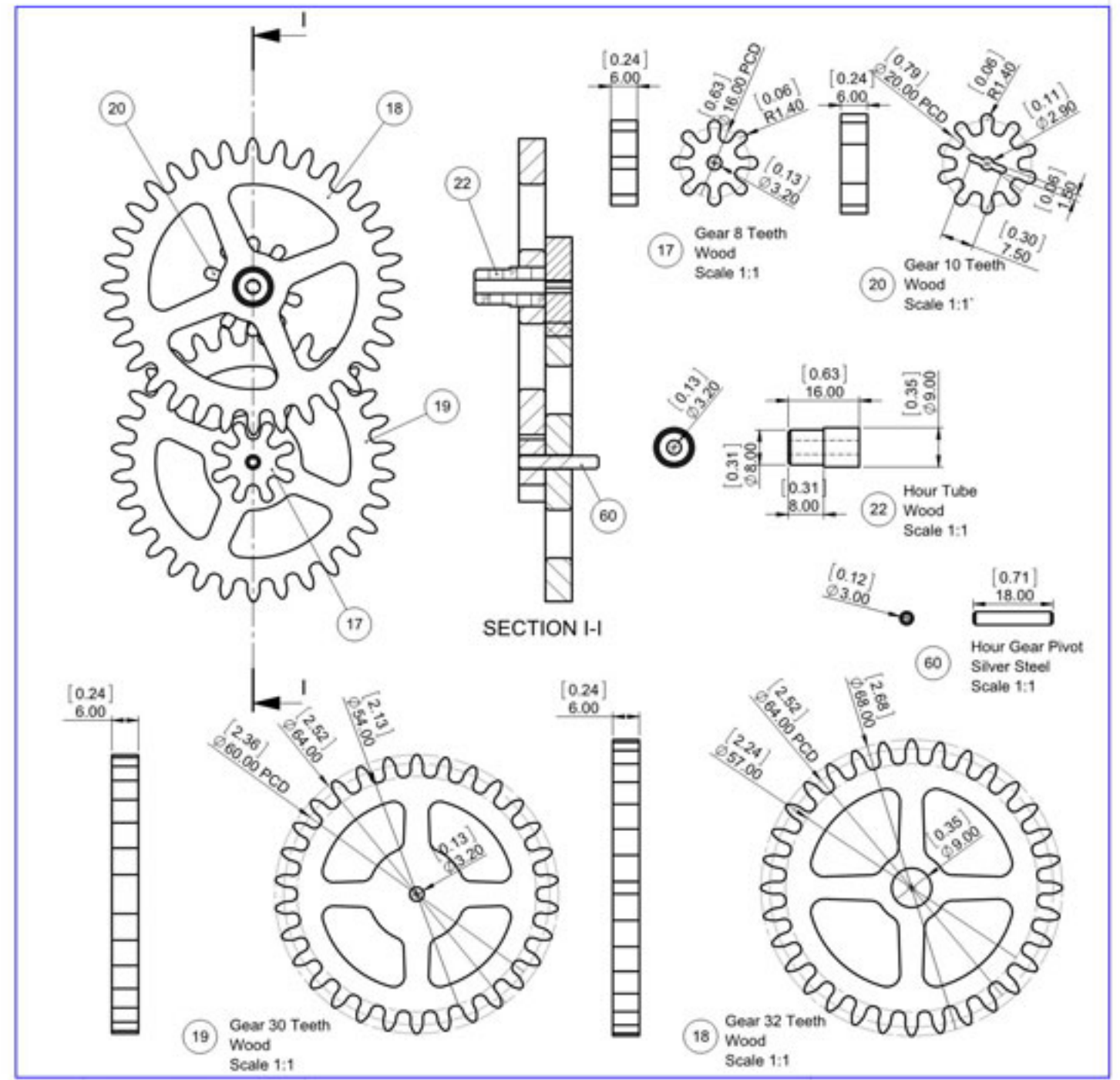
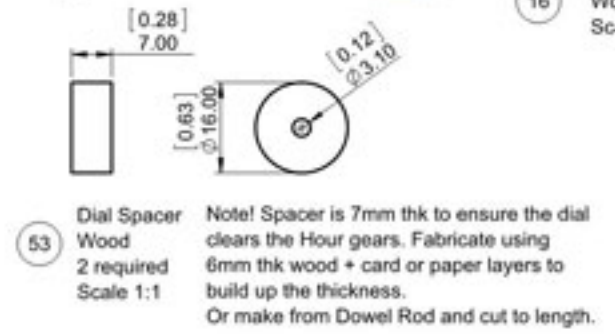
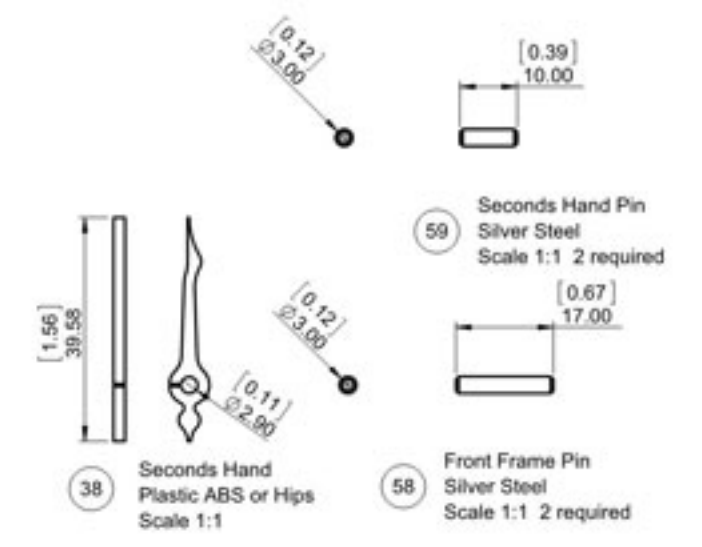
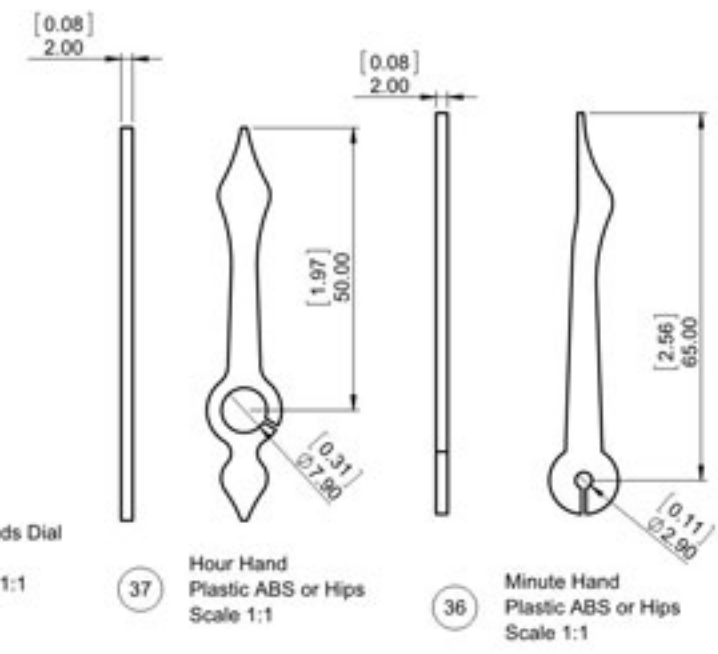
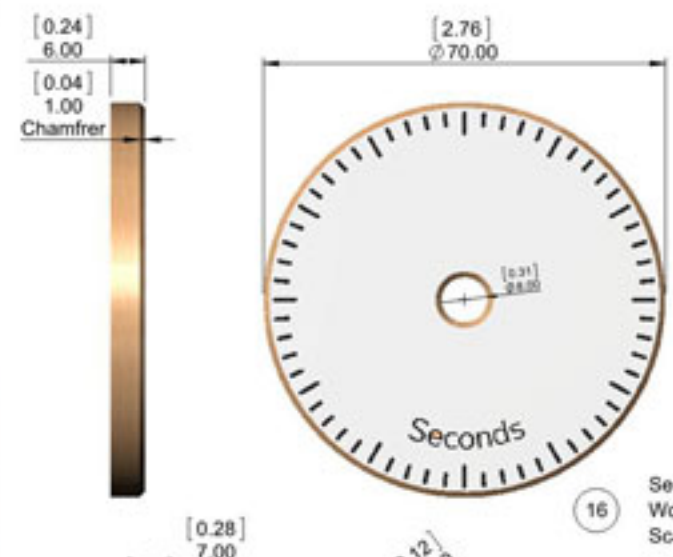
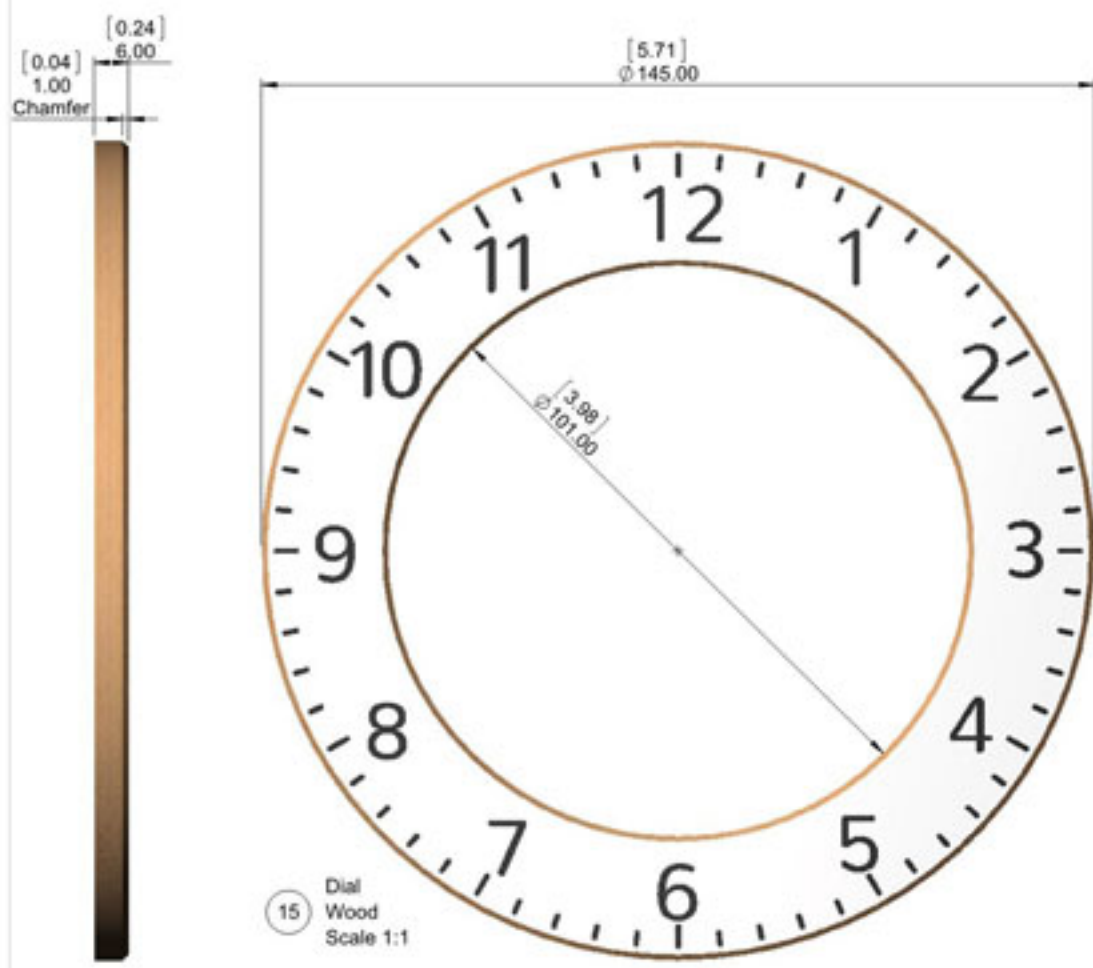
4 Top Spacer
Wood
Scale 1:1



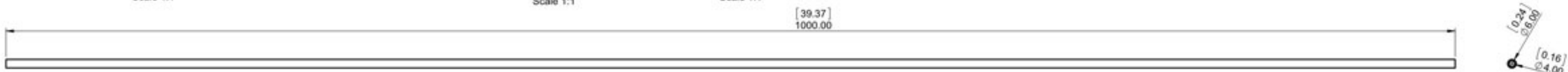
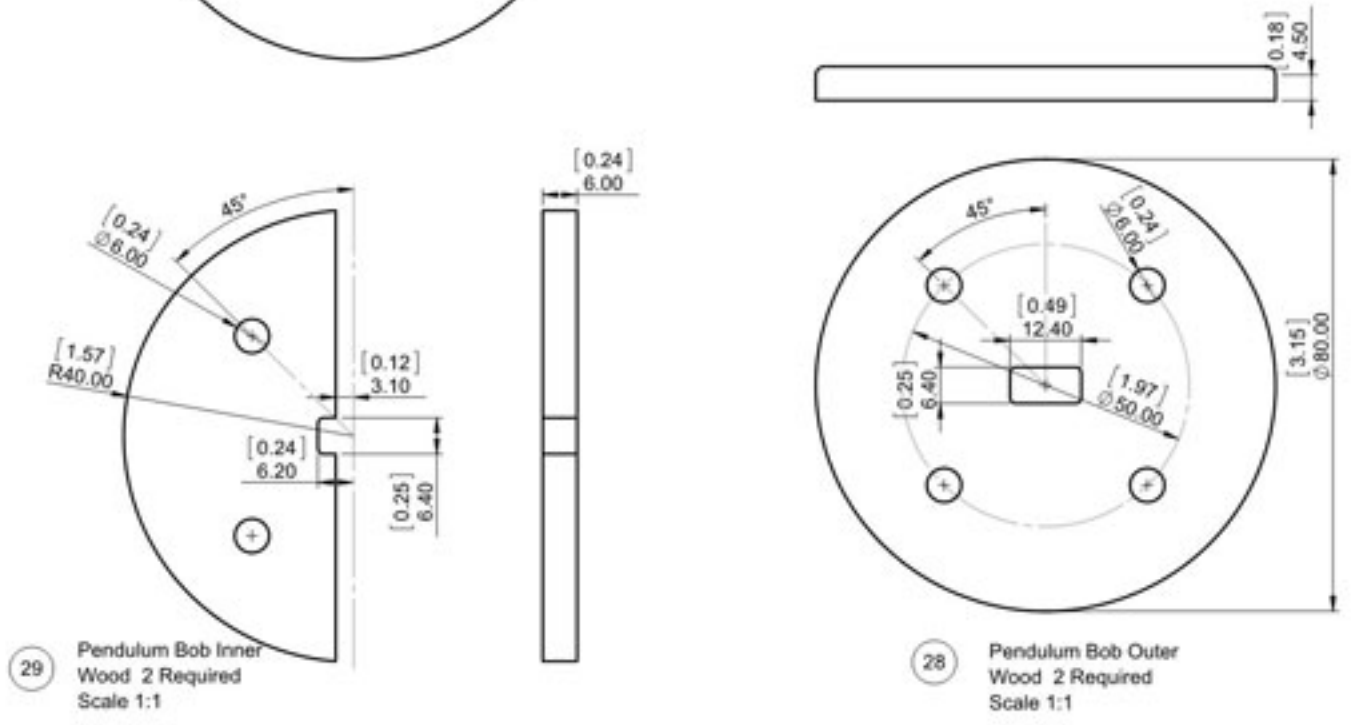
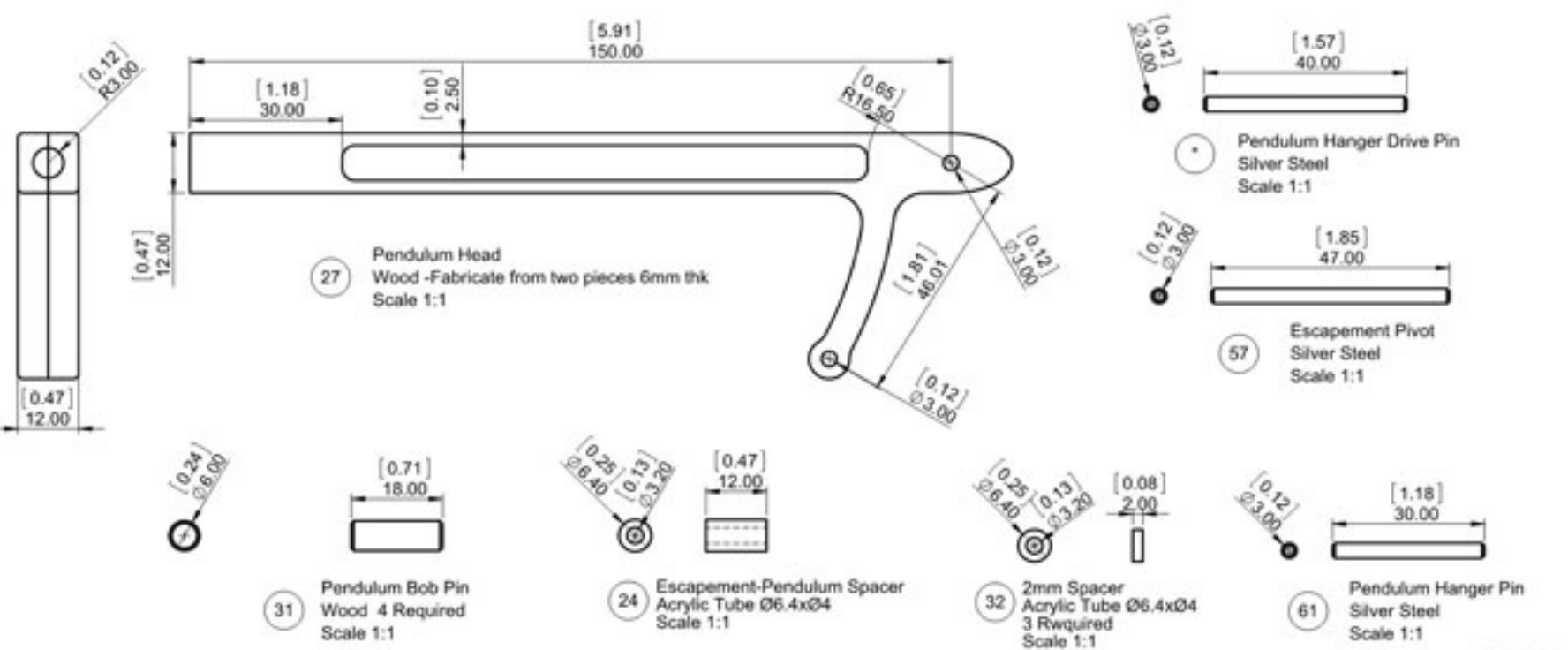
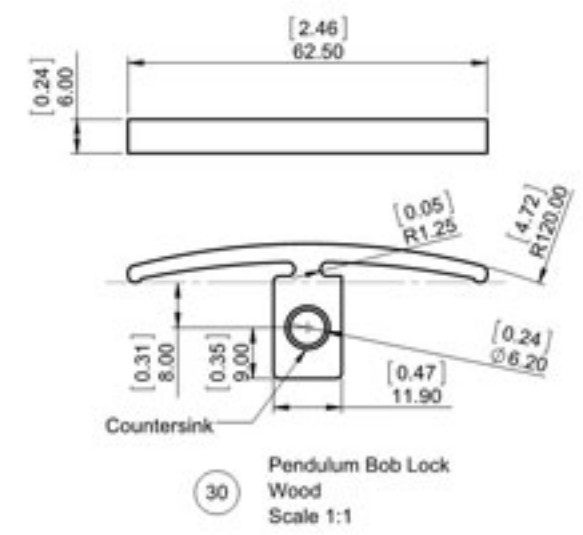
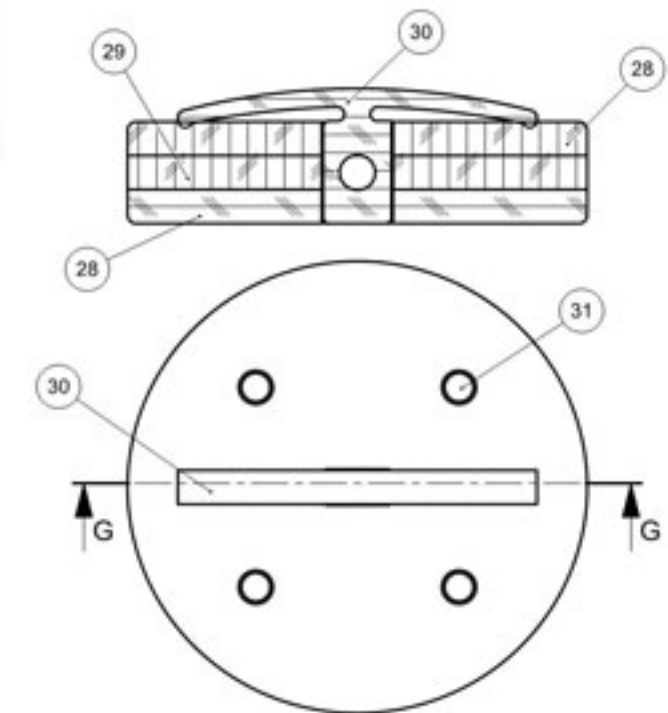
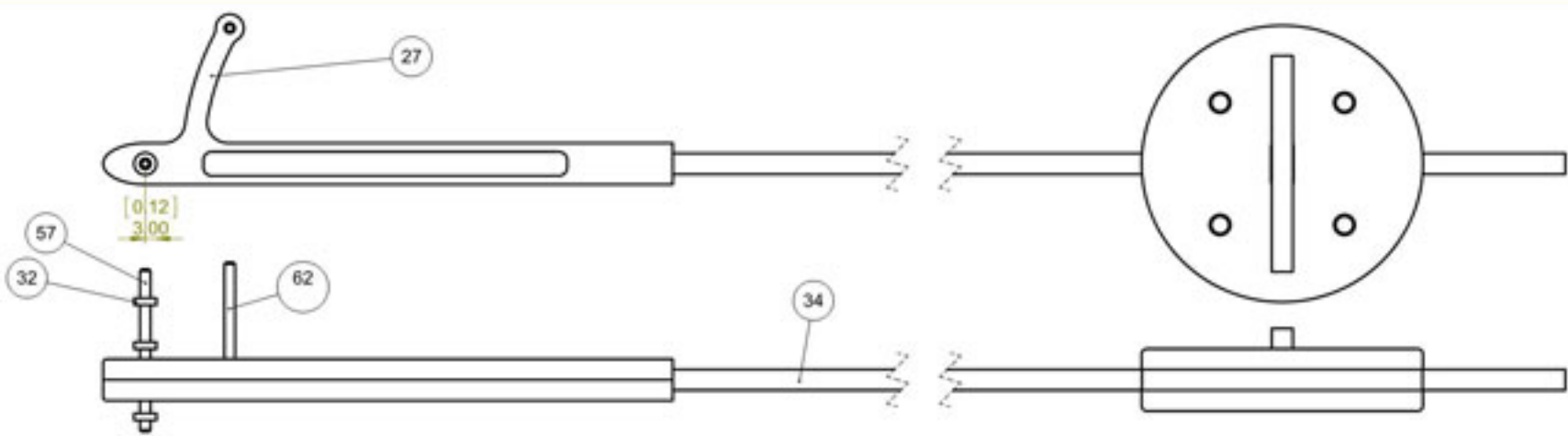
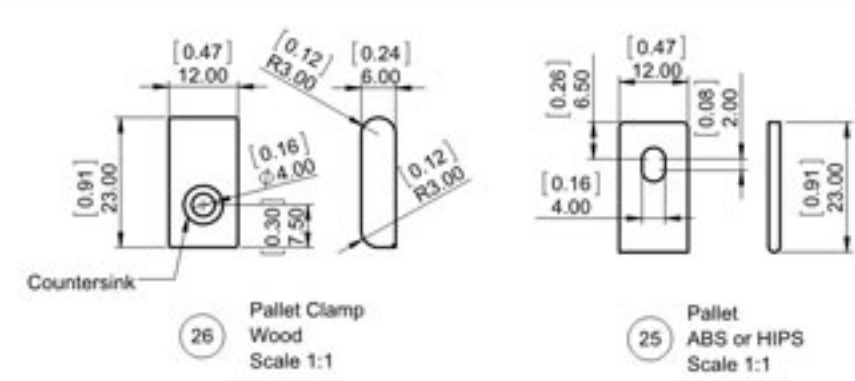
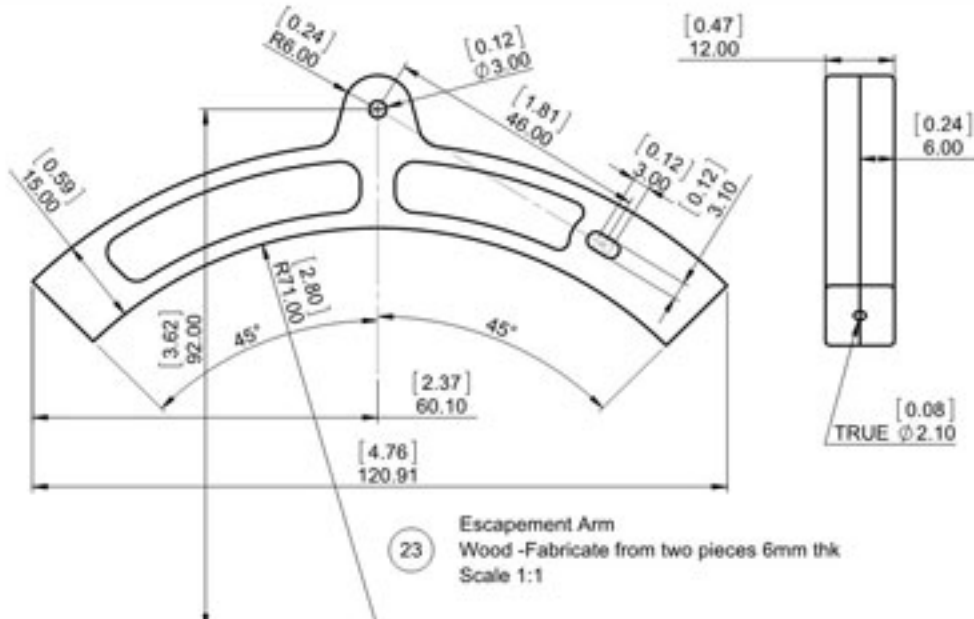
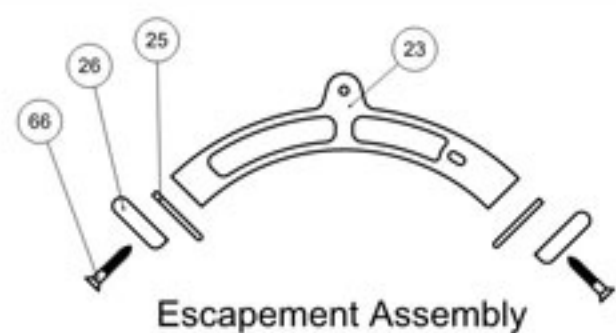
7 Bottom Spacer
Wood
Scale 1:1



6 Bottom Brace
Wood
Scale 1:1



Note!
Use Plastic Drain pipe cut to length and cover the outside with Sticky backed Vinyl Gold sheet.
Fill to the required weight using Catapult Ammo (Ball Bearings) through the semi circular cut out in the top.



Pendulum Assembly