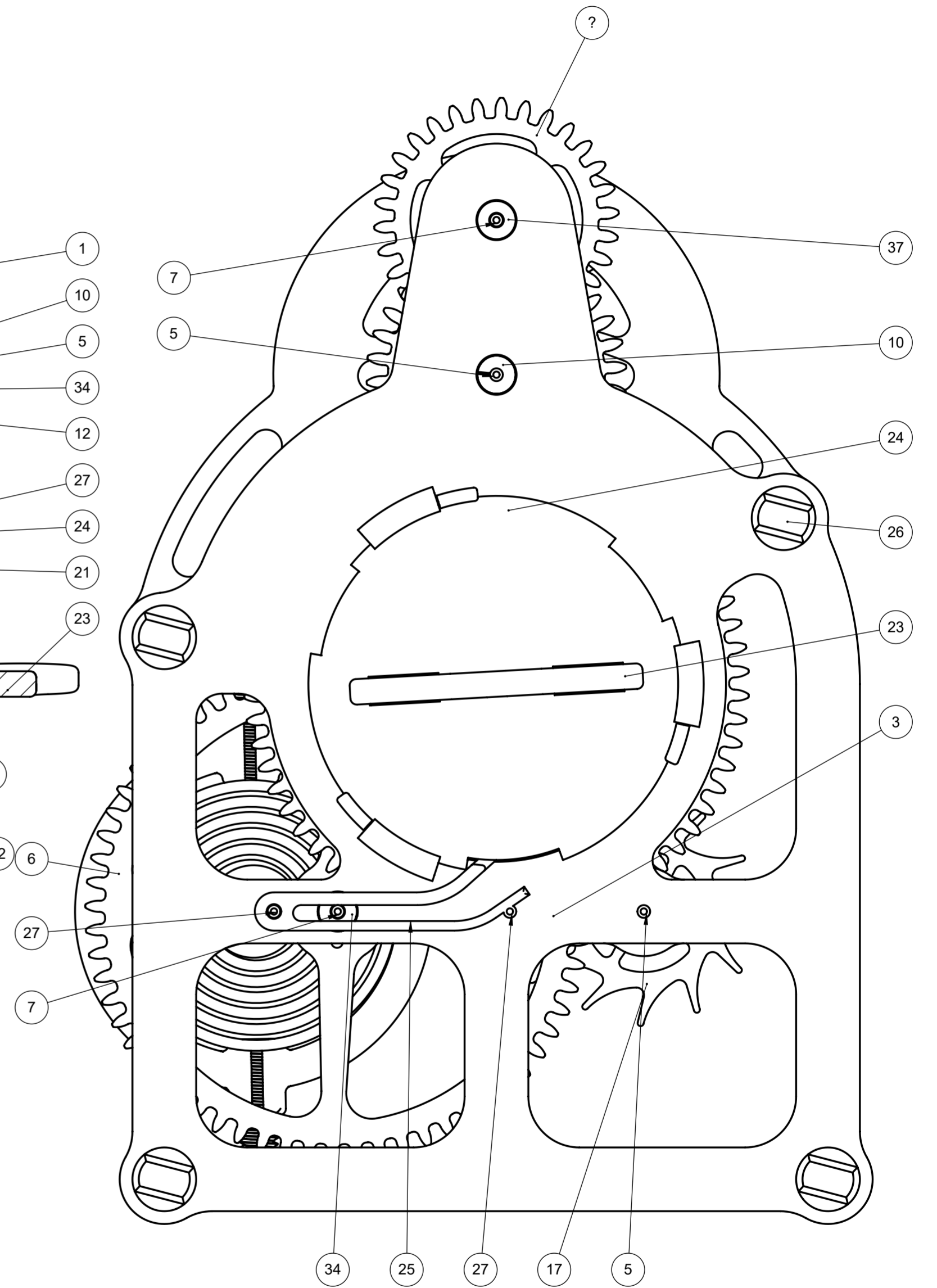
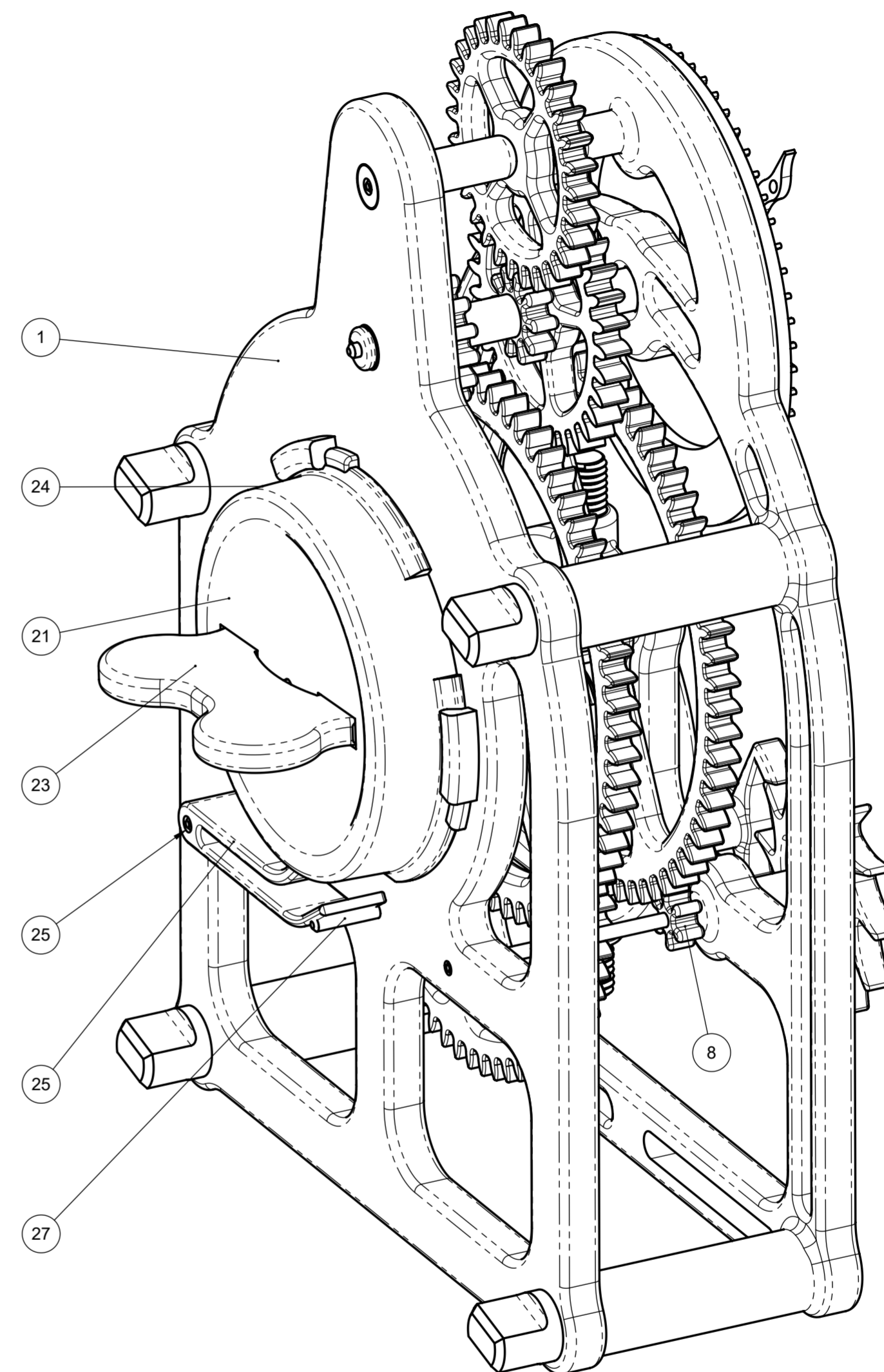
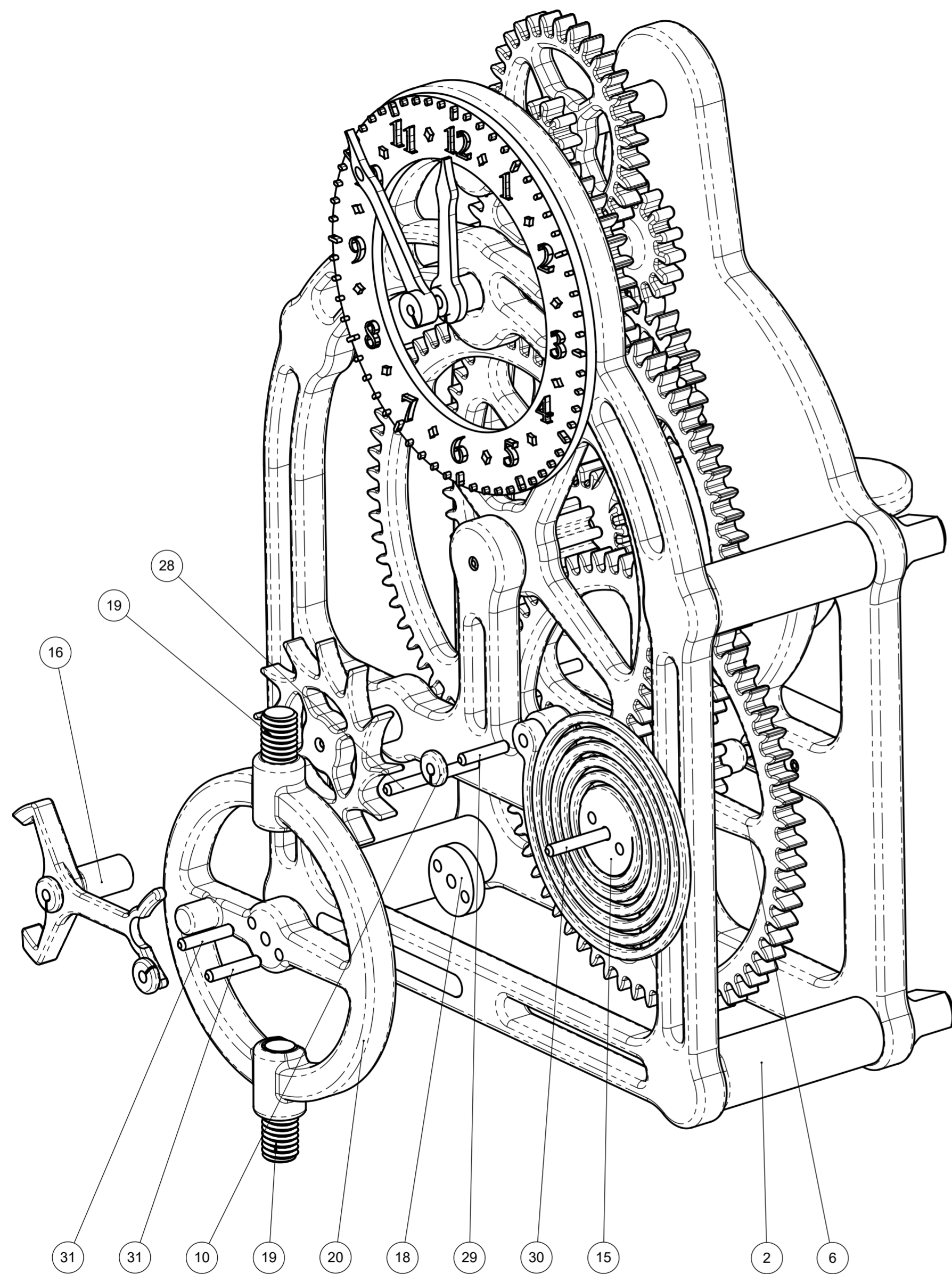


SECTION K-K  
SCALE 1.5 : 1



|   |    |   |   |
|---|----|---|---|
| Sht 1 of 3 Shts                         | A2 | Clock 42 - Swiss Lever and Balance Wheel Escapement       |   |
| Not to Scale<br>Unless otherwise stated |    | All dimensions in mm and (inches)<br>3rd Angle projection | Designed by: Brian Iaw<br>October 2020 www.woodenclocks.co.uk |



|   |    |   |   |
|---|----|---|---|
| Sht 2 of 3 Shts                         | A2 | Clock 42 - Swiss Lever and Balance Wheel Escapement       |   |
| Not to Scale<br>Unless otherwise stated |    | All dimensions in mm and (inches)<br>3rd Angle projection | Designed by: Brian Iaw<br>www.woodenclocks.co.uk October 2020 |

| ITEM NO. | PART NUMBER                       | DESCRIPTION                     | QTY. |
|----------|-----------------------------------|---------------------------------|------|
| 1        | Clock-42-Frame-Back               | ABS                             | 1    |
| 2        | Clock-42-Frame-Front              | ABS                             | 1    |
| 3        | Clock-42-Gear-3-64T-              | ABS                             | 1    |
| 4        | Clock-42-Gear-1-64T-              | ABS                             | 1    |
| 5        | Clock-42-Shaft-60mm               | Silver steel-Ø2x60mm            | 3    |
| 6        | Clock-42-Gear-2-64T-              | ABS                             | 1    |
| 7        | Clock-42-Shaft-45mm               | Silver steel-Ø2x45mm            | 2    |
| 8        | Clock-42-Gear-6-teeth             | ABS                             | 1    |
| 9        | Clock 42-Hour Gears-20 Teeth      | ABS                             | 1    |
| 10       | Clock 42-Endstop                  | ABS                             | 5    |
| 11       | Clock 42-Hour Gears-32 Teeth      | ABS                             | 1    |
| 12       | Clock-42-Gear-10-teeth            | ABS                             | 1    |
| 13       | Clock-42-Gear-16-teeth            | ABS                             | 1    |
| 14       | Clock 42-Hour Gears-30-8 Teeth    | ABS                             | 1    |
| 15       | Clock-42-Spiral spring            | ABS                             | 1    |
| 16       | Clock-42-lever                    | ABS                             | 1    |
| 17       | Clock-42-escape wheel 12 t        | ABS                             | 1    |
| 18       | Clock 42 Spring Spacer            | ABS                             | 1    |
| 19       | Clock 42 Threaded weight          | M6-Steel Bolt-20mm long-no head | 2    |
| 20       | Clock-42-Balance Wheel-adjustable | ABS                             | 1    |
| 21       | Clock-42-Spring Case              | ABS                             | 1    |
| 22       | Clock-42-Drive                    | ABS                             | 1    |
| 23       | Clock-42-Winder                   | ABS                             | 1    |
| 24       | Clock 42 Retaining Ring           | ABS                             | 1    |
| 25       | Clock-42-Winder Pawl              | ABS                             | 1    |
| 26       | Clock 42 Plastic Screw-2          | ABS                             | 4    |
| 27       | Clock-42-Shaft 16mm               | Silver steel-Ø2x16mm            | 3    |
| 28       | Clock-42-Shaft-25mm               | Silver steel-Ø2x25mm            | 1    |
| 29       | Clock-42-Shaft-10mm               | Silver steel-Ø2x10mm            | 1    |
| 30       | Clock-42-Shaft-21mm               | Silver steel-Ø2x21mm            | 1    |
| 31       | Clock-42-Shaft-11mm               | Silver steel-Ø2x11mm            | 2    |
| 32       | Clock-42-Main Spring              | Trifix 6 x 0.40 x 1000mm        | 1    |
| 33       | Clock 42 Dial                     | ABS                             | 1    |
| 34       | Clock 42 Button-Spacer 8          | ABS                             | 3    |
| 35       | Clock-42-Minute-Hand              | ABS                             | 1    |
| 36       | Clock-42 Hour Hand                | ABS                             | 1    |
| 37       | Clock 42 Button-Spacer 22         | ABS                             | 1    |

|   |    |   |   |
|---|----|---|---|
| Sht 3 of 3 Shts                         | A2 | Clock 42 - Swiss Lever and Balance Wheel Escapement       |   |
| Not to Scale<br>Unless otherwise stated |    | All dimensions in mm and (inches)<br>3rd Angle projection | Designed by: Brian Iaw<br>www.woodenclocks.co.uk October 2020 |