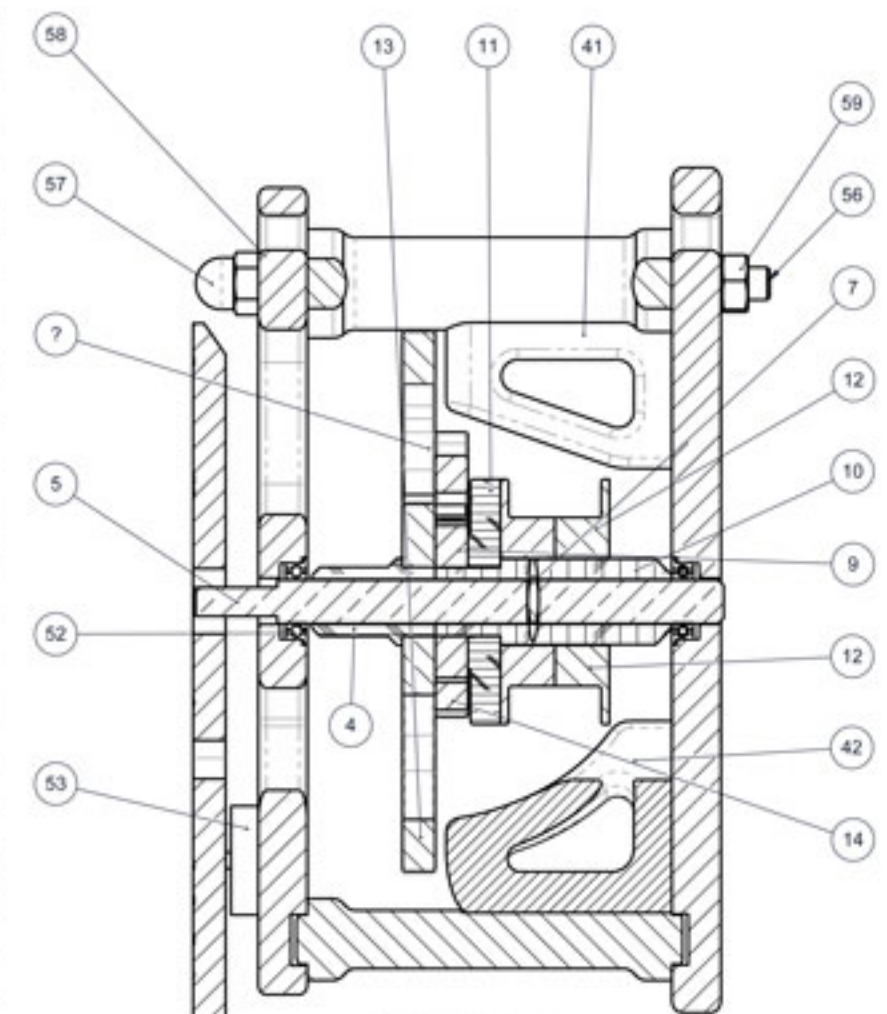


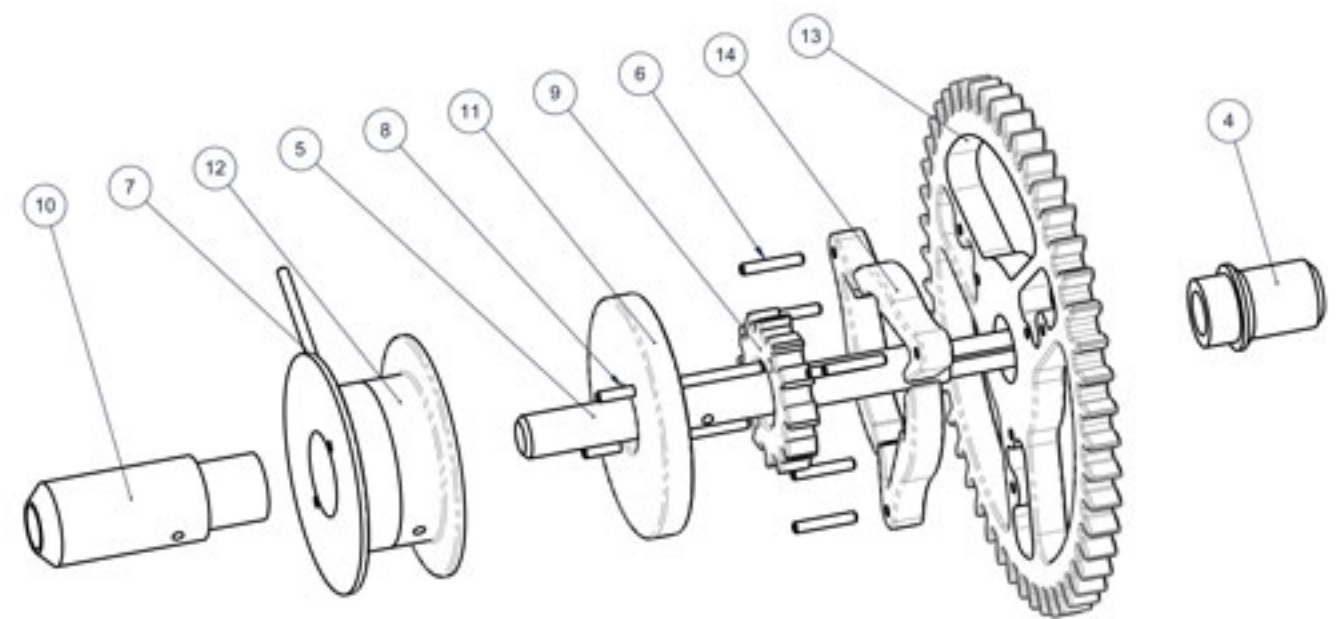
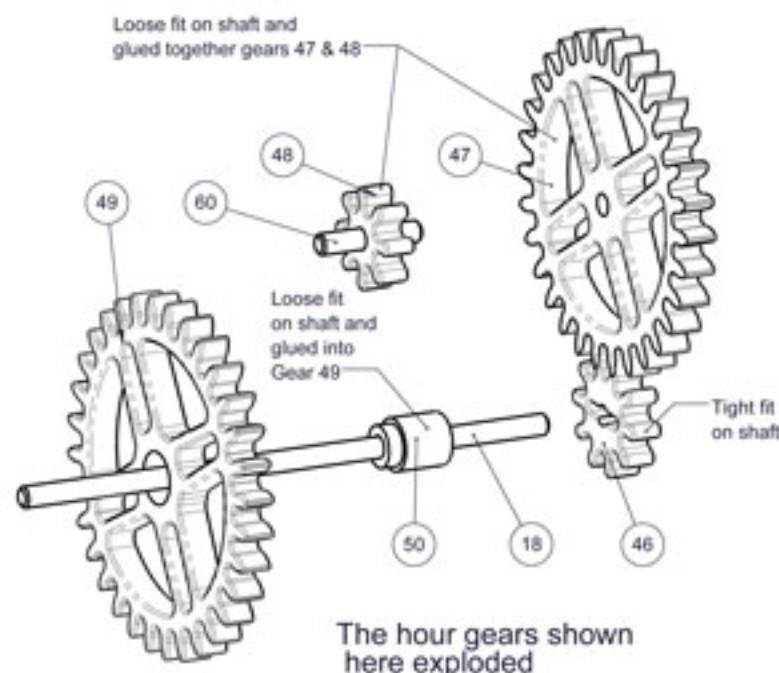
Sht 1 of 10 Shts	A2	Clock 43 - Compact 24 hour clock	Designed by: Brian law www.woodenclocks.co.uk February 2021
Not to Scale Unless otherwise stated		All dimensions in mm and (inches) 3rd Angle projection	

ITEM NO.	PART NUMBER	DESCRIPTION	QTY.
2	Clock 43-Back-Frame	Wood 9mm thk	1
3	Clock 43-Front-Frame	Wood 9mm thk	1
4	Clock 43-Winder-Spacer	Wood Ø16 mm	1
5	Clock 43-Drive-Shaft	Brass Ø8 mm x 99mm	1
6	Clock 43-Pawl-Pin	Steel Ø2 mm x 12mm	6
7	Clock 43-Pin-Drum	Steel Ø2 mm x 29mm	1
8	Clock 43-Drive-Pin	Steel Ø2 mm x 32mm	2
9	Clock 43-Ratchet	Wood 6mm thk	1
10	Clock 43-shaft-spacer-Back	Wood Ø16 x 44 mm	1
11	Clock 43-shaft-spacer-Front	Wood 6 mm thk	1
12	Clock 43-Drum	Wood 20mm thk OR 2x10mm thk	1
13	Clock 43-Gears-48-Teeth	Wood 8mm thk	1
14	Clock 43-Winder-Shaft-Pawl	Wood 6mm thk	3
15	Clock 43-Weight Cord	Blind Cord Ø0.5 mm	1
16	Clock 43-Weight-Top	Brass Ø38 x 27mm	1
17	Clock 43-Weight-Bottom	Brass Ø38 x 110 mm	1
18	Clock 43-Shaft110	Steel Ø4 mm x 110mm	1
19	Clock 43-Gear-Spacer-8	Wood Ø12 x 2 mm	1
20	Clock 43-Gear-Spacer-2	Plastic Ø8 x 2 mm	3
21	Clock 43-Gear-62-Teeth	Wood 6 mm thk	1
22	Clock 43-Gear-24-Teeth	Wood 6 mm thk	1
23	Clock 43-Gear-Spacer-22	Wood Ø12 x 22 mm	2
24	Clock 43-Gears-11-Teeth	Wood 6 mm thk	1
25	Clock 43-Shaft-77	Steel Ø4 mm x 77 mm	2
26	Clock 43-Gear-64-Teeth	Wood 6 mm thk	1
27	Clock 43-Gears-12-Teeth	Wood 6 mm thk	1
28	Clock 43-Pendulum Pivot Block	Wood 12 mm thk	1
29	Clock 43-Pendulum Rod	Carbon Fibre Ø6 mm x 1100 mm	1
30	Clock 43-Pendulum Lock	Wood 6 mm thk	1
31	Clock 43-Pendulum Bob	Wood and Brass (see drawing)	1
32	Clock 43-Pendulum-Connect-Pin	Steel Ø3 mm x 31mm .	2
33	Clock 43-Pivot Pin	Steel Ø4 x 31mm	1
34	Clock 43-Pallet-clamp	Wood 6mm thk	2
35	M3 HEX NUT		2
36	90116A169	Pan Headed Screw 3 x 20 mm	2

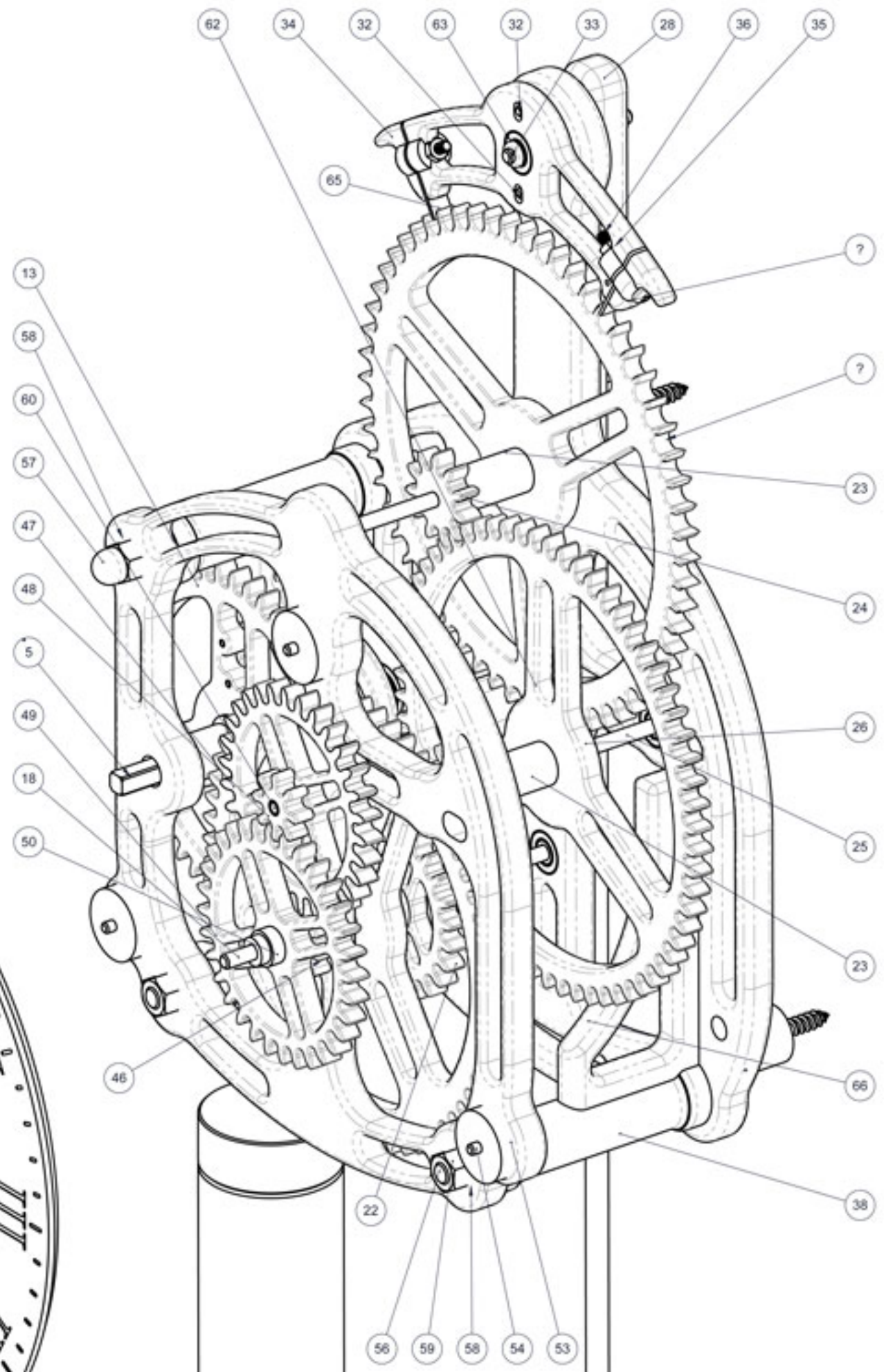
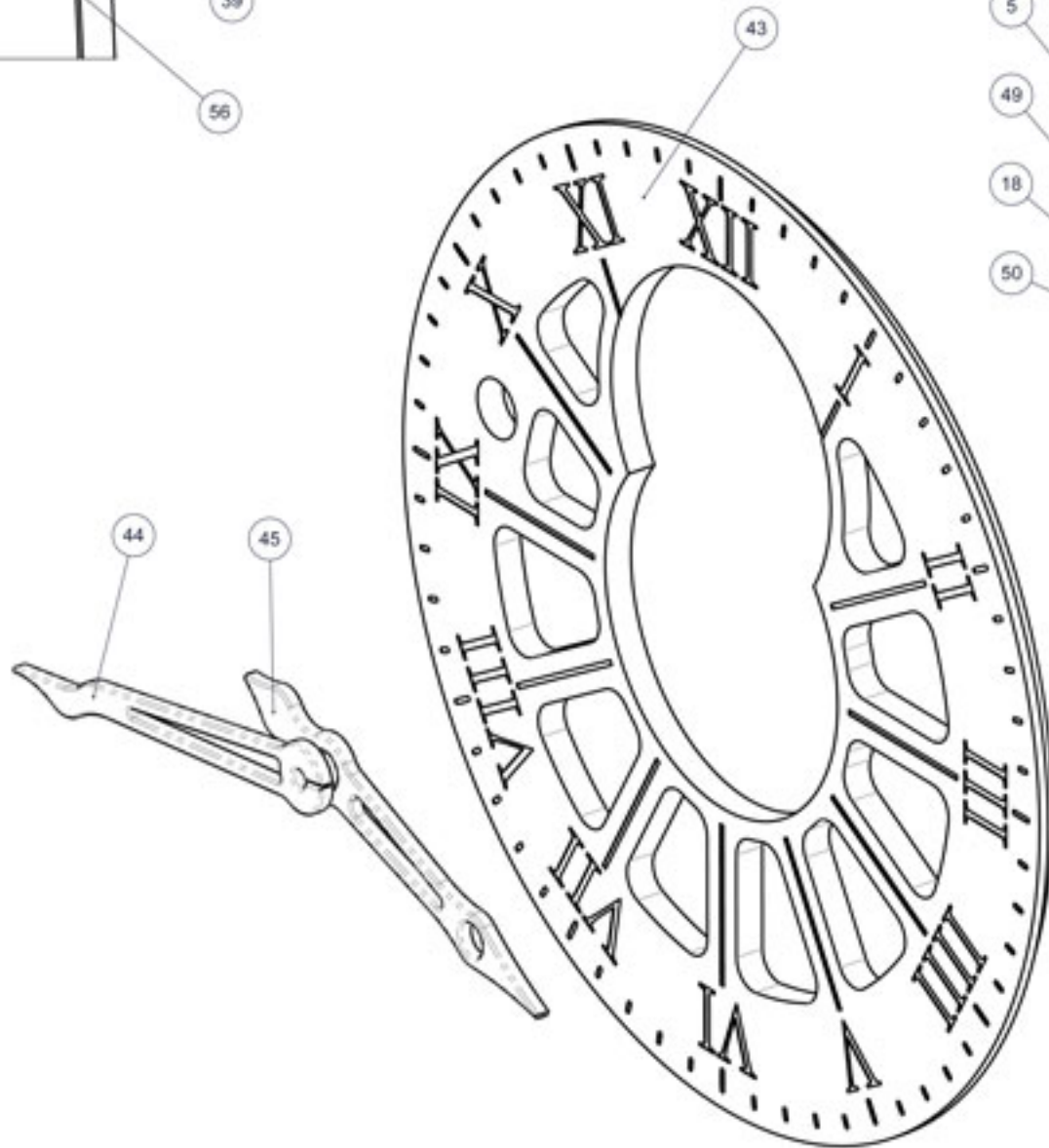
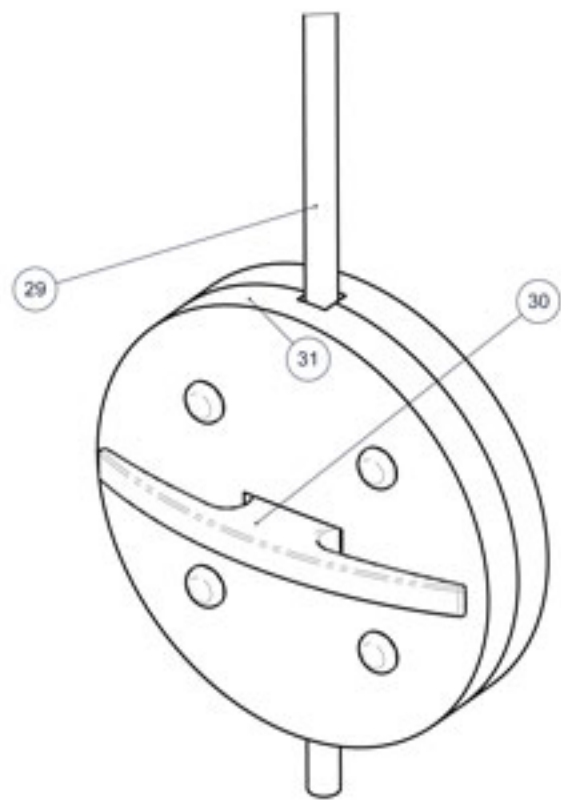
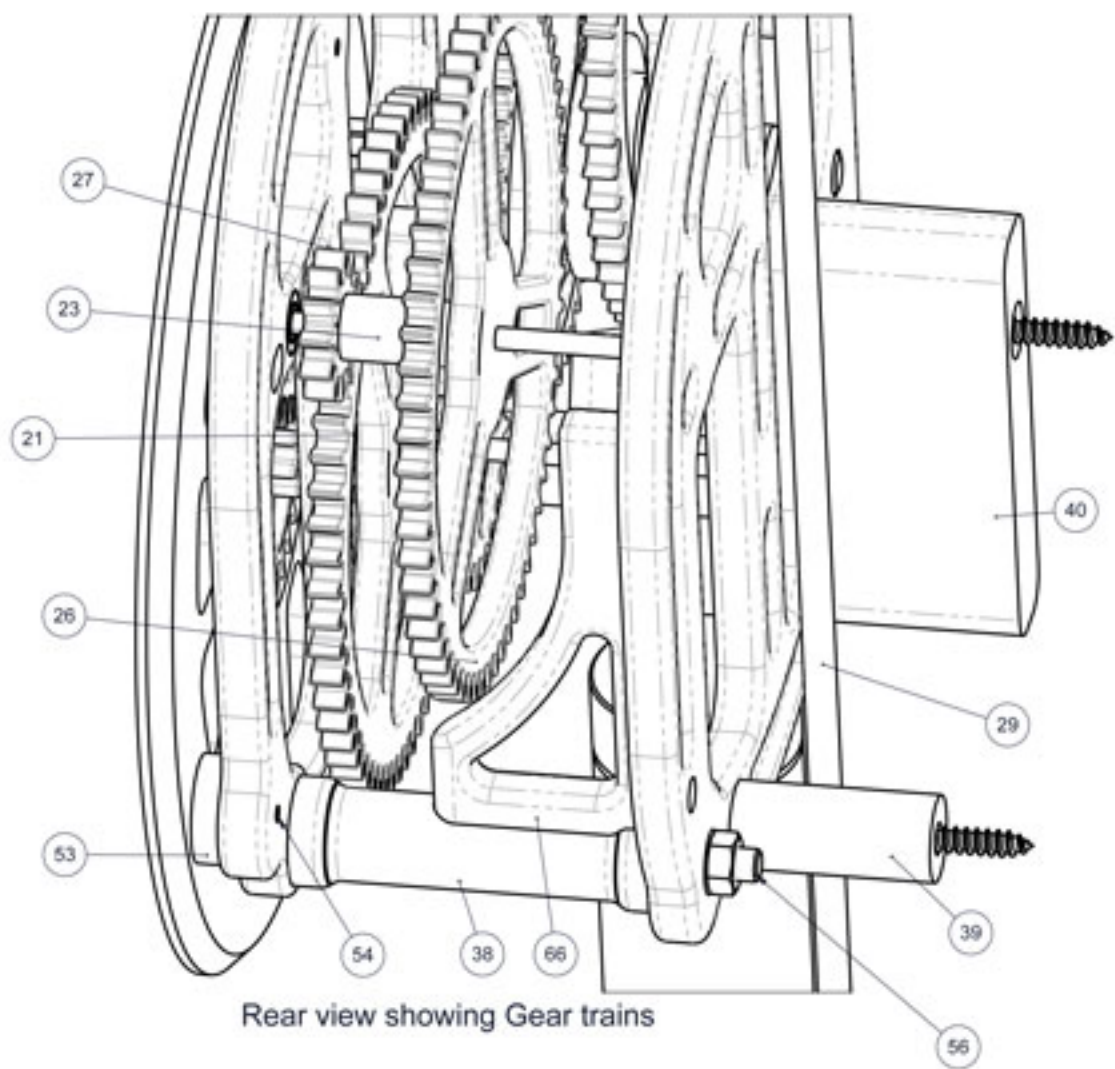
ITEM NO.	PART NUMBER	DESCRIPTION	QTY.
37	M3-WASHER		2
38	Clock 43-Frame Spacer	Wood 18mm thk	3
39	Clock 43-Wall Spacer	Wood Ø16 x 32 mm	2
40	Clock 43-Wall Spacer-2	Wood 18mm x32mmx85mm	1
41	Clock 43-Top Brace	Wood 9 mm thk	1
42	Clock 43-Bottom Brace	Wood 9 mm thk	1
43	Clock 43-Dial-Roman	Wood 6 mm thk	1
44	Clock 43-Minute-Hand	Plastic 3 thk	1
45	Clock 43-Hour-hand		1
46	Clock 43-Hour-Gears-10-Teeth	Wood 6mm thk	1
47	Clock 43-Hour-Gears-30-Teeth	Wood 6mm thk	1
48	Clock 43-Hour-Gears-8-Teeth	Wood 6mm thk	1
49	Clock 43-Hour-Gears-32-Teeth	Wood 6mm thk	1
50	Clock 43-Hour-Tube	Wood Ø10 x 18 mm	1
60	BALL BEARING-4-10-4	MF104ZZ 4X10X4mm	8
52	BALL BEARING-8-14-4	MF148ZZ 8X14X4mm	2
53	Clock 43-Dial Spacer	Wood Ø20 x 7 mm	3
54	Clock 43-Dial Spacer-Pin	Steel Ø3 x 19 mm	3
55	Wood Screw No 10 x 60 mm		3
56	M6 Threaded rod	Steel M6 x 101 mm	3
57	Domed nut-m6	M6 Domed Nut	1
58	M6Washer		6
59	M6-Nut	M6 nut	5
60	Clock 43-Hour-Gear_pivot	Steel Ø4 mm x 21 mm	1
61	Clock 43-DDrive train pin	Steel Ø2 mm x 20 mm	1
62	Clock 43-Escape wheel		1
63	Clock 43-Endstop-4mm	Plastic Ø8 x 2 mm	2
64	Clock 43-Escapement arm	Wood 6mm thk	1
65	Clock 43-Pallet	Plastic 1mm thk	2
66	Clock 43-Bottom Brace-RH	Wood 6 mm thkB3	1



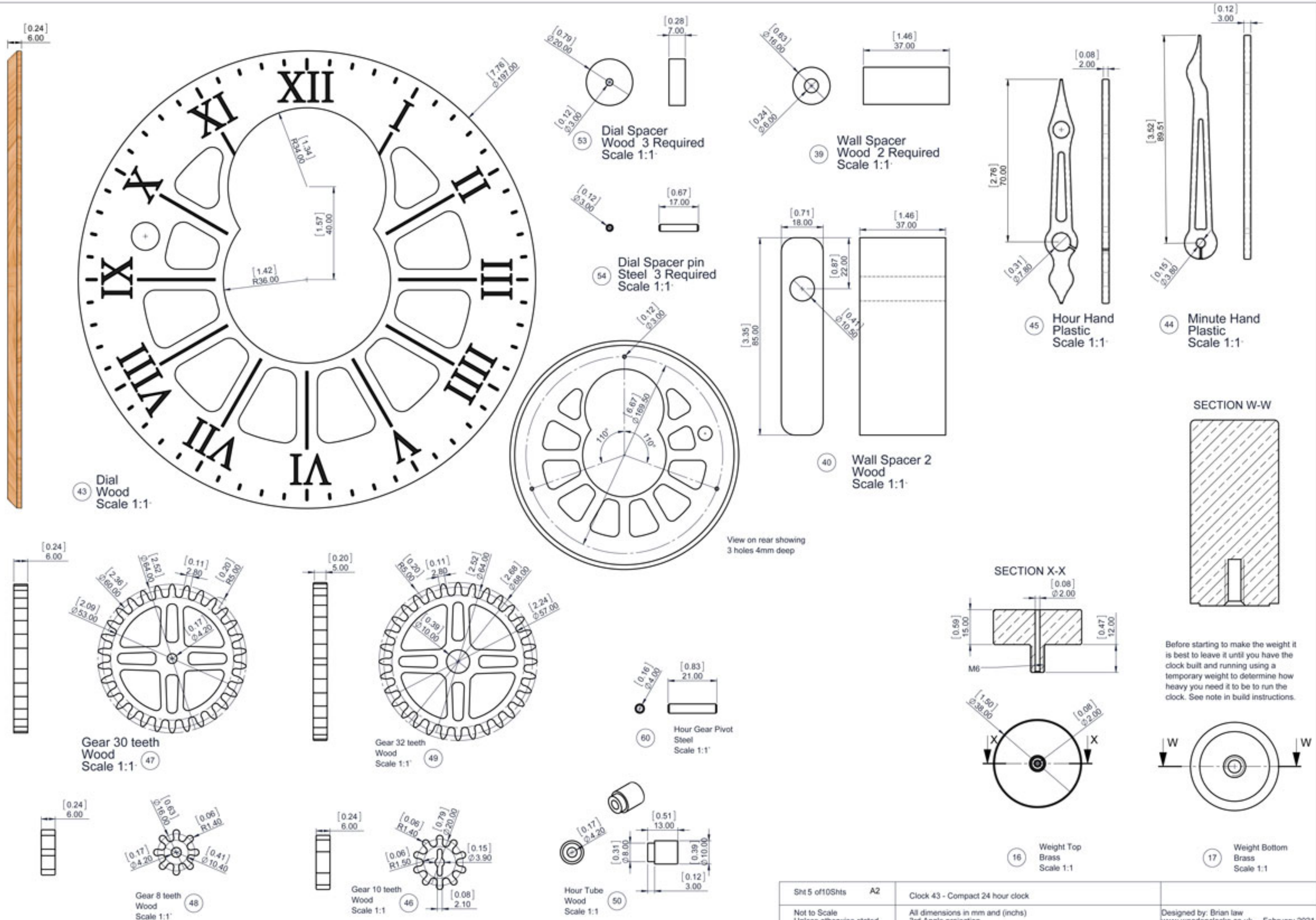
SECTION M-M
Section through the Drive Assembly
Weight and Weight Cord removed.



Drive Assembly Exploded



Sht 3 of 10Shts	A2	Clock 43 Compact 24 hour clock	
Not to Scale Unless otherwise stated	All dimensions in mm and (inches) 3rd Angle projection		Designed by: Brian law www.woodenclocks.co.uk February 2021



43 Dial Wood Scale 1:1

53 Dial Spacer Wood 3 Required Scale 1:1

54 Dial Spacer pin Steel 3 Required Scale 1:1

39 Wall Spacer Wood 2 Required Scale 1:1

45 Hour Hand Plastic Scale 1:1

44 Minute Hand Plastic Scale 1:1

40 Wall Spacer 2 Wood Scale 1:1

View on rear showing 3 holes 4mm deep

47 Gear 30 teeth Wood Scale 1:1

49 Gear 32 teeth Wood Scale 1:1

60 Hour Gear Pivot Steel Scale 1:1

SECTION X-X

SECTION W-W

Before starting to make the weight it is best to leave it until you have the clock built and running using a temporary weight to determine how heavy you need it to be to run the clock. See note in build instructions.

16 Weight Top Brass Scale 1:1

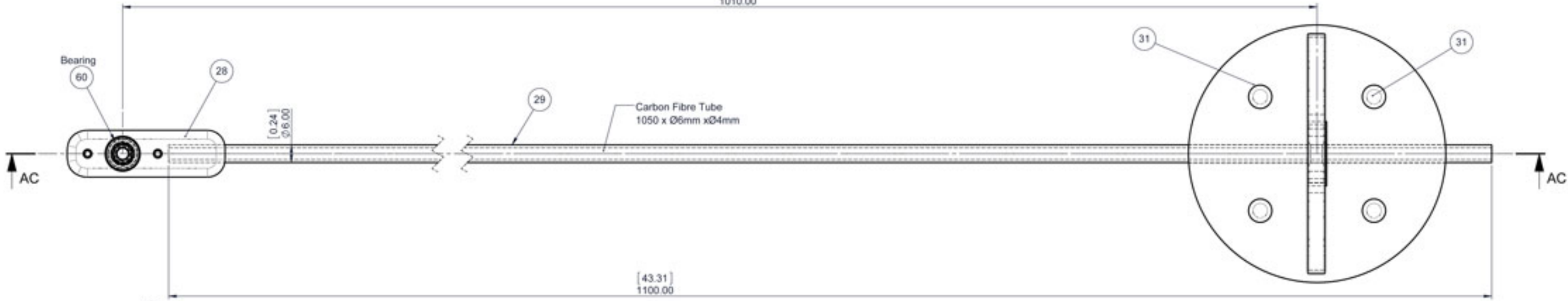
17 Weight Bottom Brass Scale 1:1

48 Gear 8 teeth Wood Scale 1:1

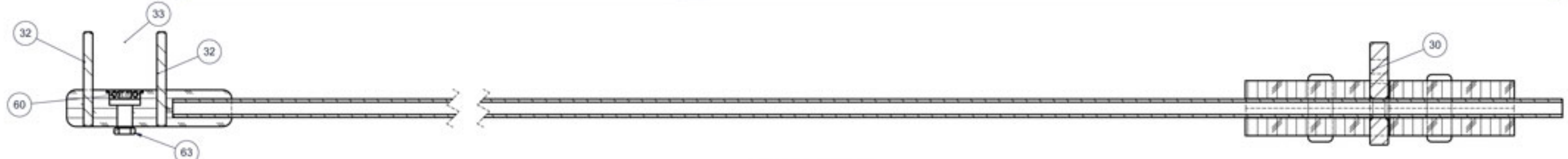
46 Gear 10 teeth Wood Scale 1:1

50 Hour Tube Wood Scale 1:1

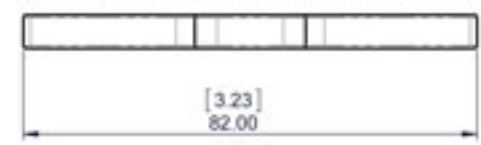
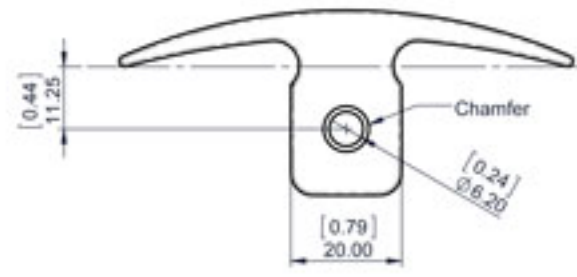
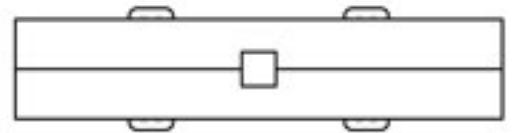
[39.76]
1010.00



[43.31]
1100.00



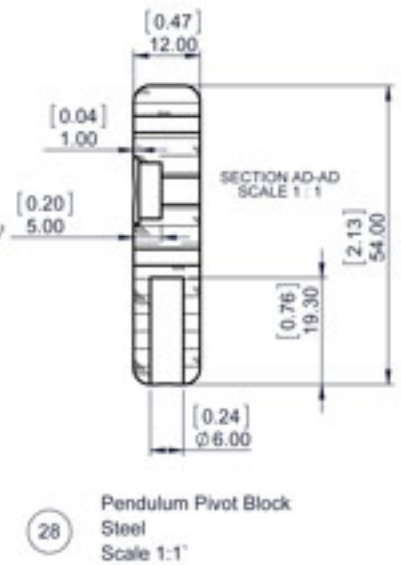
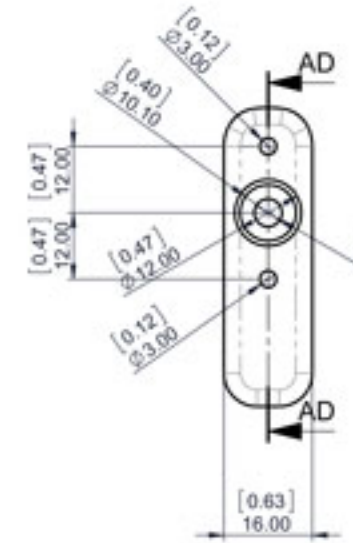
SECTION AC-AC
SCALE 1 : 1



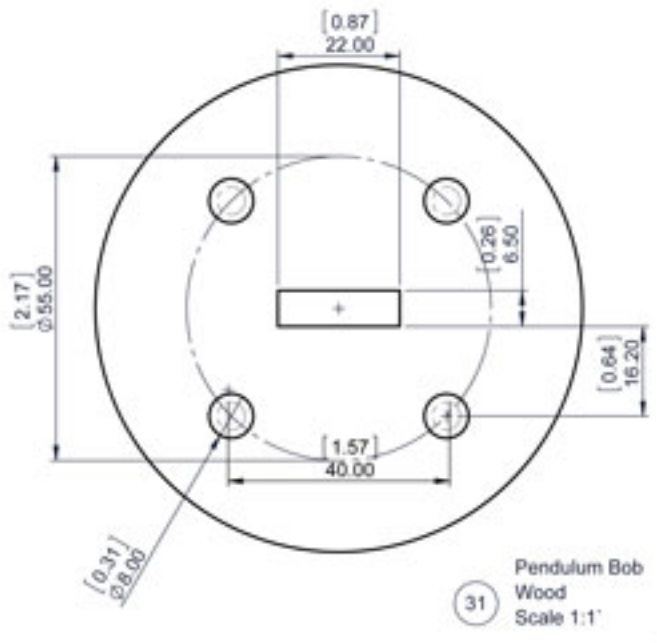
30 Pendulum Lock
Wood
Scale 1:1

32 Pendulum Connect Pin
Steel 2 Required
Scale 1:1

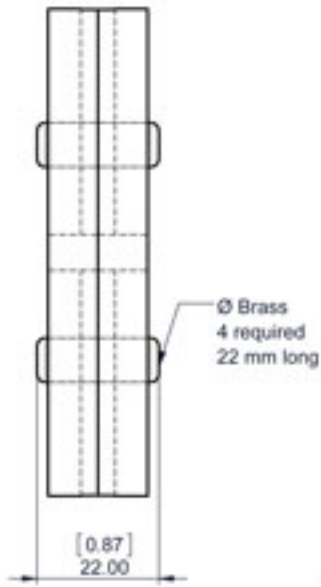
33 Pivot Pin
Steel
Scale 1:1



28 Pendulum Pivot Block
Steel
Scale 1:1



31 Pendulum Bob
Wood
Scale 1:1



Ø Brass
4 required
22 mm long

NB! This can be made from
2 layers 9 mm thick if required