

SECTION A-A
SCALE 1 : 1.5

Sht 1 of 10 Shts A2

Clock 49 - 24 hour Clock

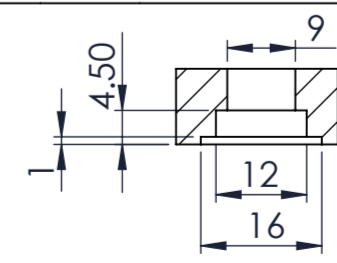
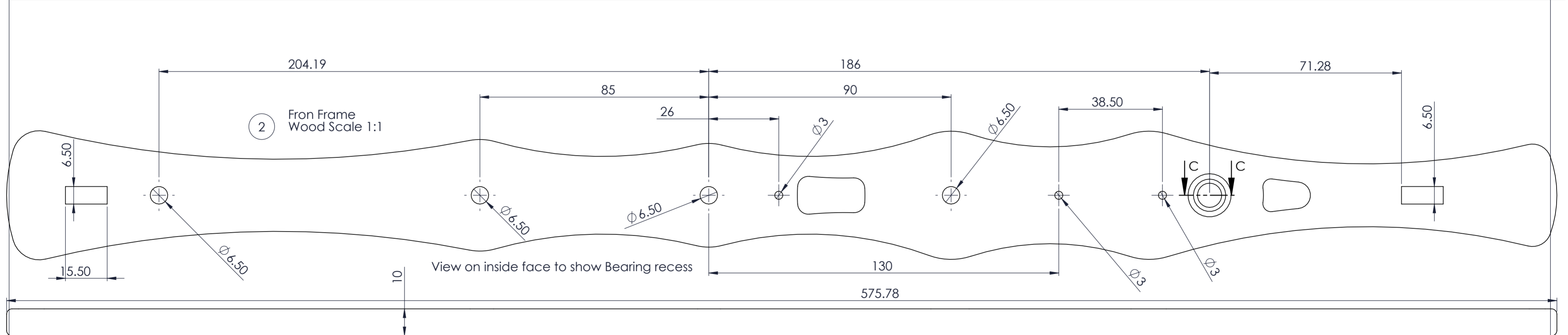
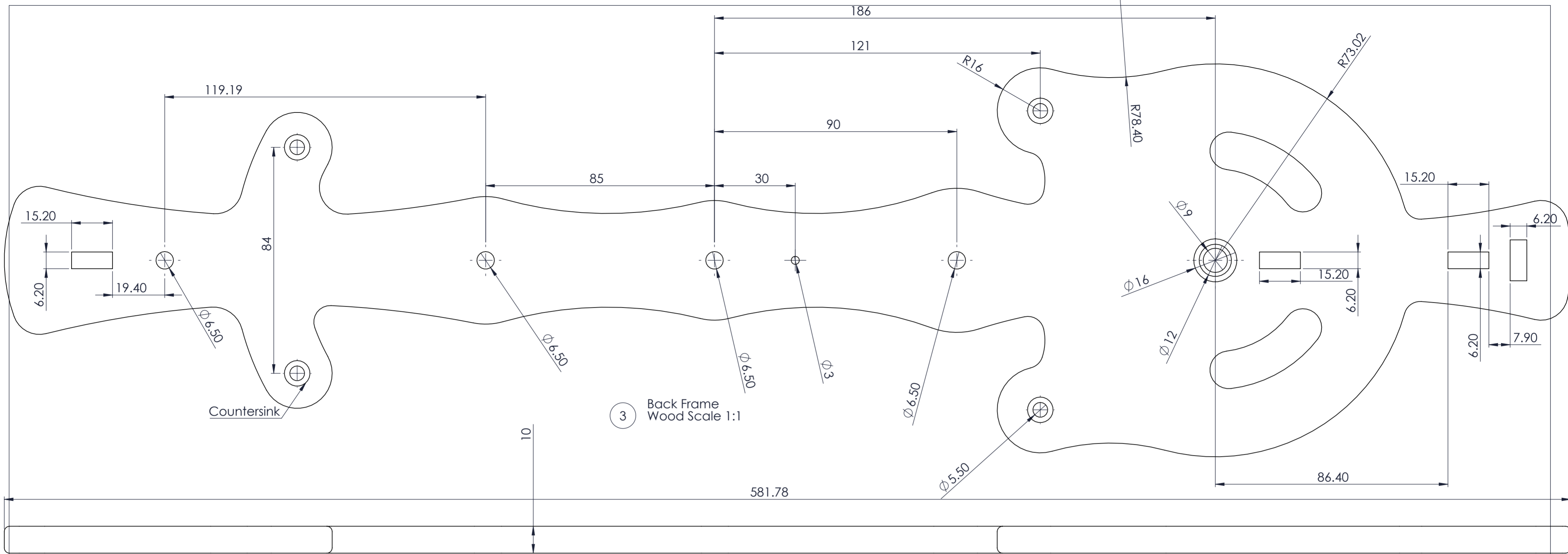
Not to Scale Unless otherwise stated

All dimensions in mm and (inches) 3rd Angle projection

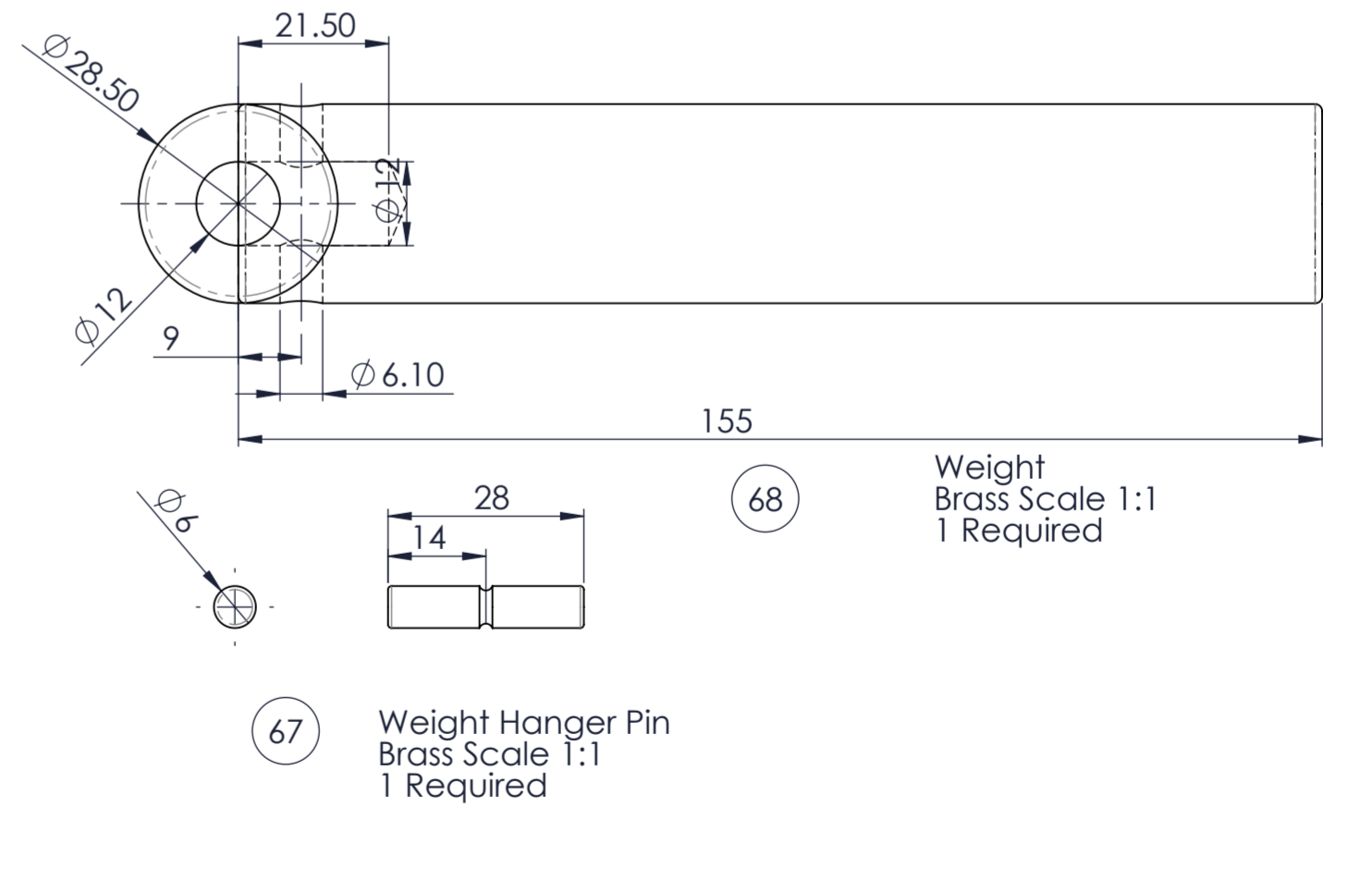
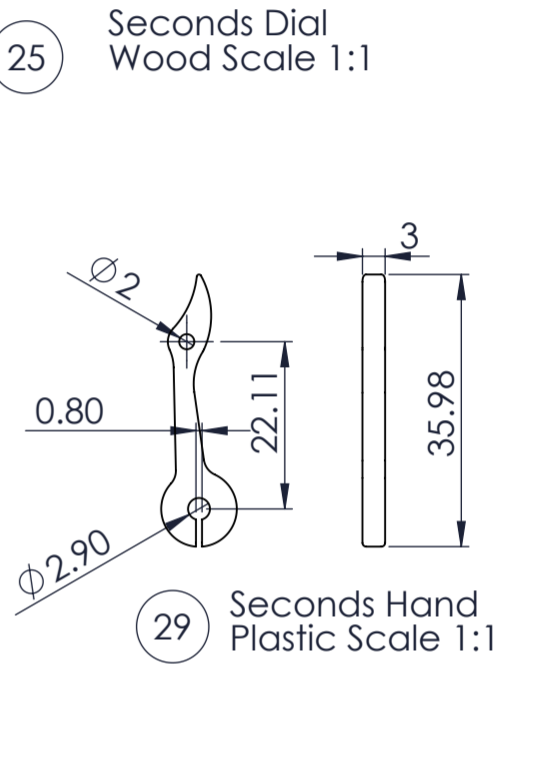
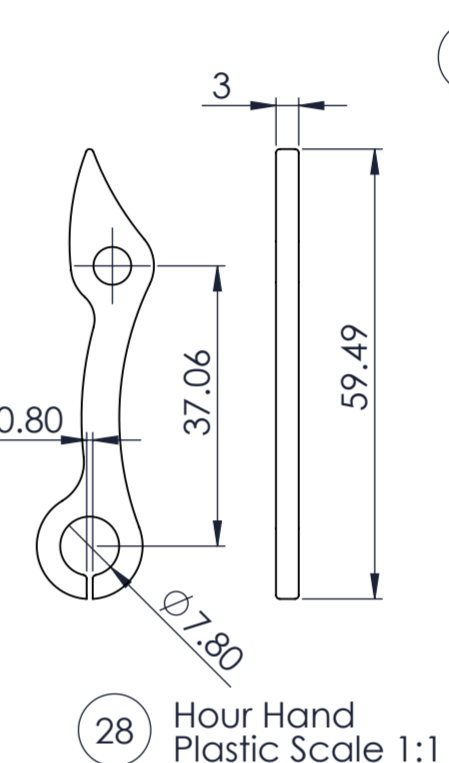
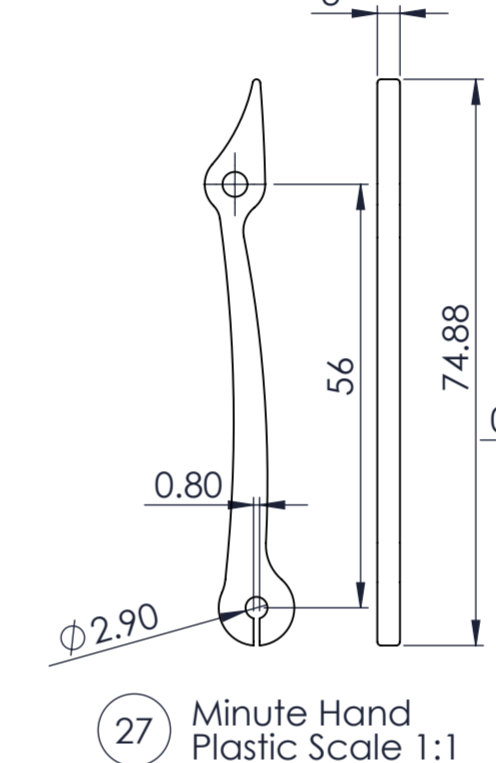
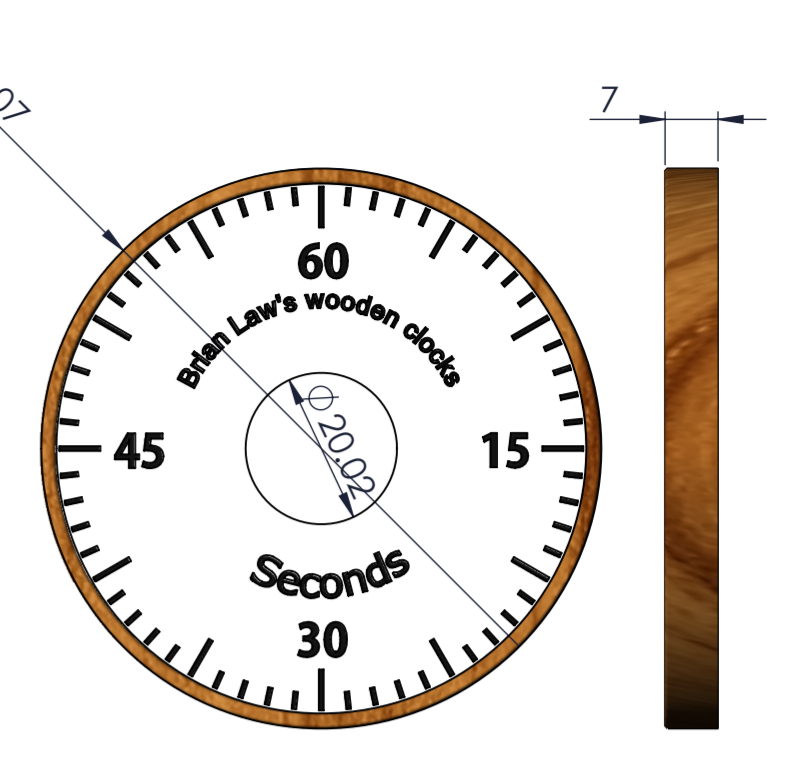
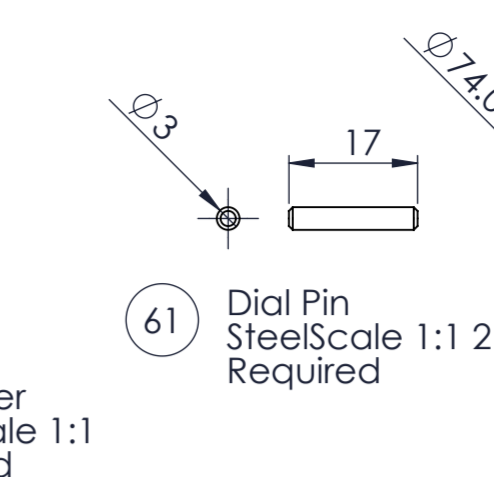
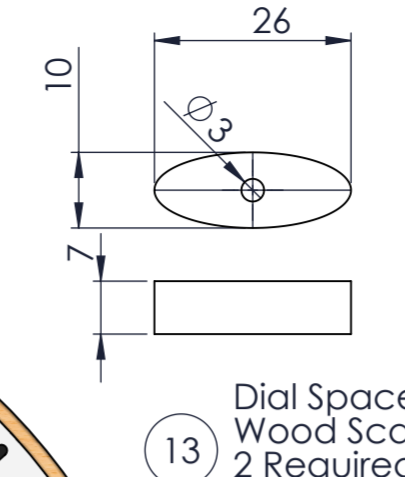
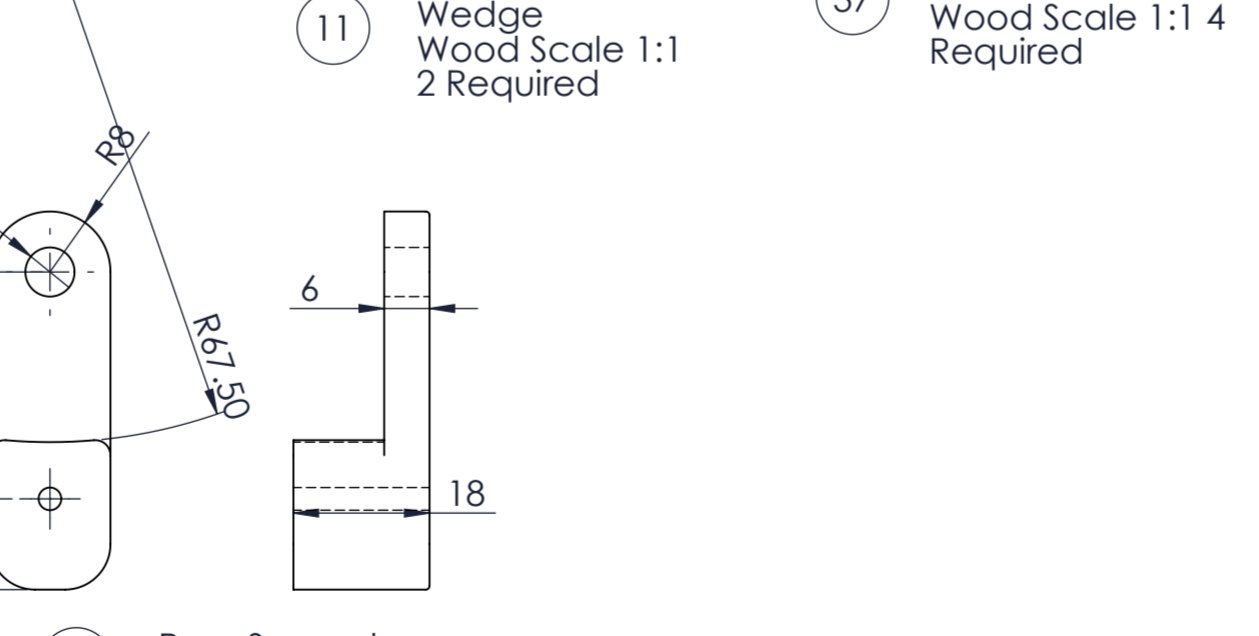
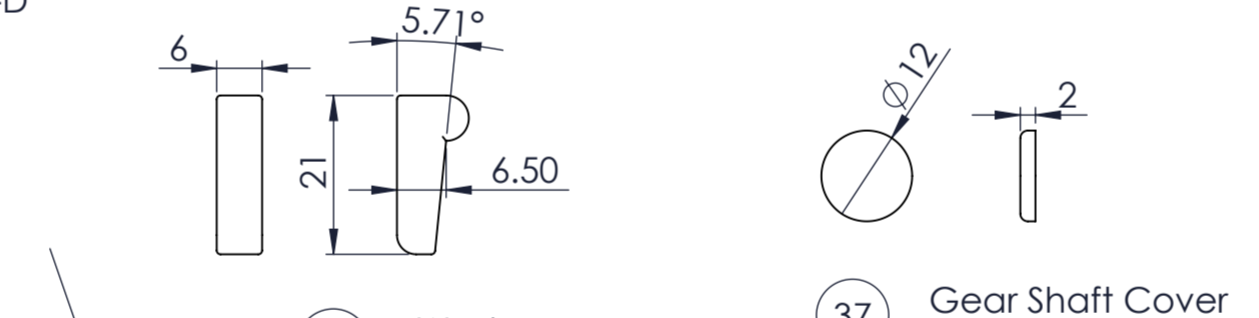
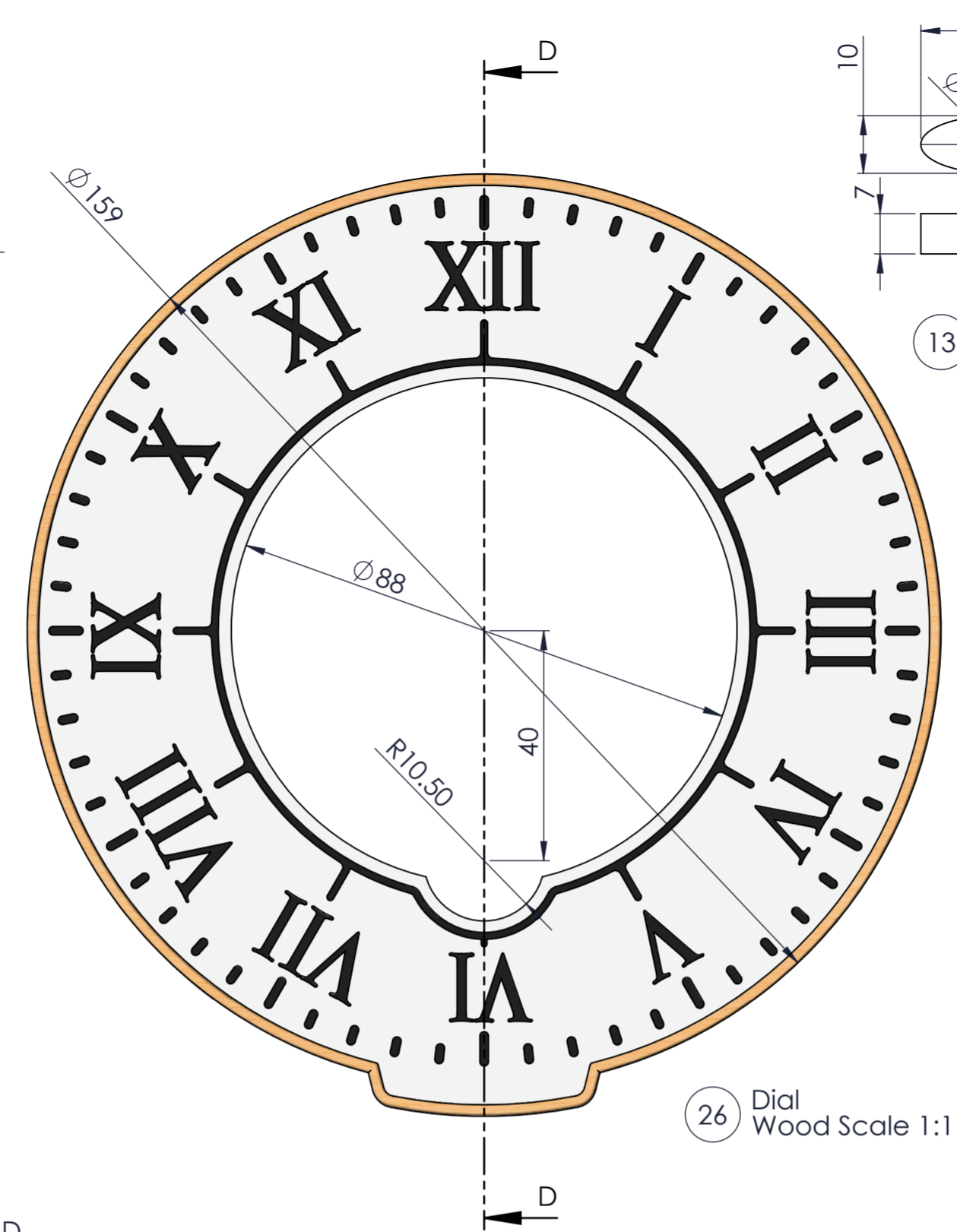
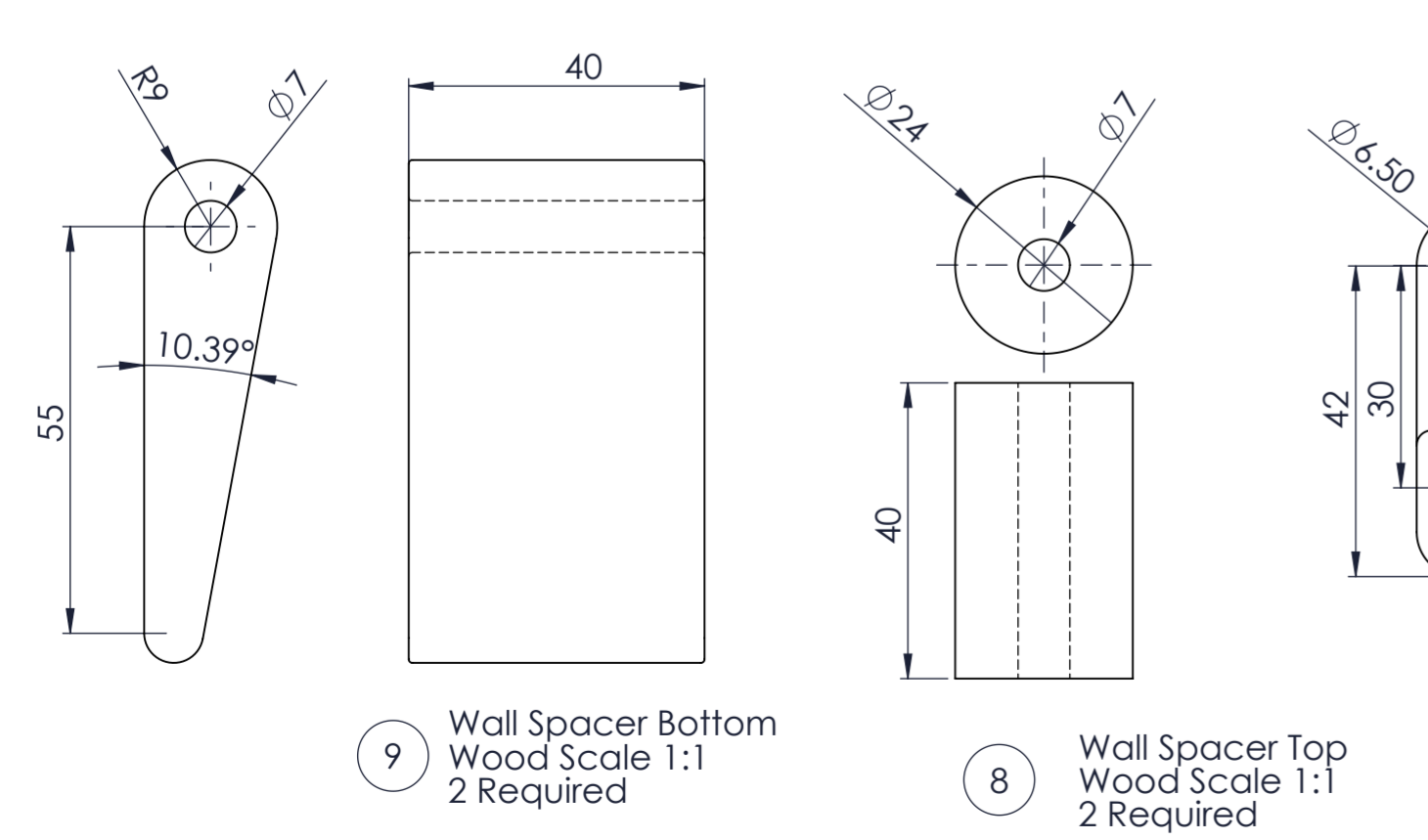
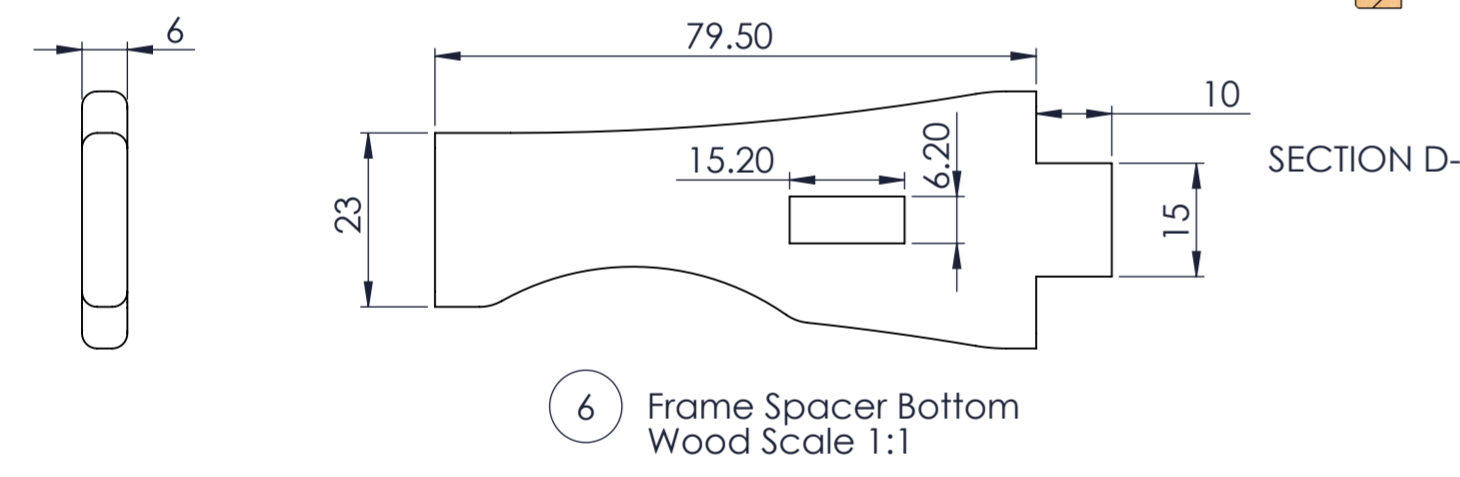
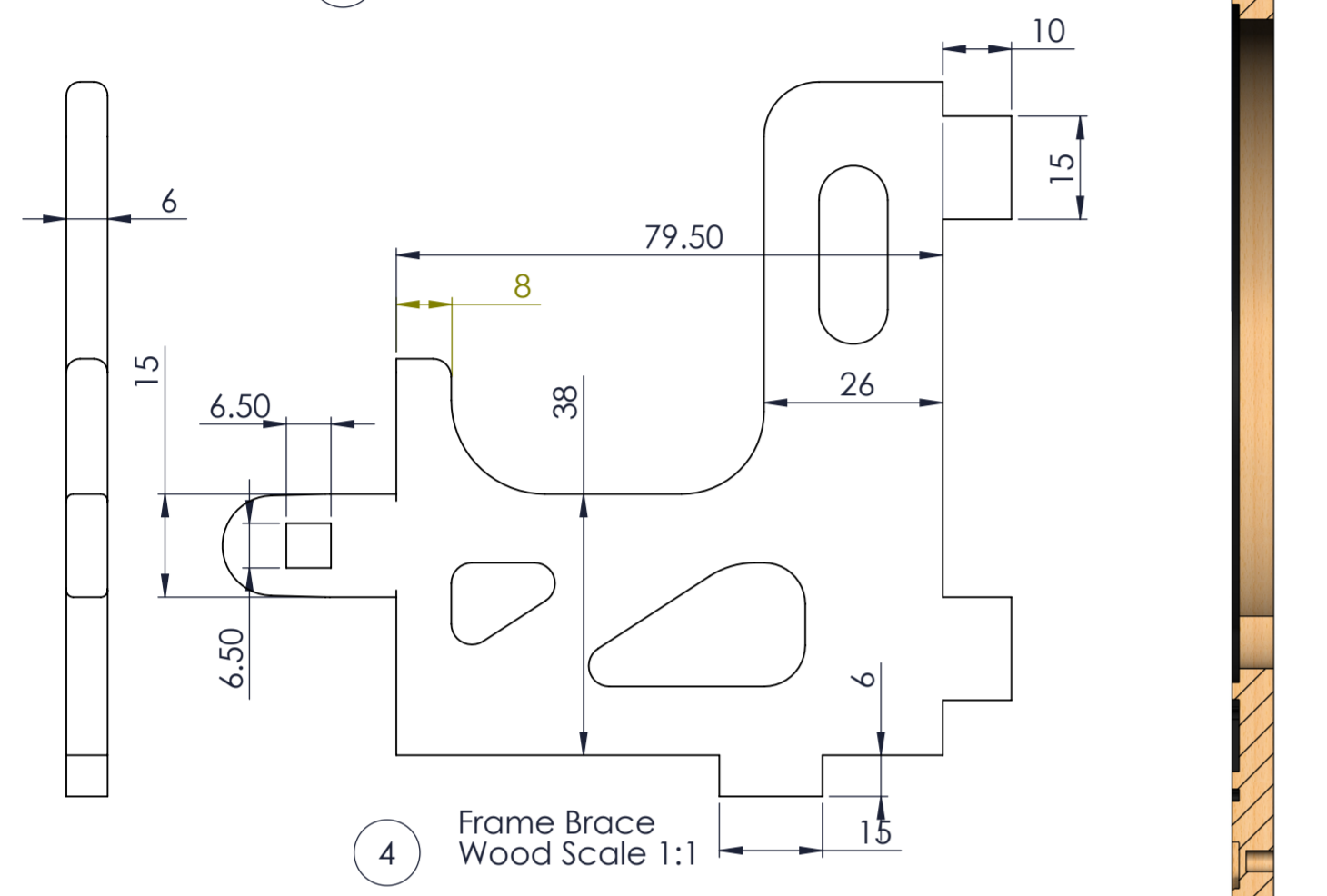
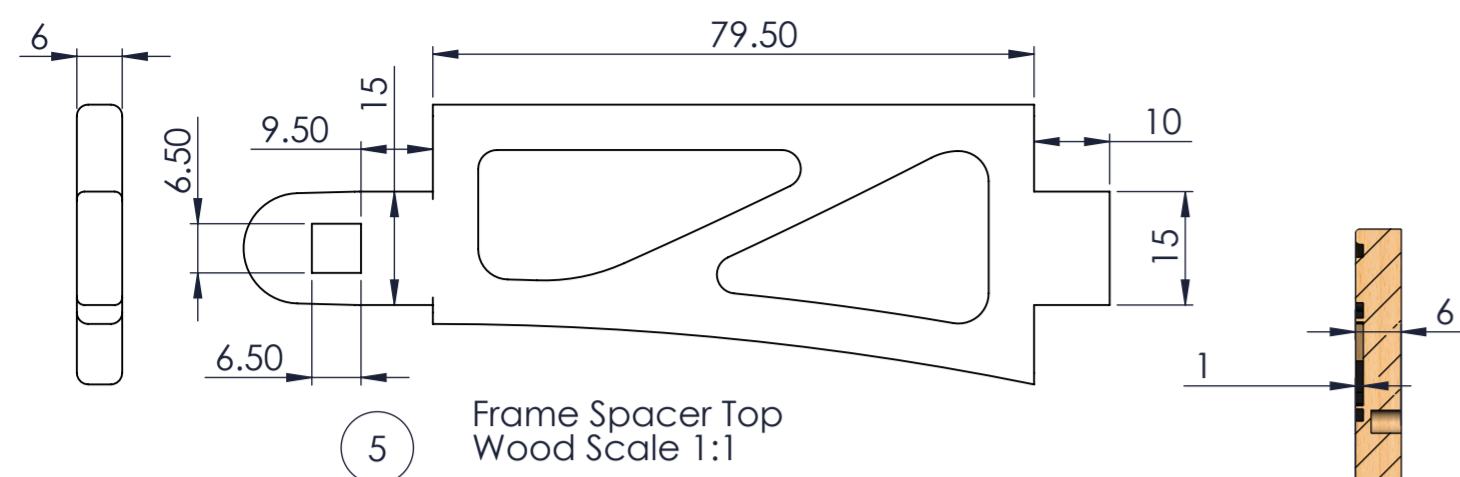
Designed by: Brian law
October 2022 www.woodenclocks.co.uk

ITEM NO.	PART NUMBER	DESCRIPTION	QTY.
2	Clock-49-Front-Frame	Wood 10mm thk	1
3	Clock-49-Back-Frame	Wood 10mm thk	1
4	Clock-49-Frame-Brace	Wood 6mm thk	1
5	Clock-49-Frame-Spacer-Top	Wood 6mm thk	1
6	Clock-49-Frame-Spacer-Bottom	Wood 6mm thk	1
7	Clock-49-Rear-Support	Wood Block Laminate	1
8	Clock-49-Wall-Spacer-Top	Wood Block Laminate	2
9	Clock-49-Wall-Spacer-Bottom	Wood Block Laminate	2
10	Clock-49-Escape-wheel-45T	Wood 6mm thk	1
11	Clock-49-Wedge	Wood 6mm thk	2
12	Clock-49-Escapement Arm	Wood 6mm thk	1
13	Clock-49-Dial Spacer	Wood 7 mm thk	2
14	Clock-49-Pendulum Pivot Spacer	Wood Ø12 mm	2
15	Clock-49-Gears-10-Teeth	Wood 6mm thk	2
16	Clock-49-Gears-32-Teeth	Wood 6mm thk	1
17	Clock-49-Gear-Drive-64-Teeth	Wood 6mm thk	1
18	Clock-49-Hour-Gears-10-Teeth	Wood 6mm thk	1
19	Clock-49-Hour-Gears-30-Teeth	Wood 6mm thk	1
20	Clock-49-Hour-Gears-8-Teeth	Wood 6mm thk	1
21	Clock-49-Hour-Gears-32-Teeth	Wood 6mm thk	1
22	Clock-49-Hour-Tube	Wood Ø12 mm	1
23	Clock-49-Gear-75-Teeth	Wood 6mm thk	1
24	Clock-49-Gear-80-Teeth	Wood 6mm thk	1
25	Clock-49-Seconds Dial-2	Wood 6mm thk	1
26	Clock-49-Dial-Roman-numerals	Wood 6mm thk	1
27	Clock-49-Minute-Hand	3 mm Plastic	1
28	Clock-49-Hour-Hand	3mm Plastic	1
29	Seconds-Hand	3mm Plastic	1
30	Clock-49-Gear-Spacer-1	Wood Ø12 mm	1
31	Clock-49-Gear-Spacer-1a	Wood Ø12 mm	1
32	Clock-49-Gear-Spacer-Minute	Wood Ø12 mm	1
33	Clock-49-Gear-Spacer-Minute-1a	Wood Ø12 mm	1
34	Clock-49-Gear-Spacer-2	Wood Ø12 mm	1
35	Clock-49-Gear-Spacer-2a	Wood Ø12 mm	1
36	Clock-49-Shaft-Retainer -2	Plastic 3 mm thk	1
37	Clock-49-Gear-Shaft-cover	Wood 2 mm thk	4

ITEM NO.	PART NUMBER	DESCRIPTION	QTY.
38	Drum	Wood 18mm thk	1
39	Drive-Spacer-Back	Wood Ø16 mm	1
40	Drive-spacer-Front	Wood Ø16 mm	1
41	Drum-spacer	Wood 6 mm thk	1
42	Ratchet	Wood Ø16 mm	1
43	Clock-49-Minute-Shaft	Steel Dowel Ø3 mmx124 mm	1
44	Pawl	Wood Ø16 mm	3
45	Clock-49-Hour Gears Pivot	Steel Dowel Ø3mm x 18mm	1
46	Clock-49-Pendulum Bob Bottom	Wood Ø16 mm	1
47	Clock-49-Pendulum Bob Pin	Steel Pin Ø3 x18mm	4
48	Clock 49-Pendulum Bob Top	Wood 6mm thk	1
49	Clock 49-Pendulum Bob Centre	Wood Ø16 mm	1
50	Clock-49-Pendulum Bob Lock	Wood Ø16 mm	1
51	Clock-50-Pendulum Rod	Carbon Fibre -Ø6 x500 mm long	1
52	Clock-49-Pendulum Head	Wood 12 mm thk	1
53	Clock-49-Pendulum Connector Pin	Steel Pin Ø3 mm x 44mm	1
54	Clock-49-Gear-Shaft-2	Steel rod Ø3 x 115 long	1
55	Clock-49-Gear-Shaft-1	Steel rod Ø3 x 77 long	1
56	Pawl-Pin	Steel Ø2 mmx 12mm	6
57	Pin-Drum	Steel Ø2 mm x 29mm	1
58	Drive-Pin	Steel Ø2 mm x 32mm	2
59	Drive-Shaft	Brass Ø8 mm x 99mm	1
60	Clock-49-Gear-Shaft-3	Steel rod Ø3mm x 118 mm	1
61	Clock-49-Dial Pin	Steel Pin 3 mm Diameter x 18mm	2
62	Needle-Roller-Bearing-3mm-bore	HK 0306	9
63	Bearing-Flanged-8-14-4mm	S/S Ø8mmxØ14mm	2
64	Woodscrew No 10 x 2.5"	Brass No 10 x 63 mm	4
65	Woodscrew no8-1inch	Brass No 8 x 25 mm	1
66	Clock-49-Gear-Spacer-3a	Wood Ø12 mm	2
67	Clock-49-Weight Hanger pin-1	Brass Ø6 x 30 mm	1
68	Clock-49-Weight	Brass Ø28.5 x 125 mm	1
69	Weight Cord	Blind Cord Ø0.5 mm	1

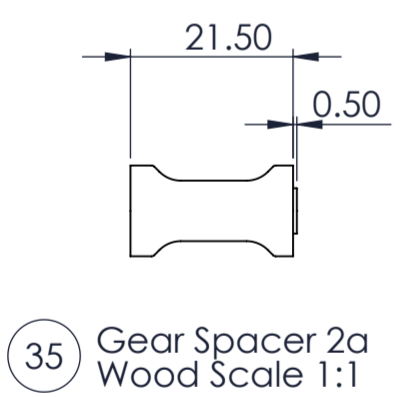
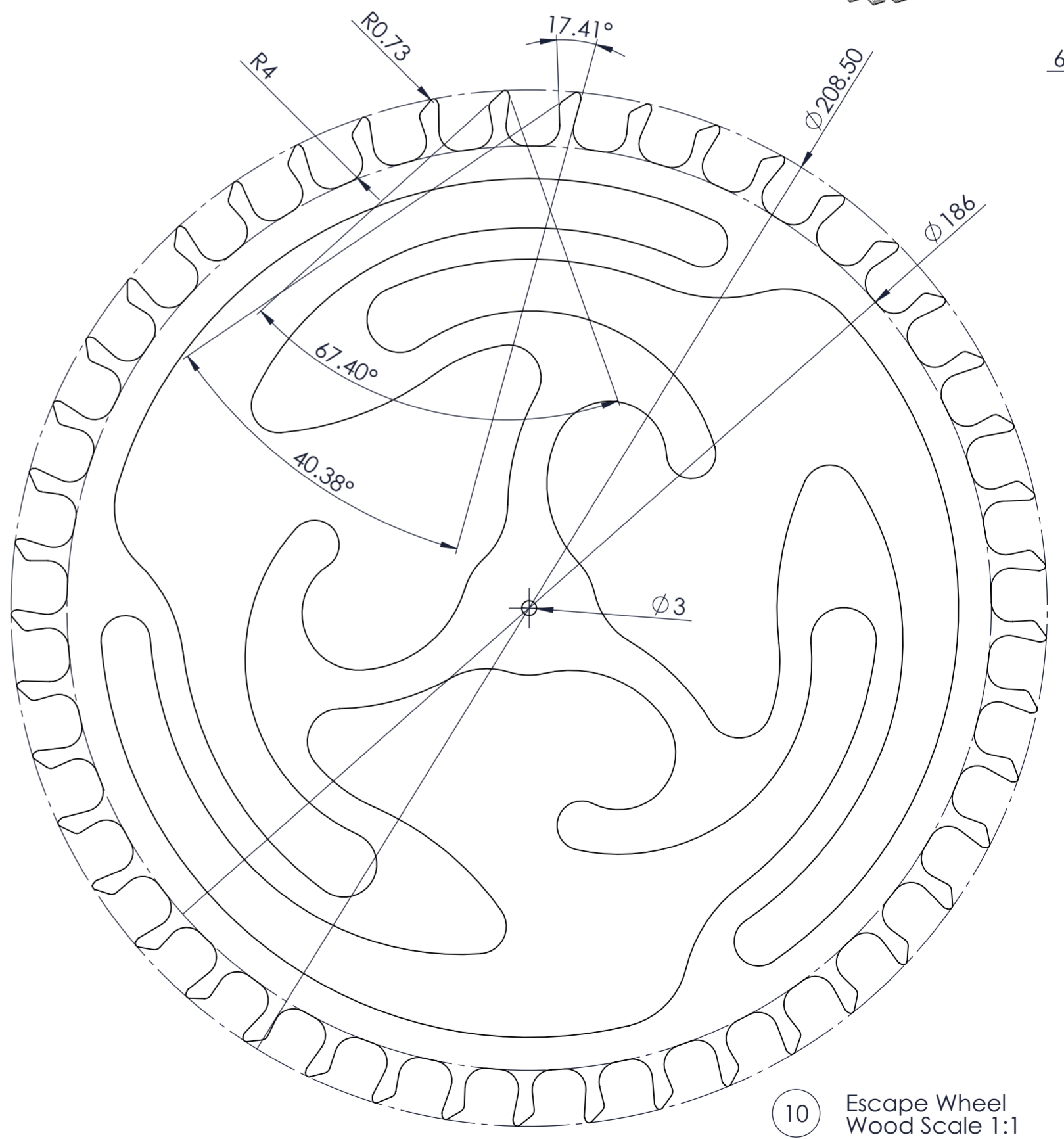
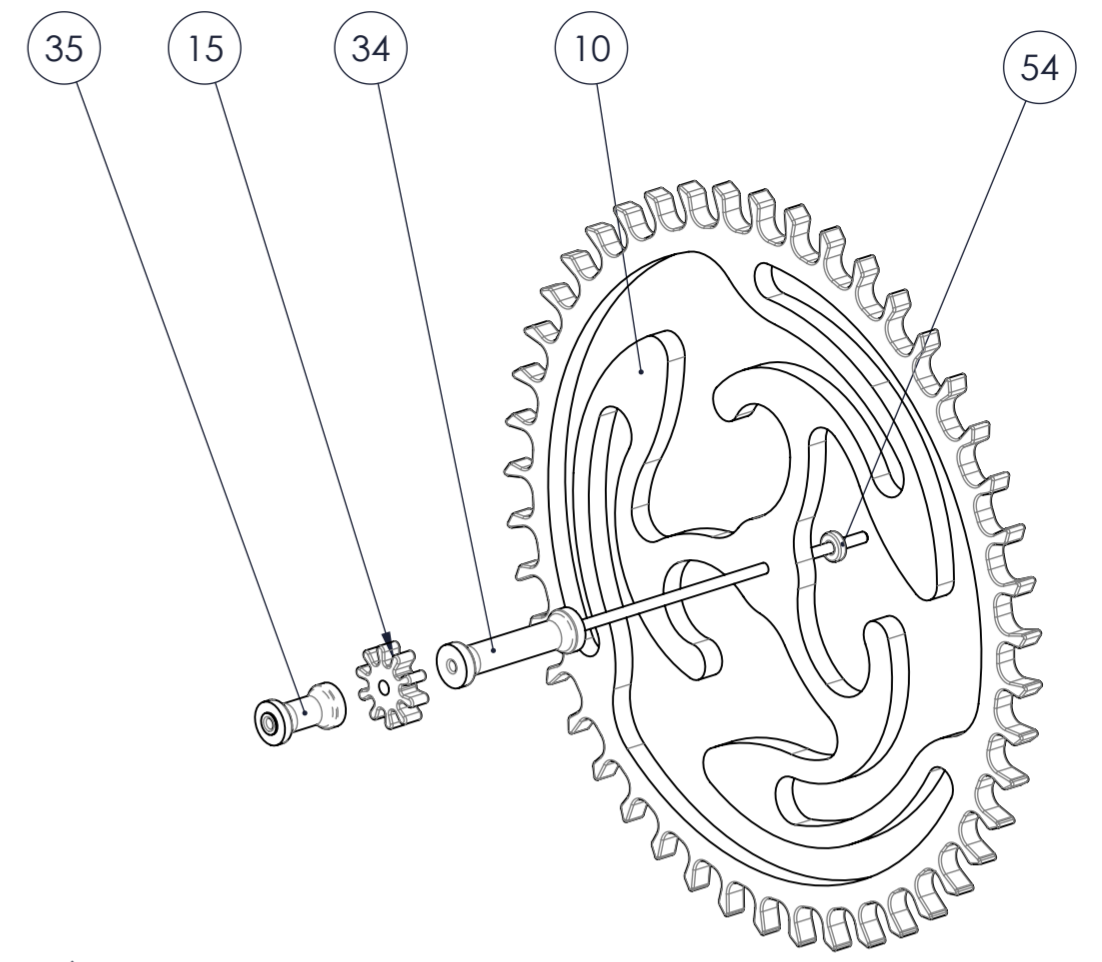
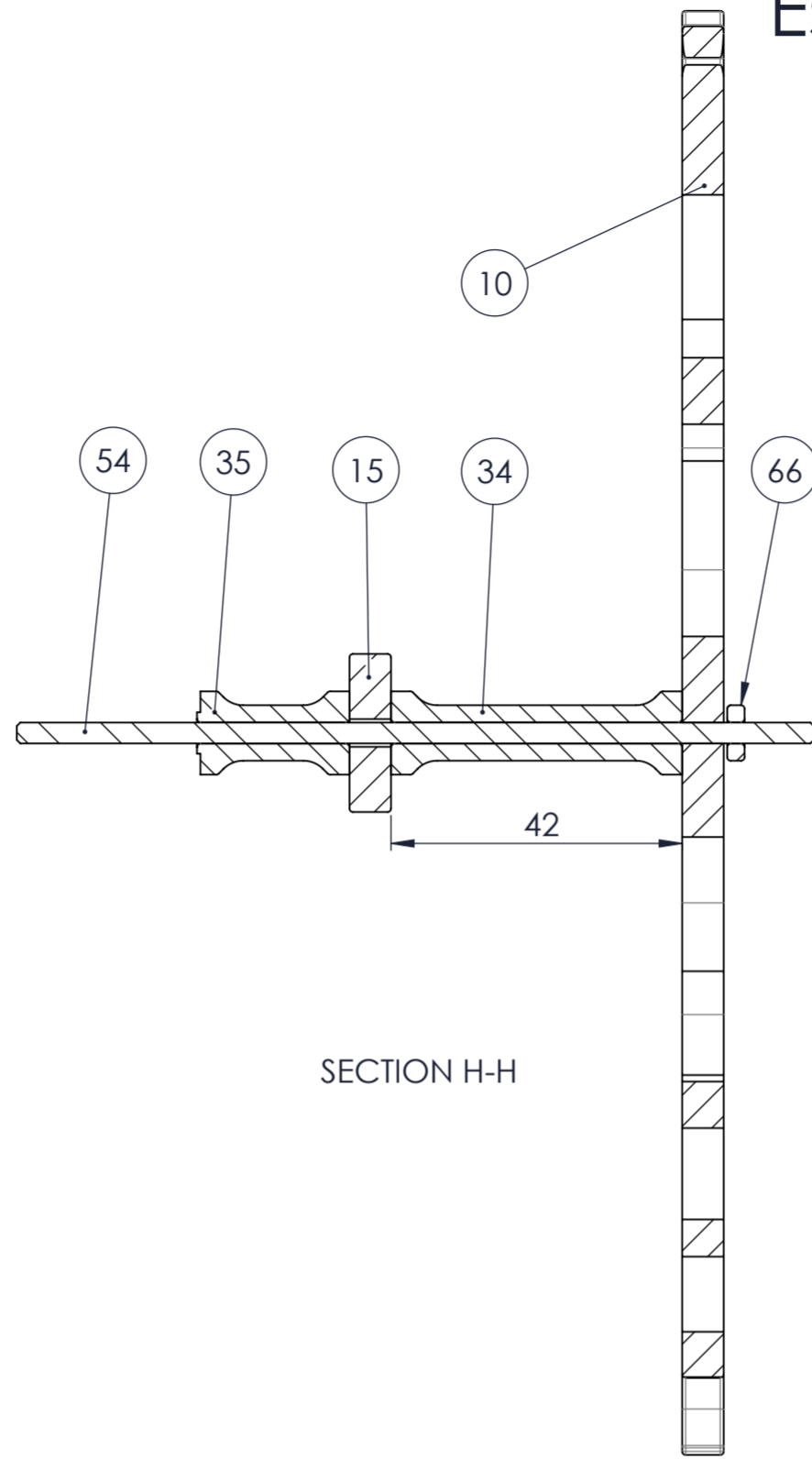
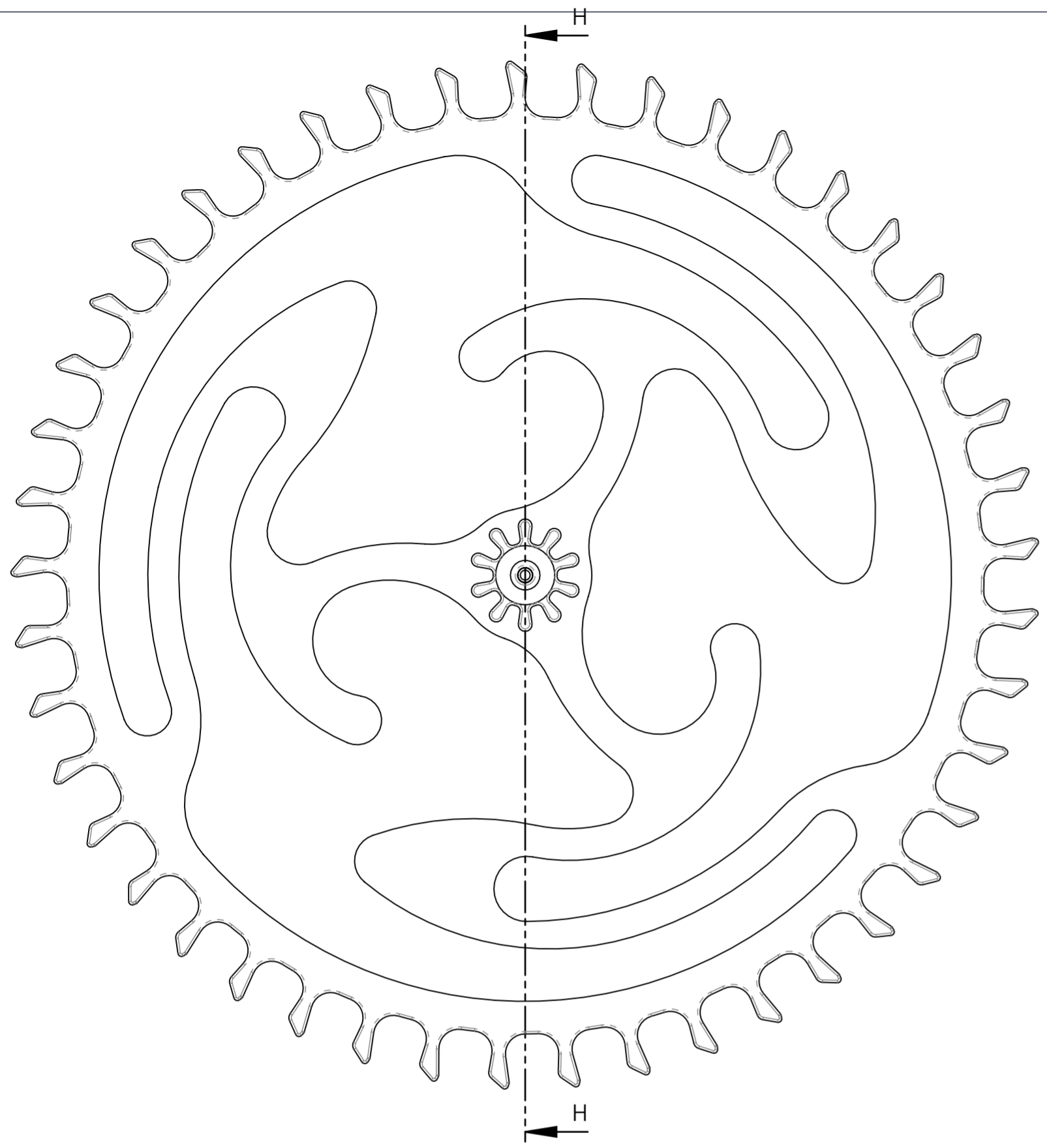


Sht 3 of 10 Shts	A2	Clock 49 - 24 Hour Clock	
Not to Scale Unless otherwise stated		All dimensions in mm and (inches) 3rd Angle projection	October 2022 Designed by: Brian law www.woodenclocks.co.uk

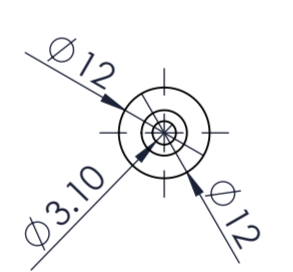


Sht 4 of 10Shts	A2	Clock 49 - 24 Hour Clock	
Not to Scale Unless otherwise stated		All dimensions in mm and (inches) 3rd Angle projection	Designed by: Brian law October 2022 www.woodenclocks.co.uk

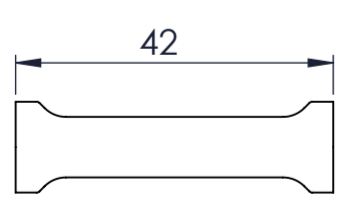
Escape Wheel Assembly



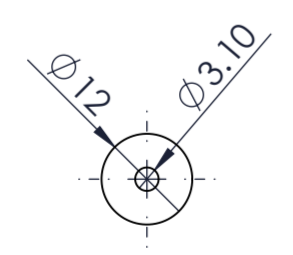
35 Gear Spacer 2a
Wood Scale 1:1



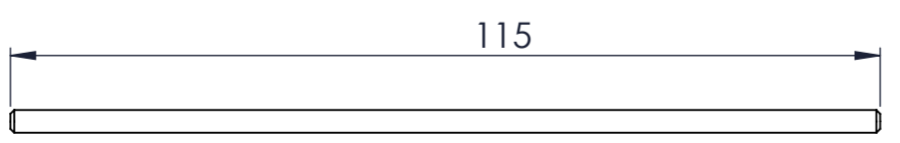
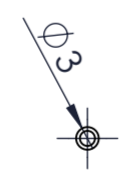
15 Gear 10 Teeth
Wood Scale 1:1



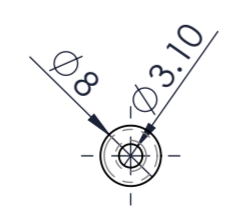
34 Gear Spacer 2
Wood Scale 1:1



66 Gear Spacer 3a
Wood Scale 1:1
2 Required

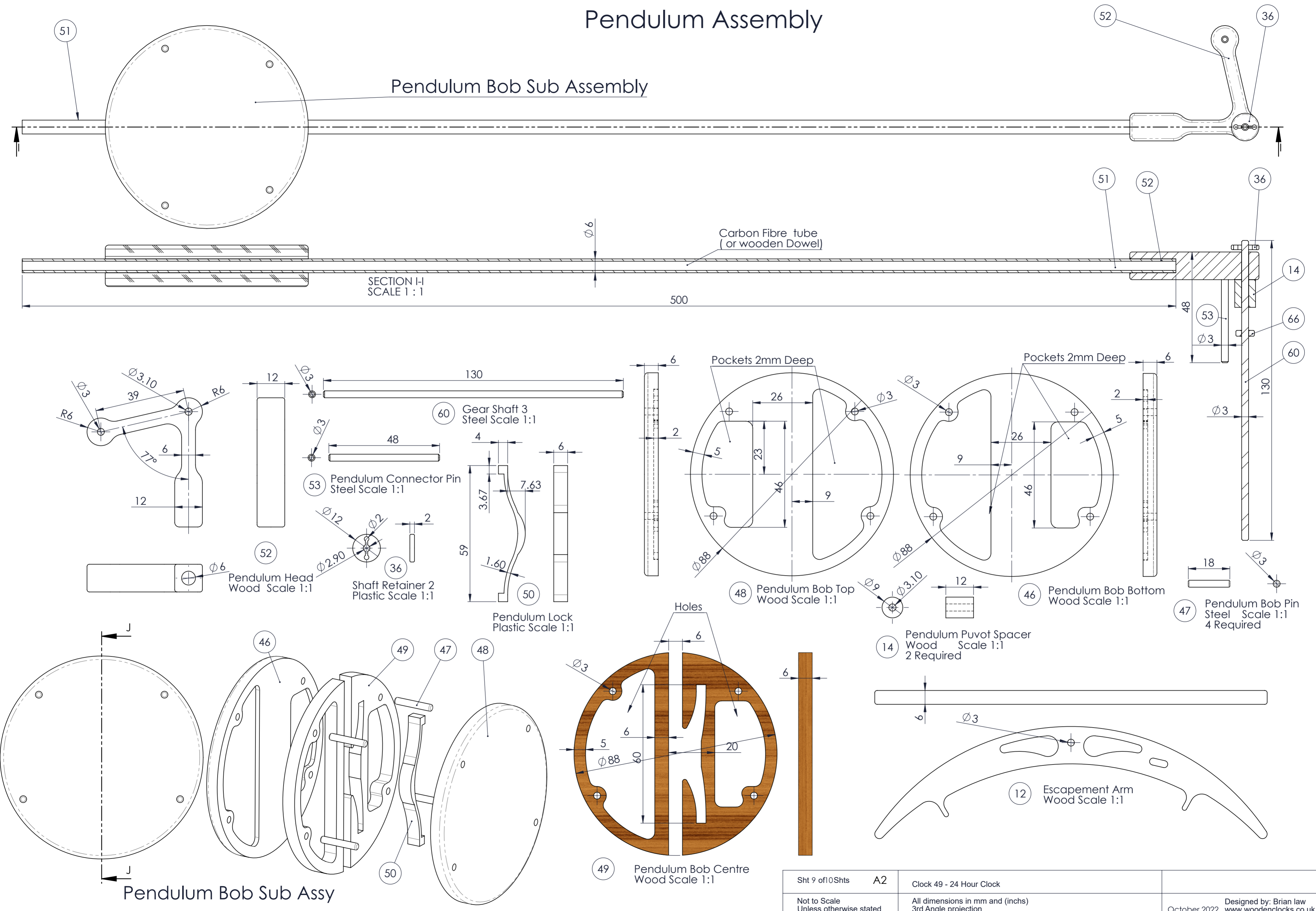


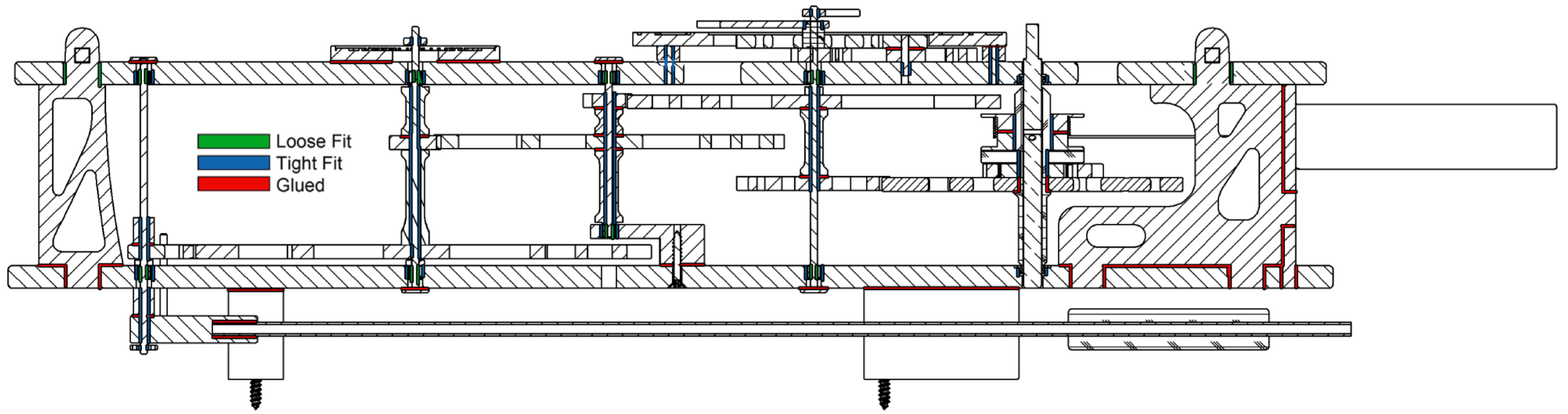
54 Gear Shaft 2
Steel Scale 1:1



Sht 8 of 10 Shts	A2	Clock 49 - 24 Hour Clock
Not to Scale Unless otherwise stated	All dimensions in mm and (inches) 3rd Angle projection	Designed by: Brian Iaw October 2022 www.woodenclocks.co.uk

Pendulum Assembly





Sht10 of 10Shts	A2	Clock 49 - 24 Hour Clock	
Not to Scale Unless otherwise stated		All dimensions in mm and (inches) 3rd Angle projection	Designed by: Brian law October 2022 www.woodenclocks.co.uk