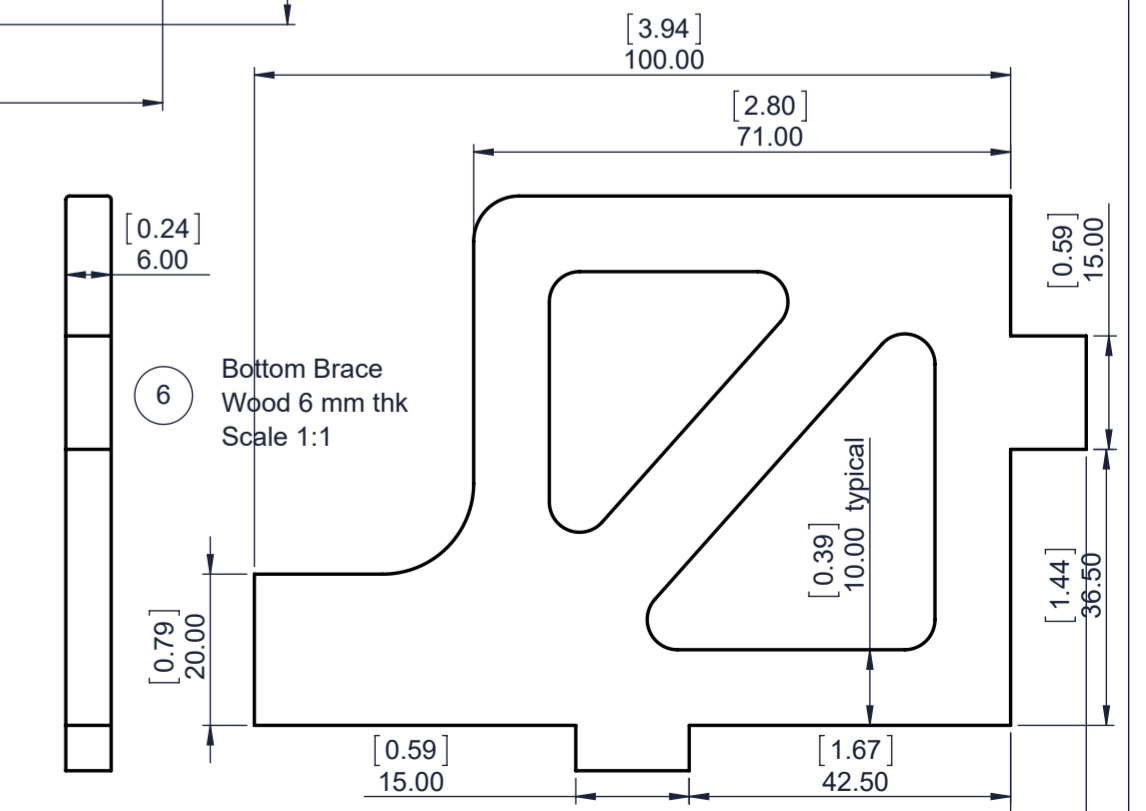
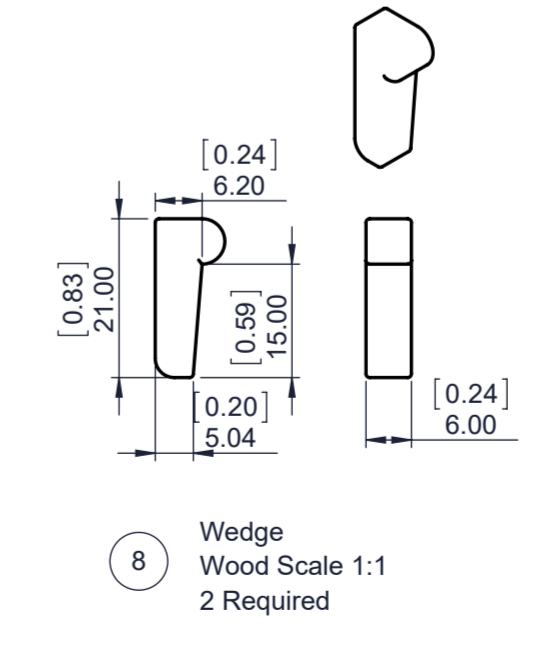
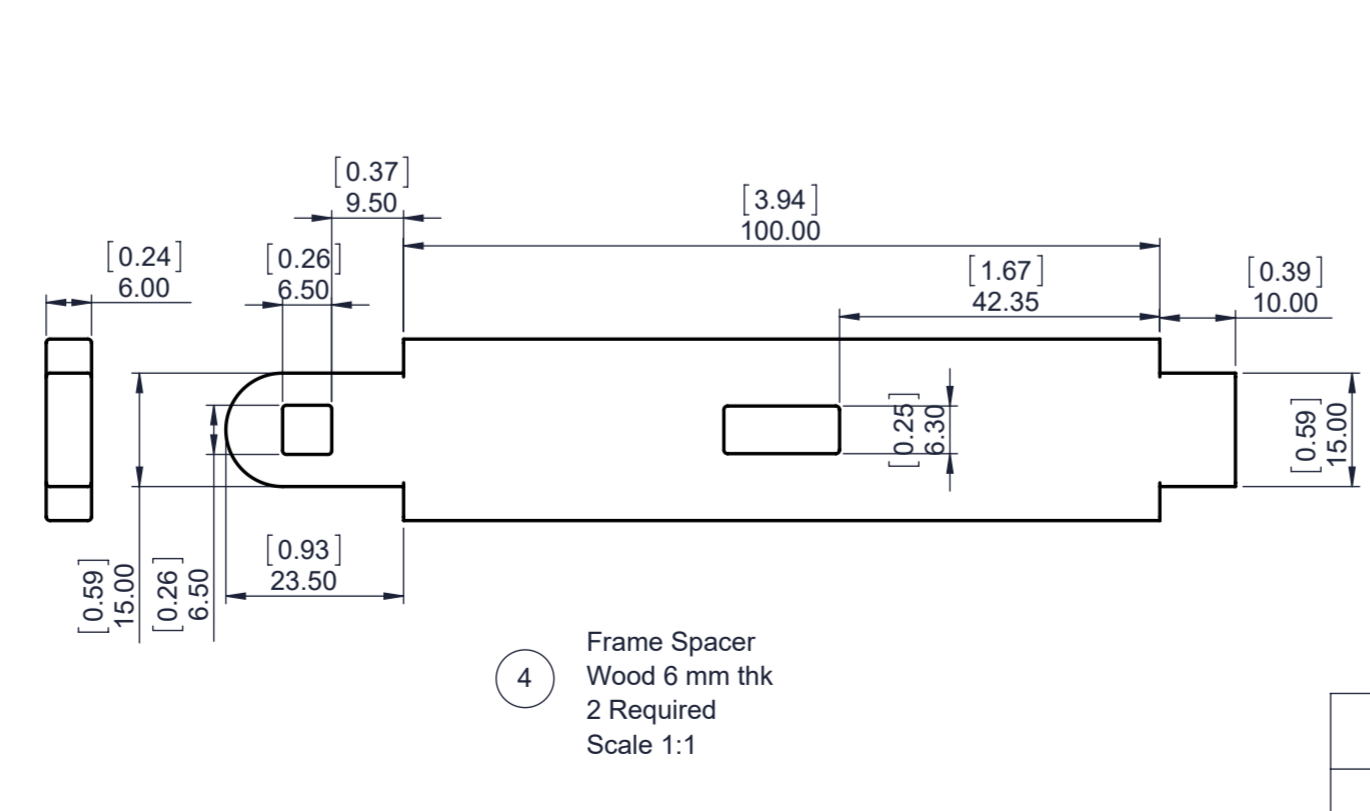
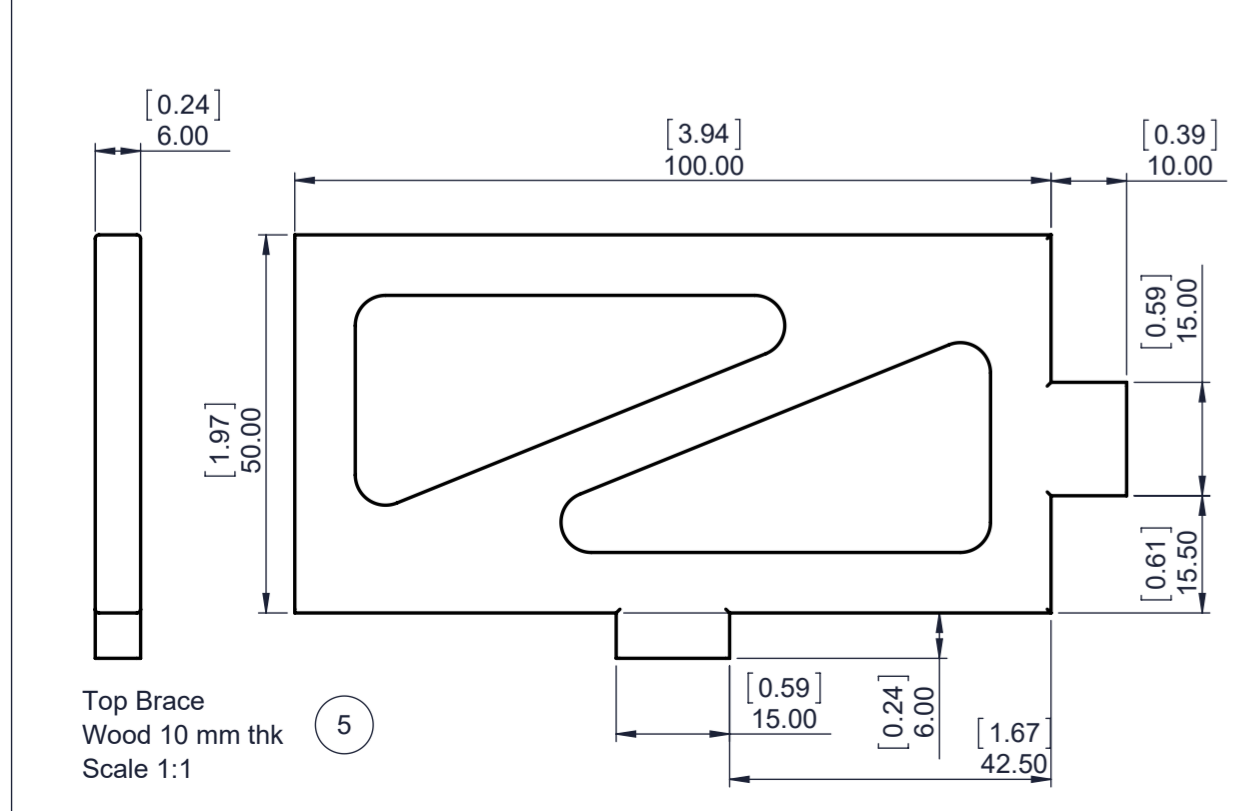
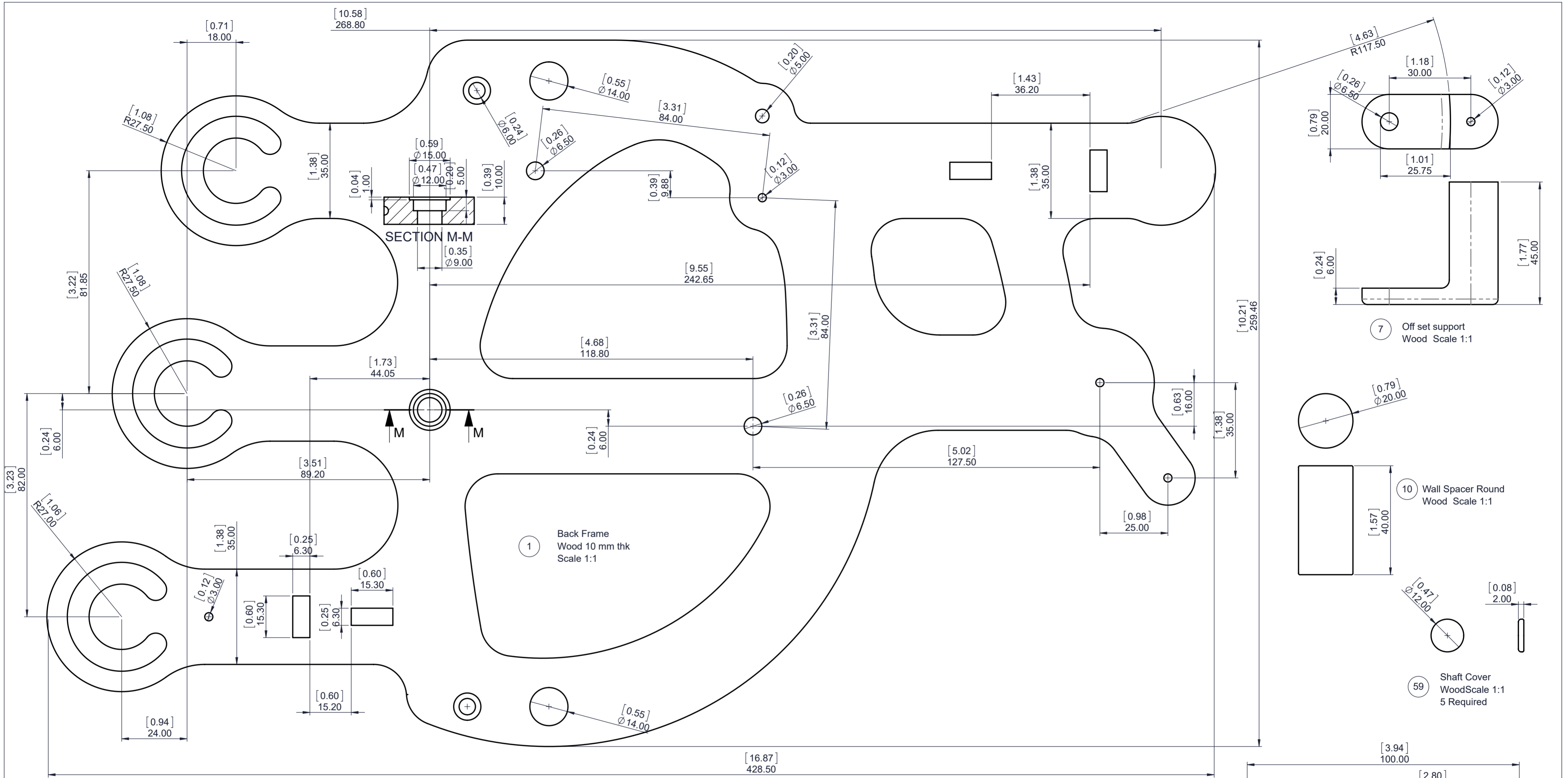
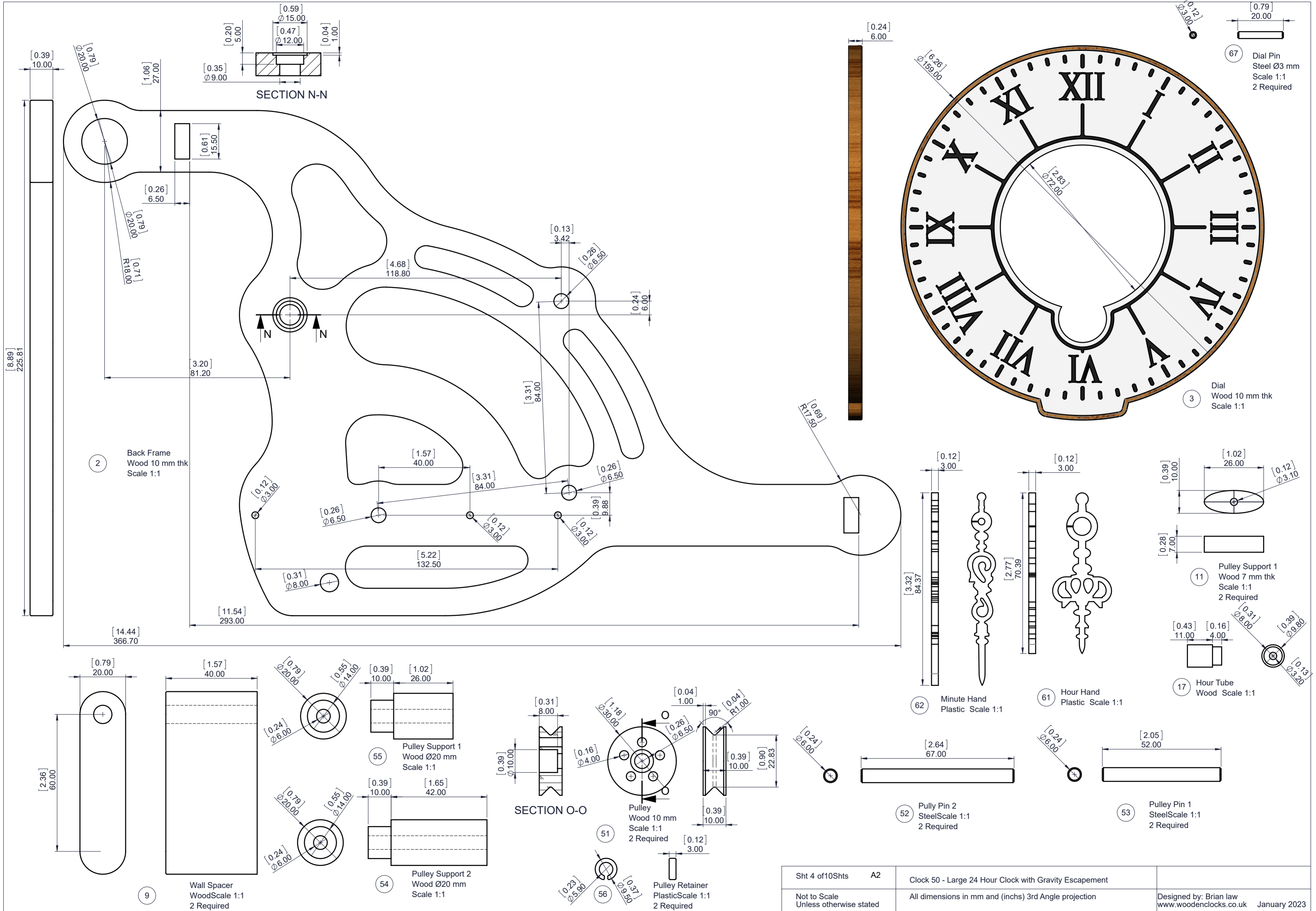


SECTION K-K
SCALE 1 : 2

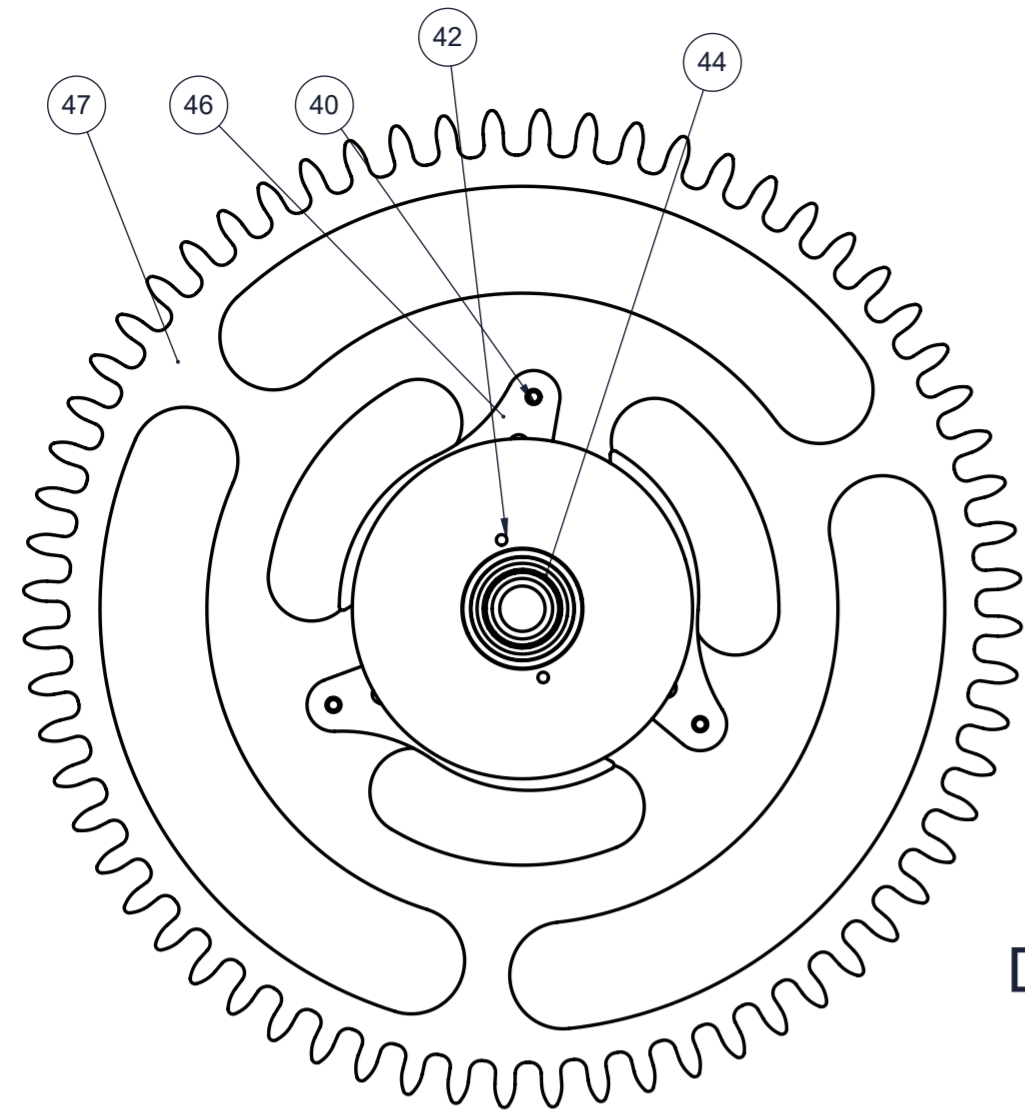
Sht 1 of 10 Shts	A2	Clock 50 - 24 Hour Clock with Gravity Escapement	
Not to Scale Unless otherwise stated		All dimensions in mm and (inches) 3rd Angle projection	Designed by: Brian law www.woodenclocks.co.uk January 2023



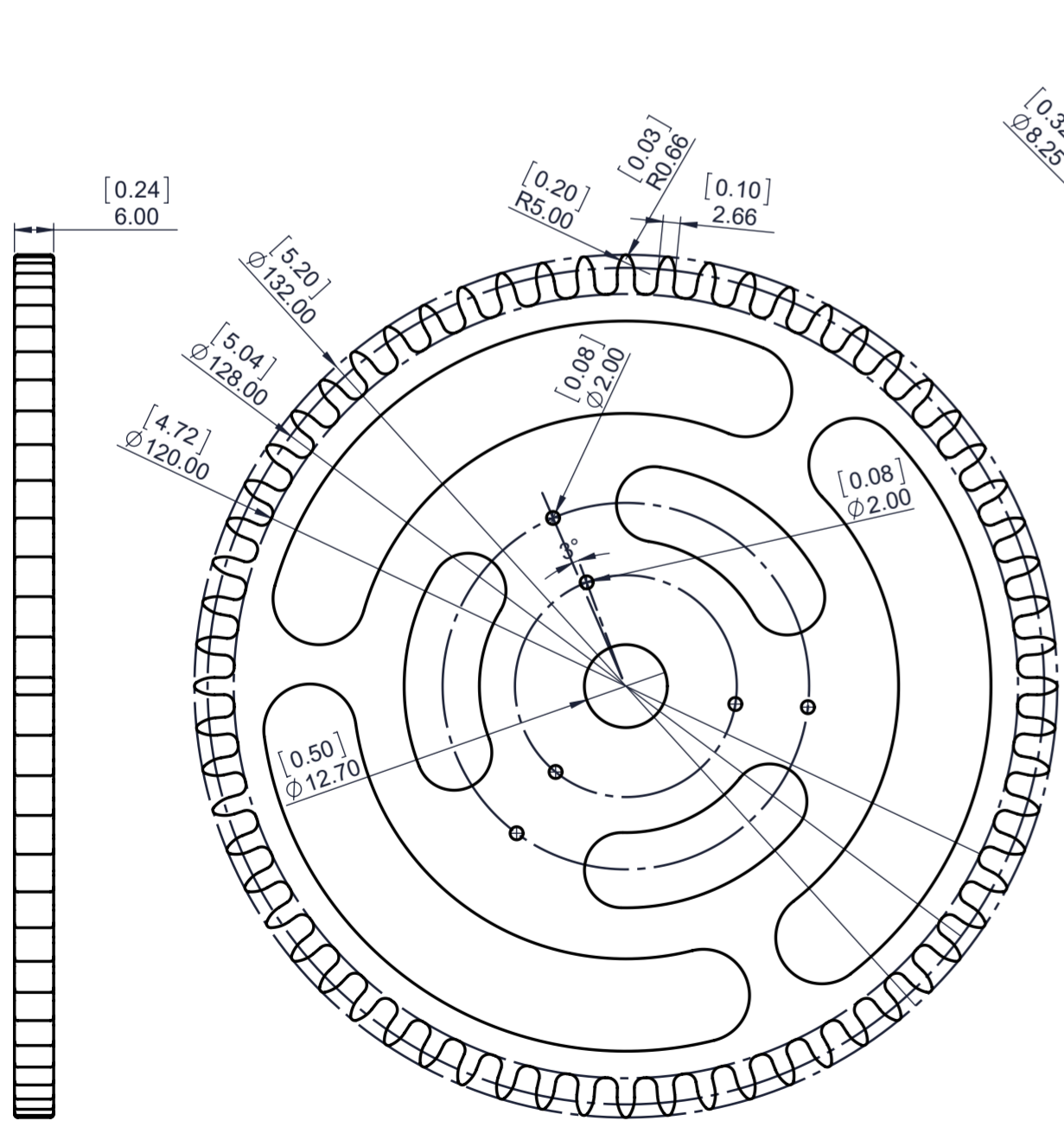
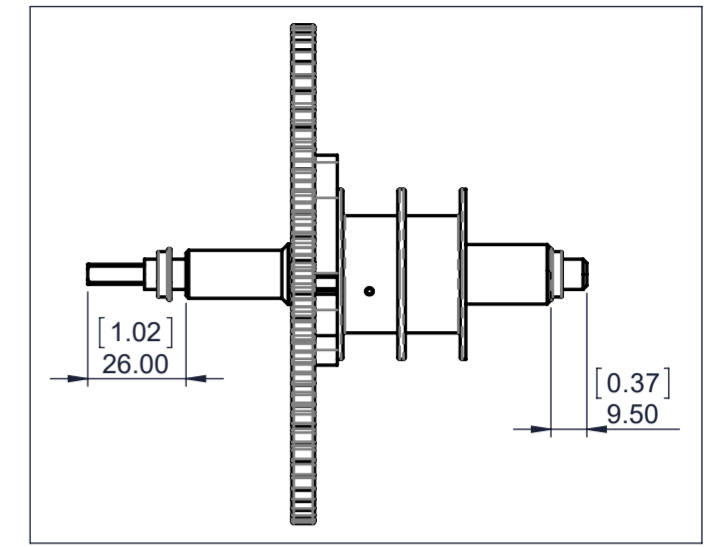
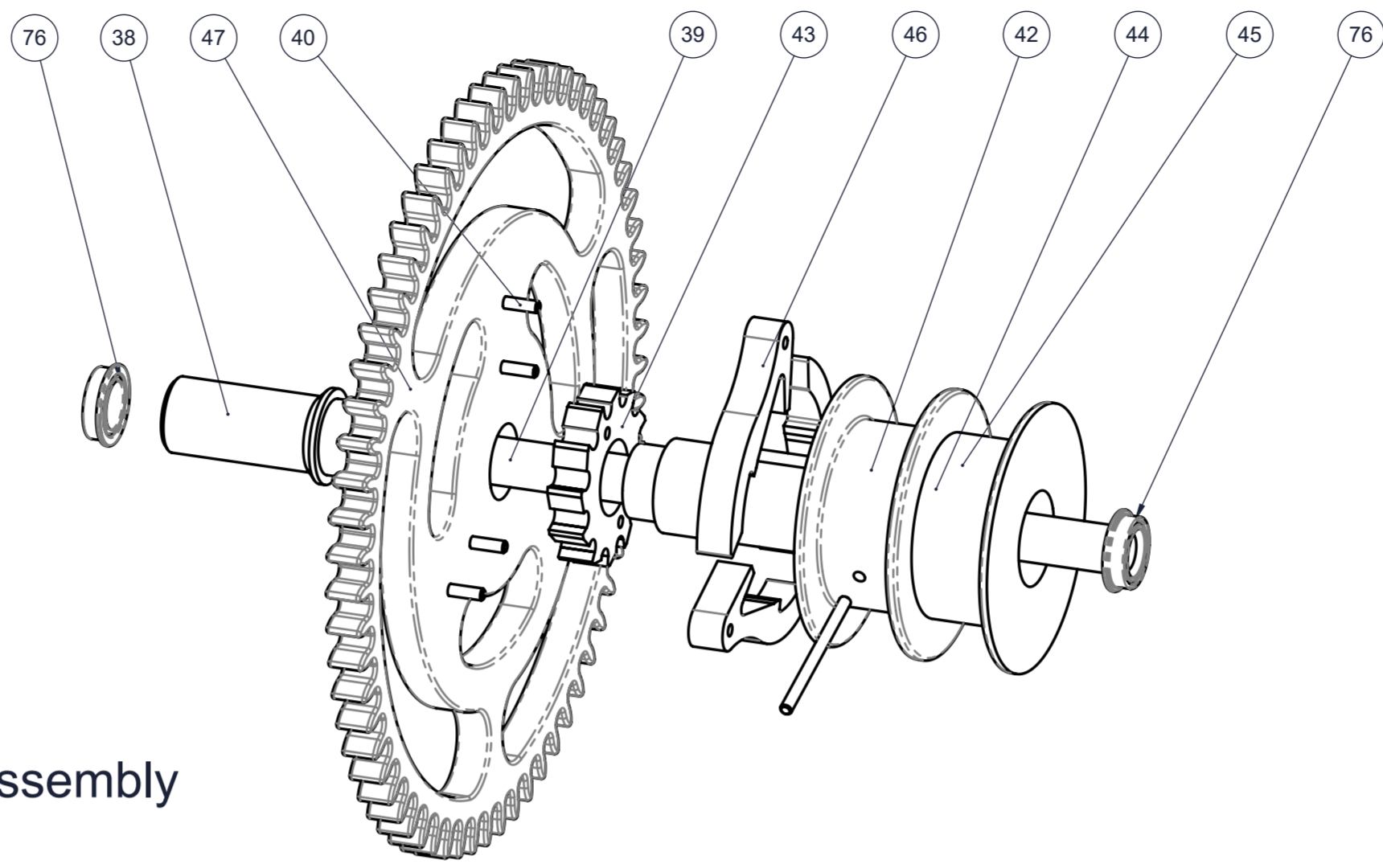
Sht 3 of 10 Shts	A2	Clock 50 - Large 24 Hour Clock with Gravity Escapement	
Not to Scale Unless otherwise stated		All dimensions in mm and (inches) 3rd Angle projection	Designed by: Brian law www.woodenclocks.co.uk January 2023



Sht 4 of 10 Shts	A2	Clock 50 - Large 24 Hour Clock with Gravity Escapement	Designed by: Brian law www.woodenclocks.co.uk January 2023
Not to Scale Unless otherwise stated		All dimensions in mm and (inches) 3rd Angle projection	

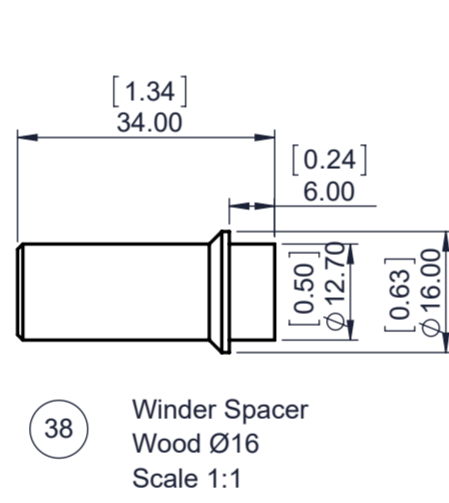


Drive Assembly

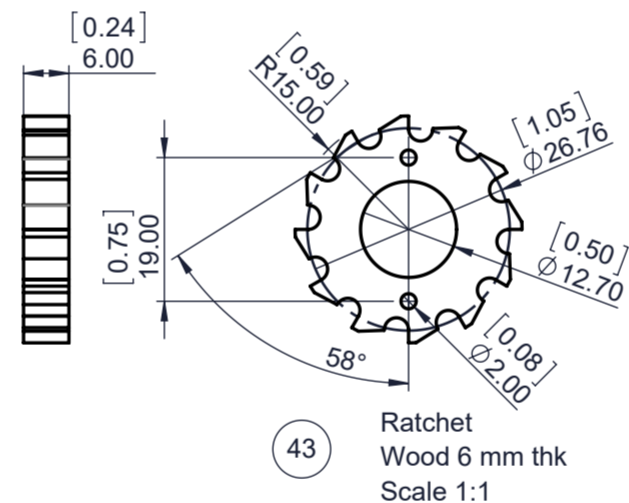


Gear 64 Teeth
Wood 6 mm thk
Scale 1:1

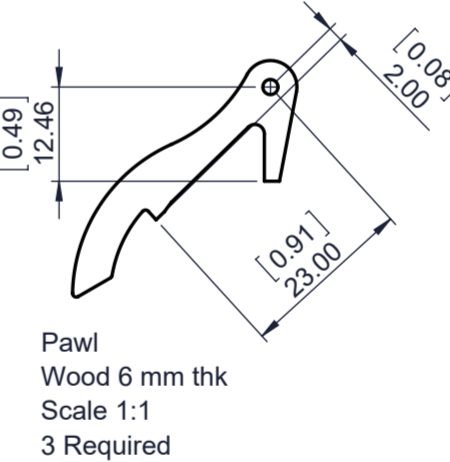
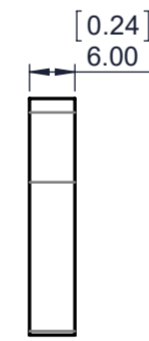
40 Pawl Pin
Steel Ø2mm
Scale 1:1



38 Winder Spacer
Wood Ø16
Scale 1:1



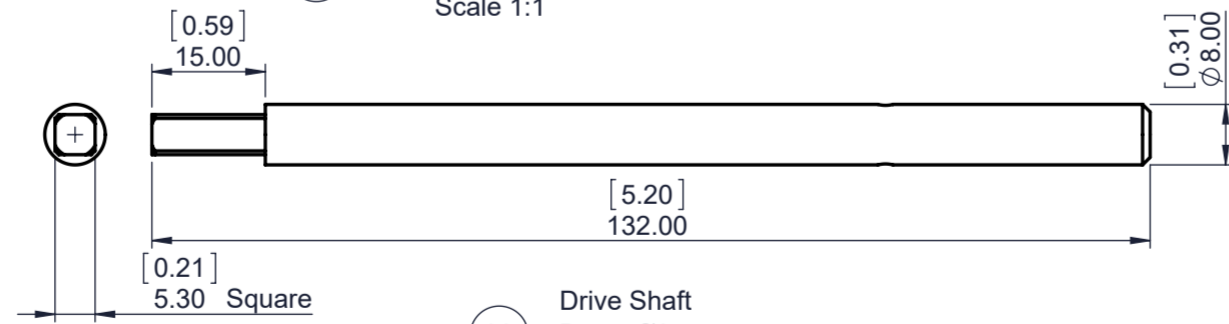
43 Ratchet
Wood 6 mm thk
Scale 1:1



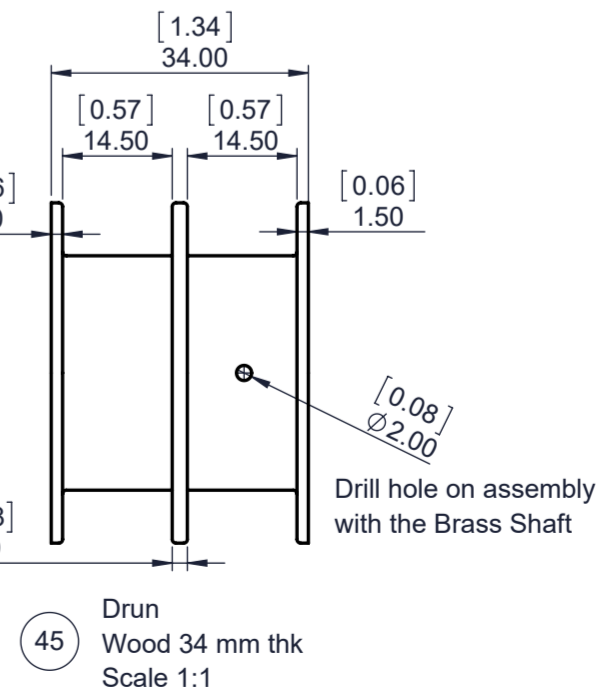
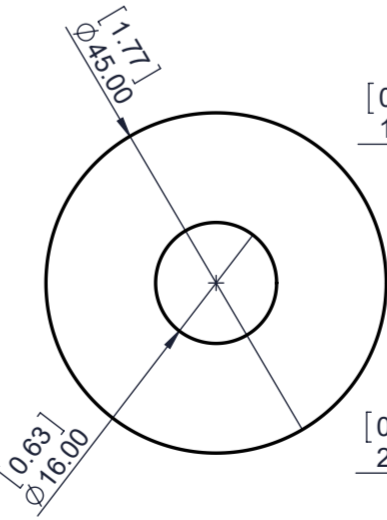
46 Pawl
Wood 6 mm thk
Scale 1:1
3 Required



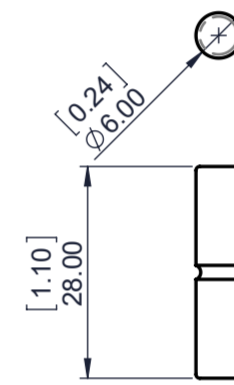
44 Shaft Spacer Back
Wood Ø16
Scale 1:1



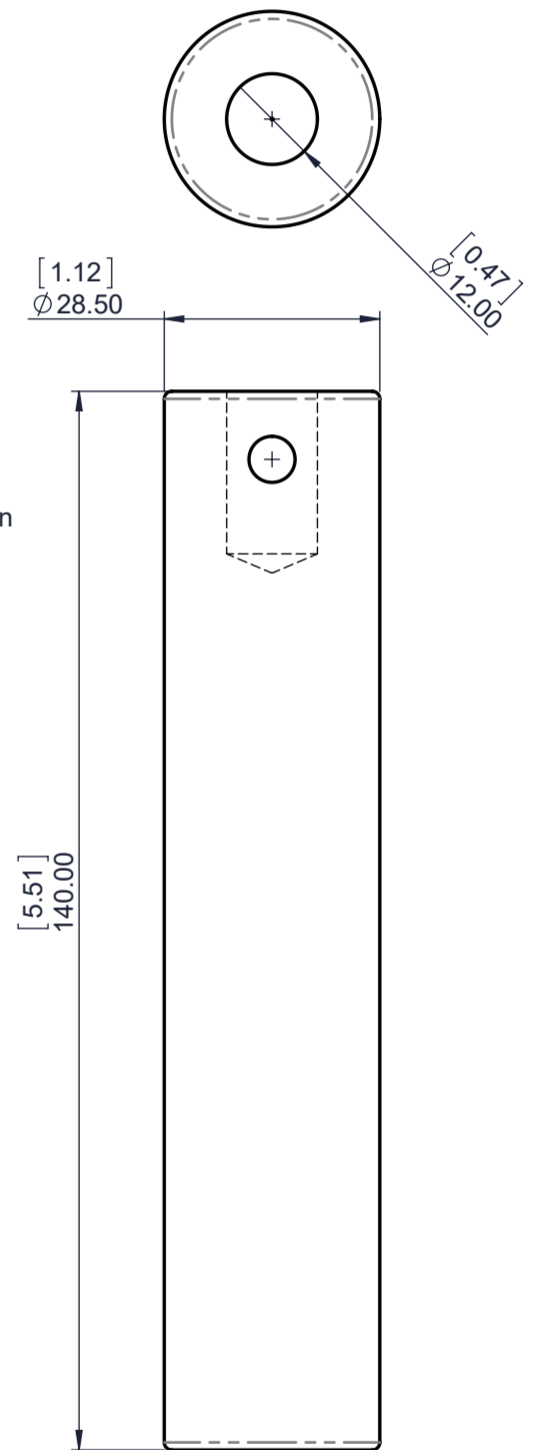
39 Drive Shaft
Brass Ø8
Scale 1:1



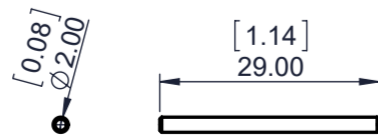
45 Drum
Wood 34 mm thk
Scale 1:1



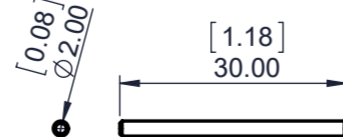
72 Weight Hanger Pin
Brass Scale 1:1
2 Required



71 Weight - 700 grams
Brass Scale 1:1
2 Required



41 Pin-Drum
Steel Ø2 Scale 1:1
1 Required



42 Drive Pin
Steel Ø16 Scale 1:1
2 Required

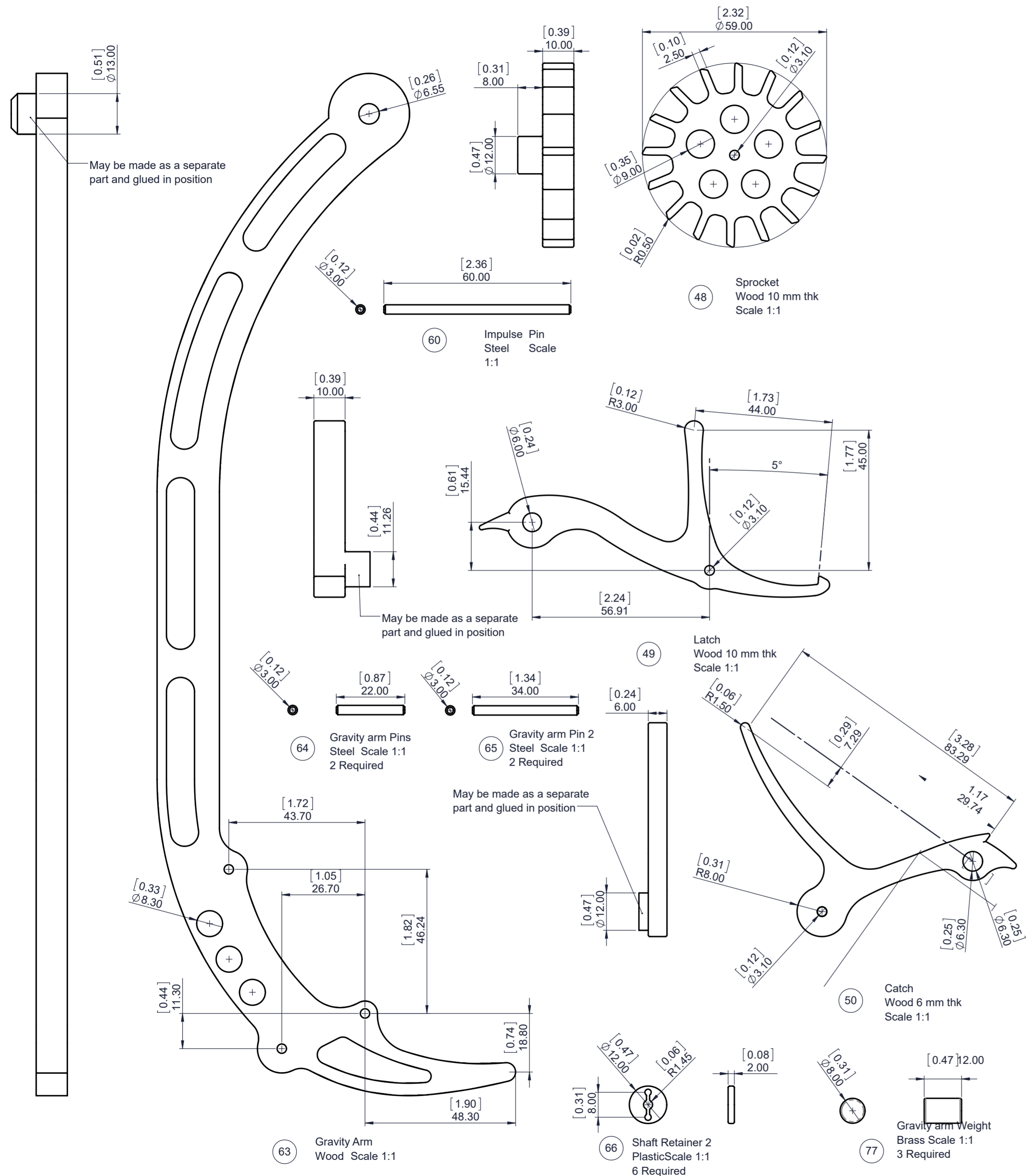


40 Drive Pin
Steel Ø16 Scale 1:1
6 Required

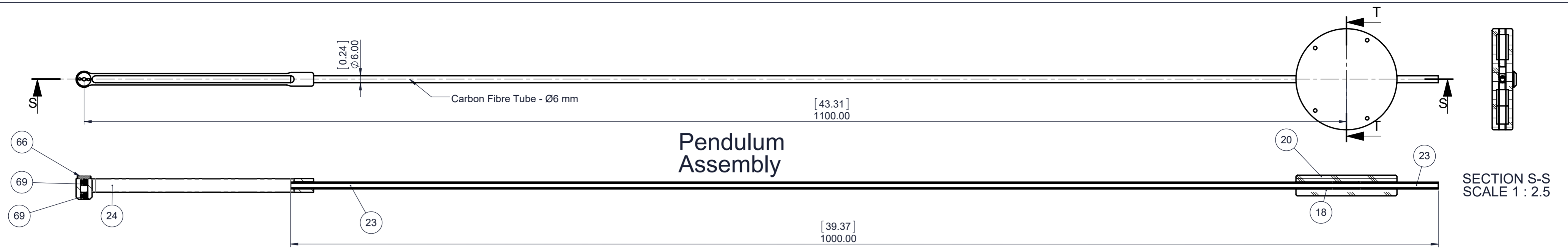
Sht 5 of 10 Shts A2
Not to Scale Unless otherwise stated

Clock 50 - Large 24 Hour Clock with Gravity Escapement
All dimensions in mm and (inches) 3rd Angle projection

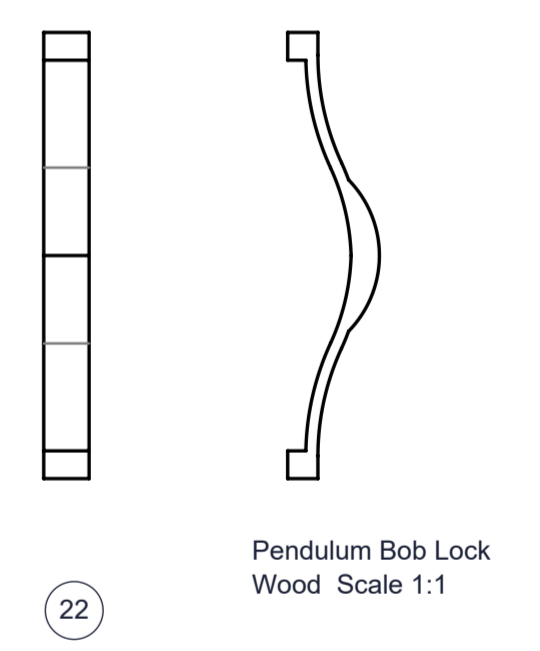
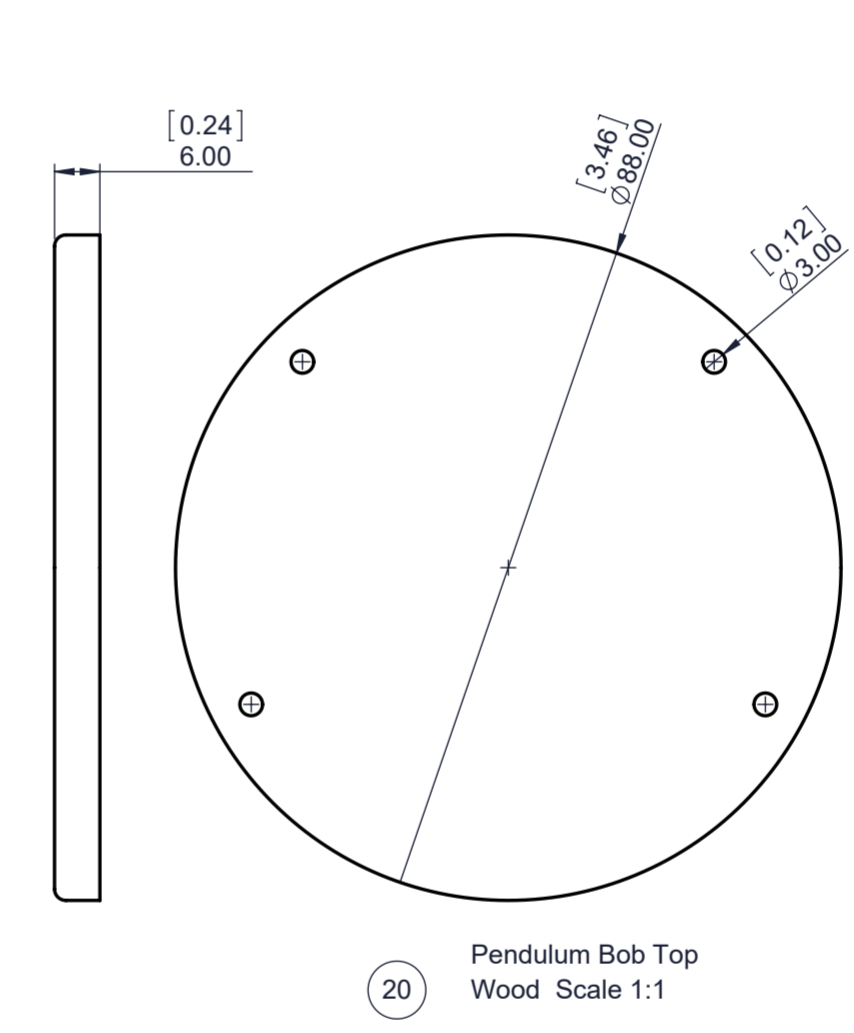
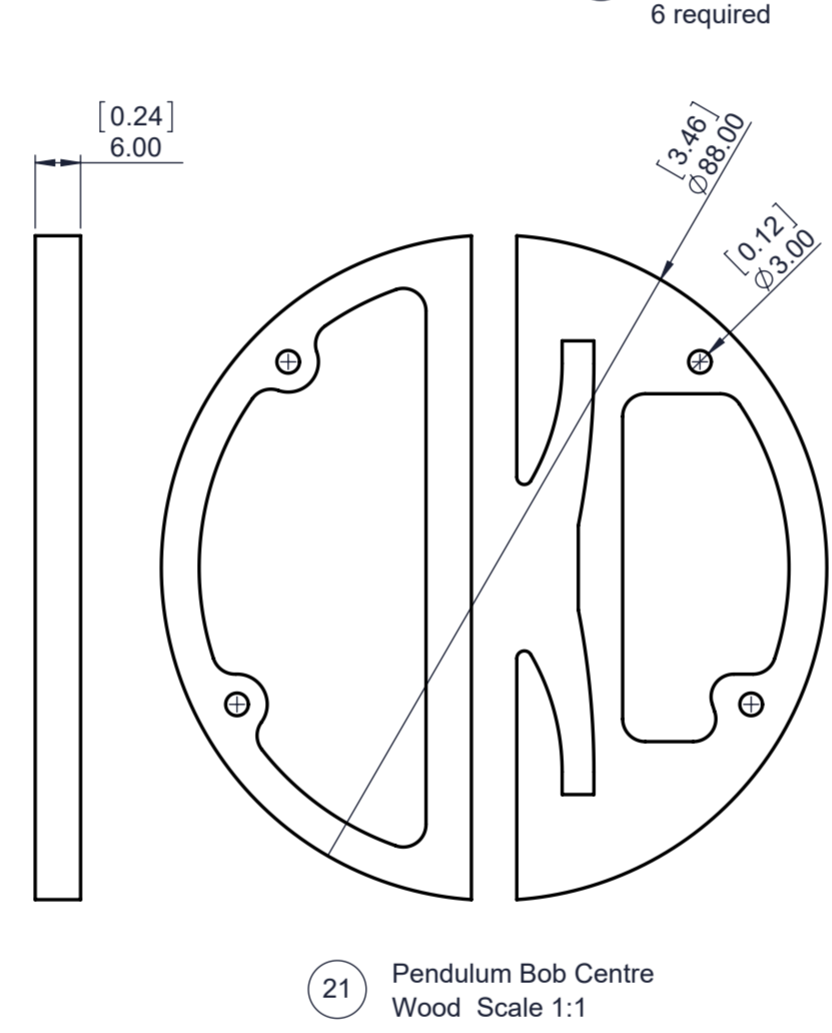
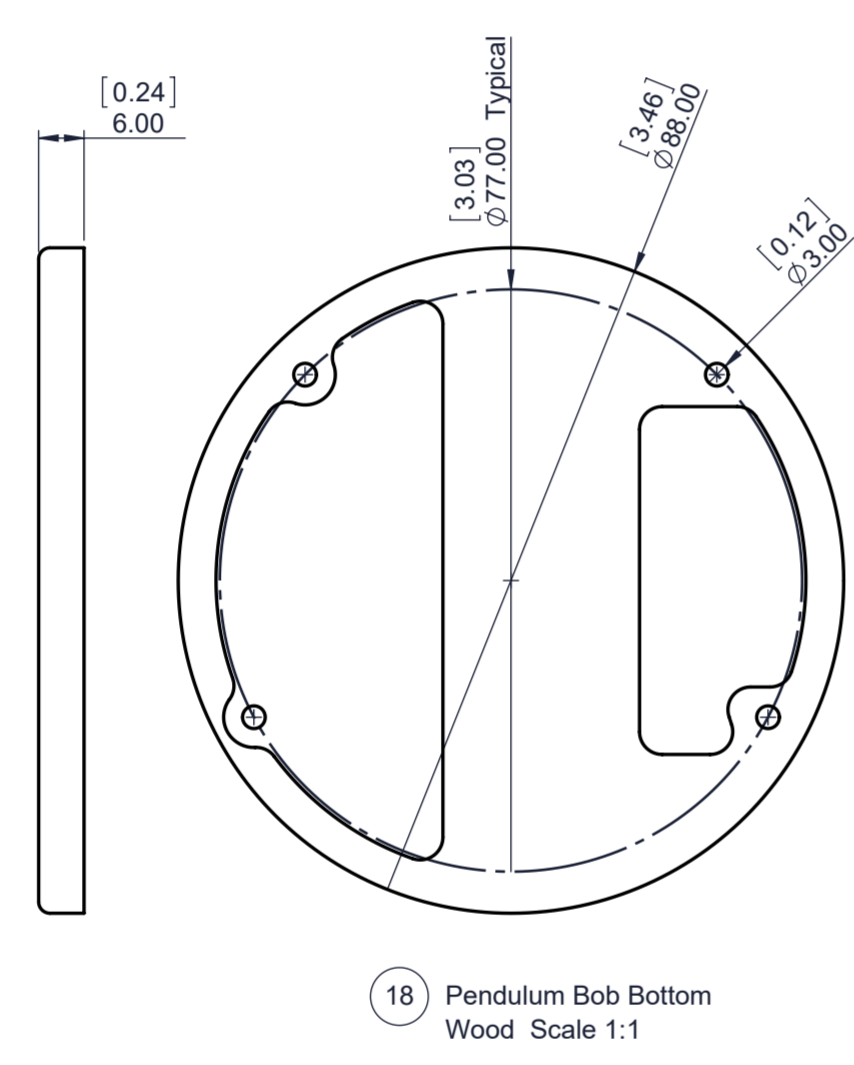
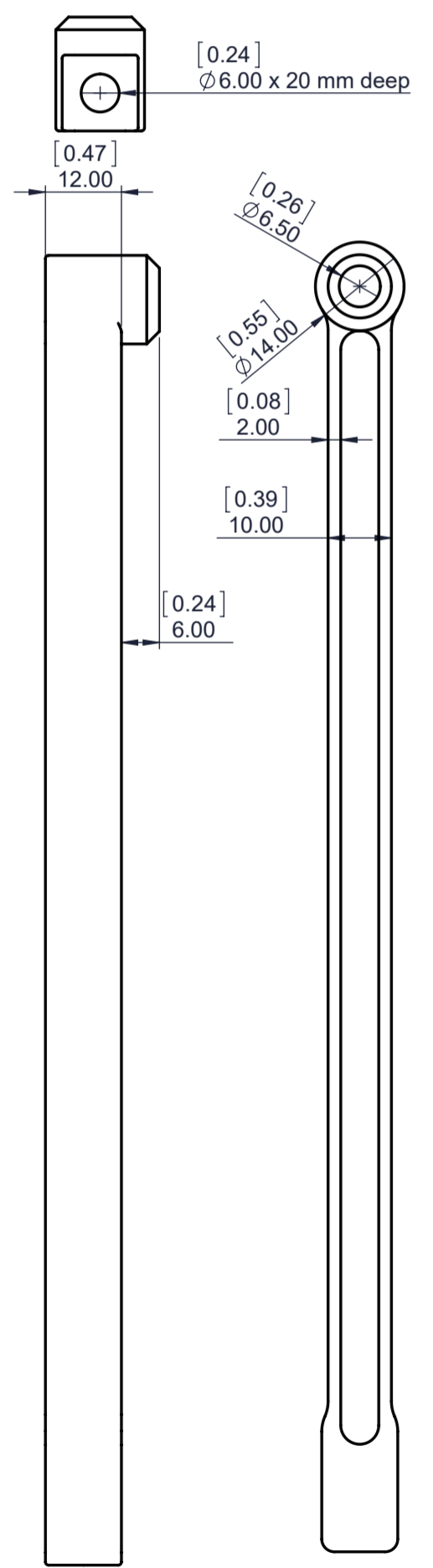
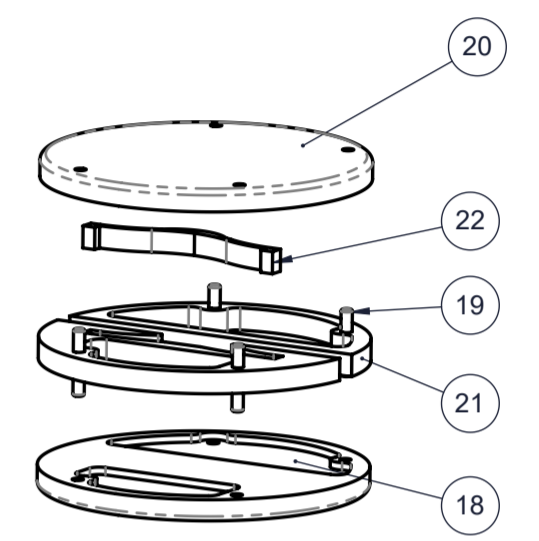
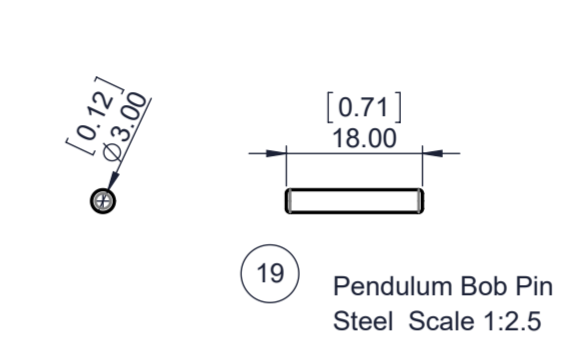
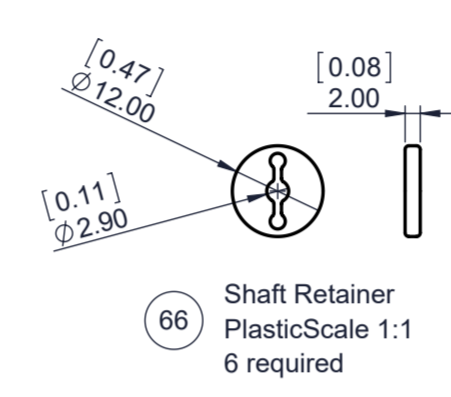
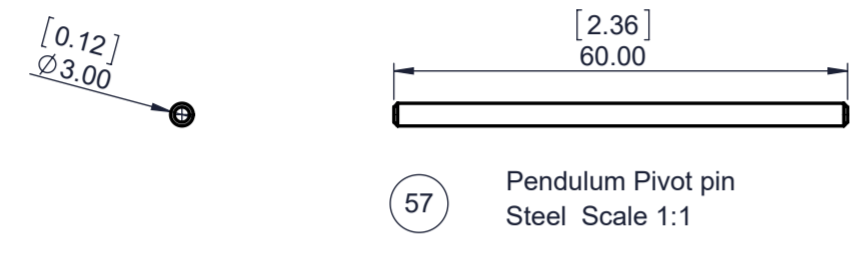
Designed by: Brian law
www.woodenclocks.co.uk January 2023



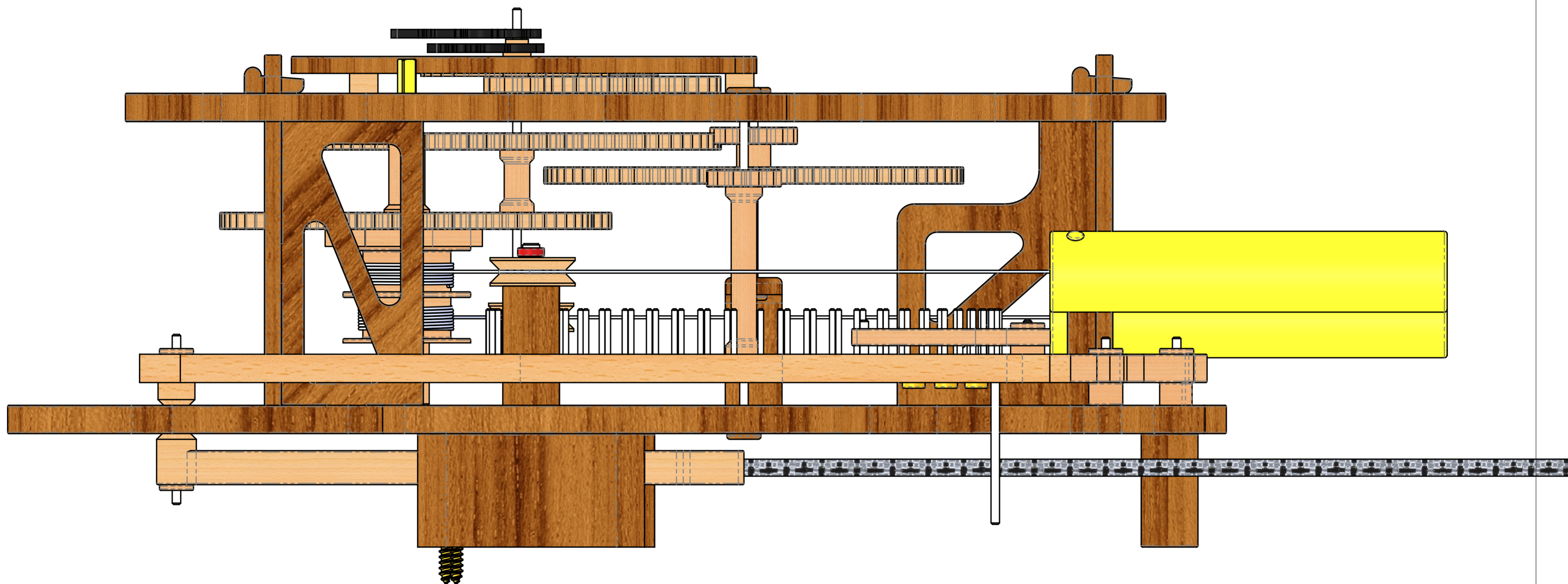
Sht of Shts	A2	Clock 50 - Large 24 Hour Clock with Gravity Escapement	
Not to Scale Unless otherwise stated		All dimensions in mm and (inches) 3rd Angle projection	Designed by: Brian law www.woodenclocks.co.uk January 2023



SECTION S-S
SCALE 1 : 2.5



Sht 9 of 10 Shts	A2	Clock 50 - Large 24 Hour Clock with Gravity Escapement	
Not to Scale Unless otherwise stated		All dimensions in mm and (inches) 3rd Angle projection	Designed by: Brian law www.woodenclocks.co.uk January 2023



Sht10 of 10Shts	A2	Clock 50 - Large 24 Hour Clock with Gravity Escapement	
Not to Scale Unless otherwise stated		All dimensions in mm and (inches) 3rd Angle projection	Designed by: Brian law www.woodenclocks.co.uk January 2023