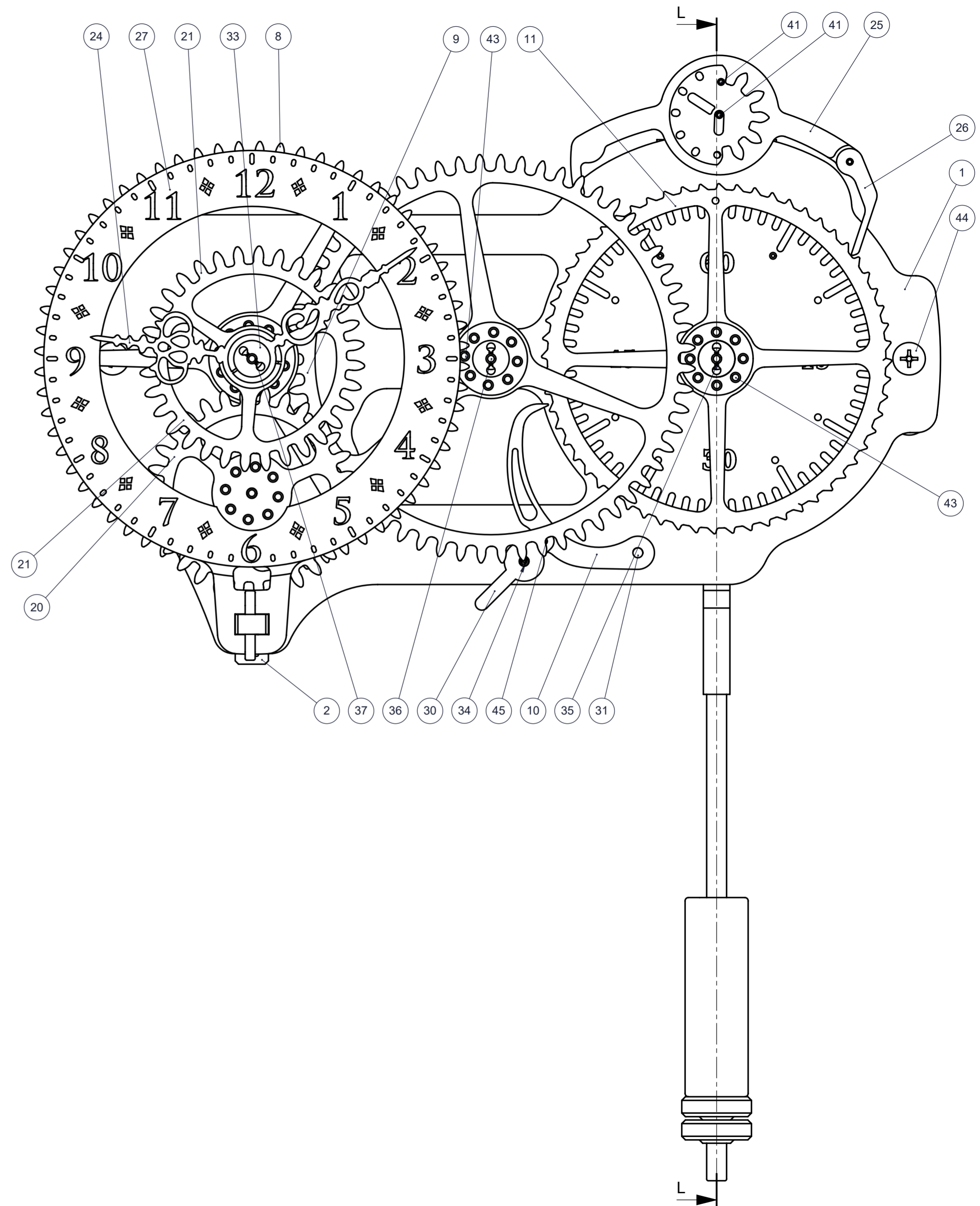
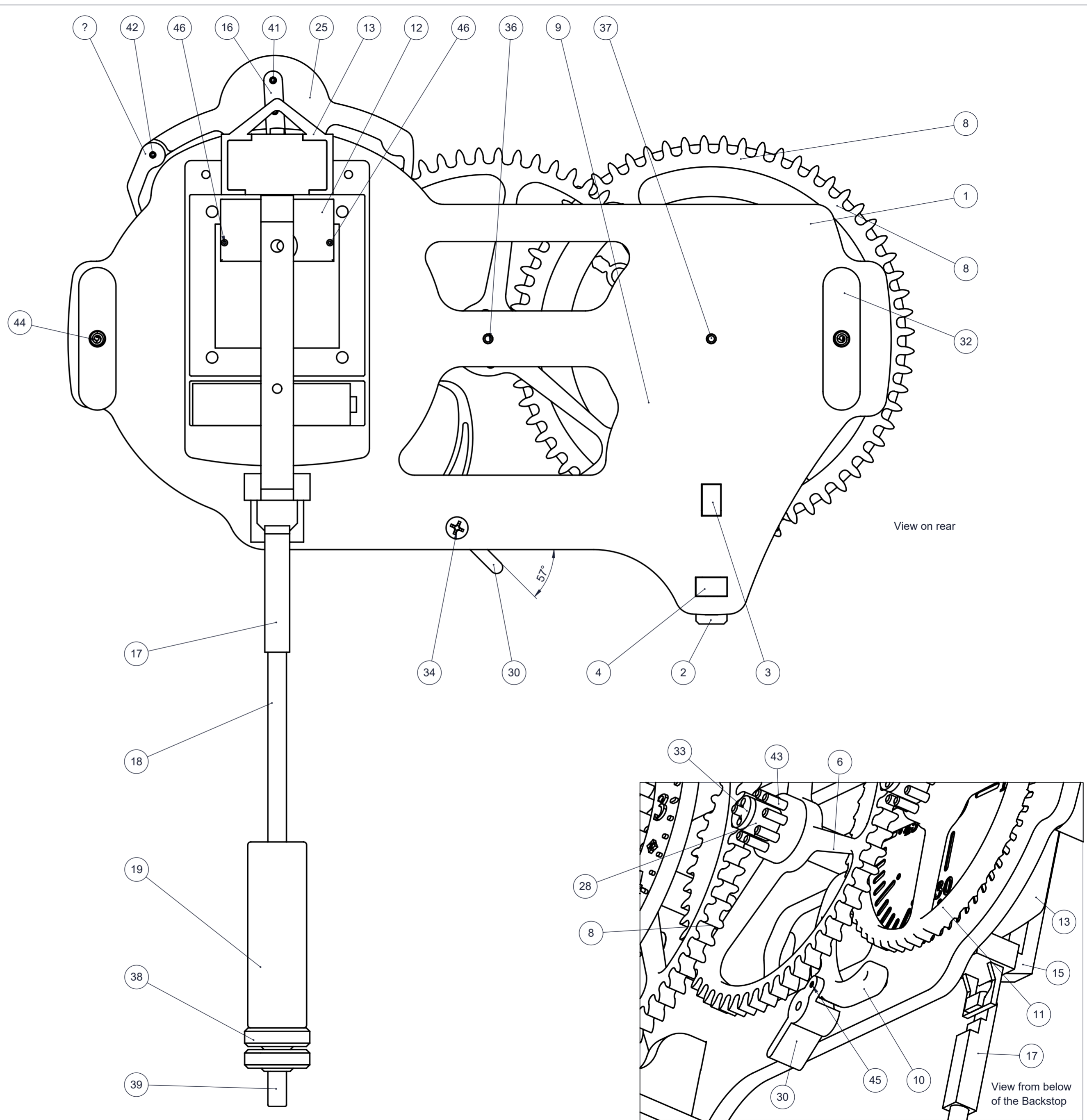


SECTION L-L

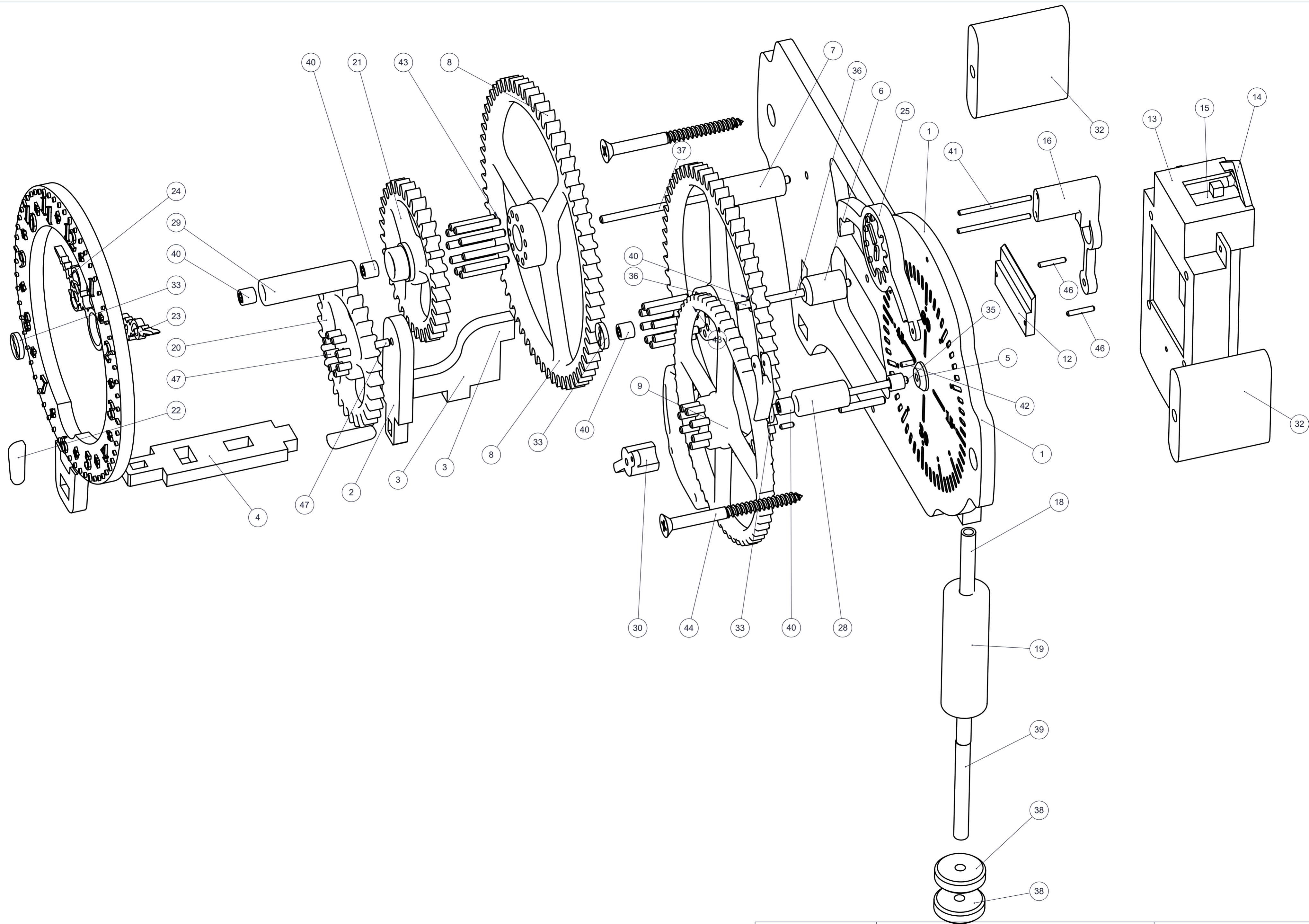


Sht of Shts	A2	Clock 52 - Pendulum Driven Clock	
Not to Scale Unless otherwise stated		All dimensions in mm and (inches) 3rd Angle projection	Designed by: Brian Iaw August 2023 www.woodenclocks.co.uk

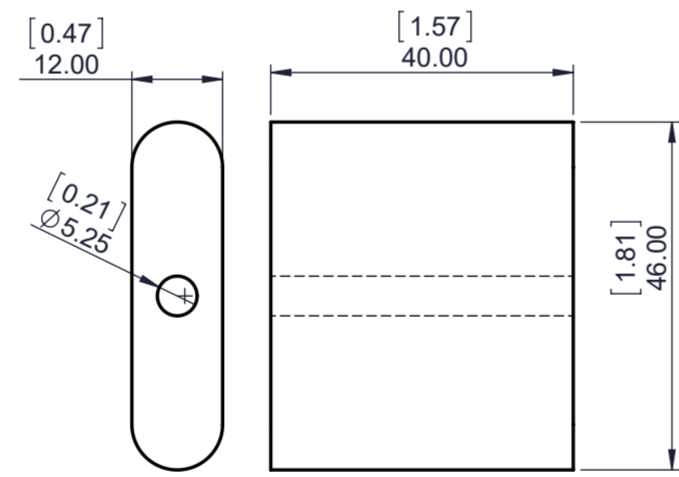
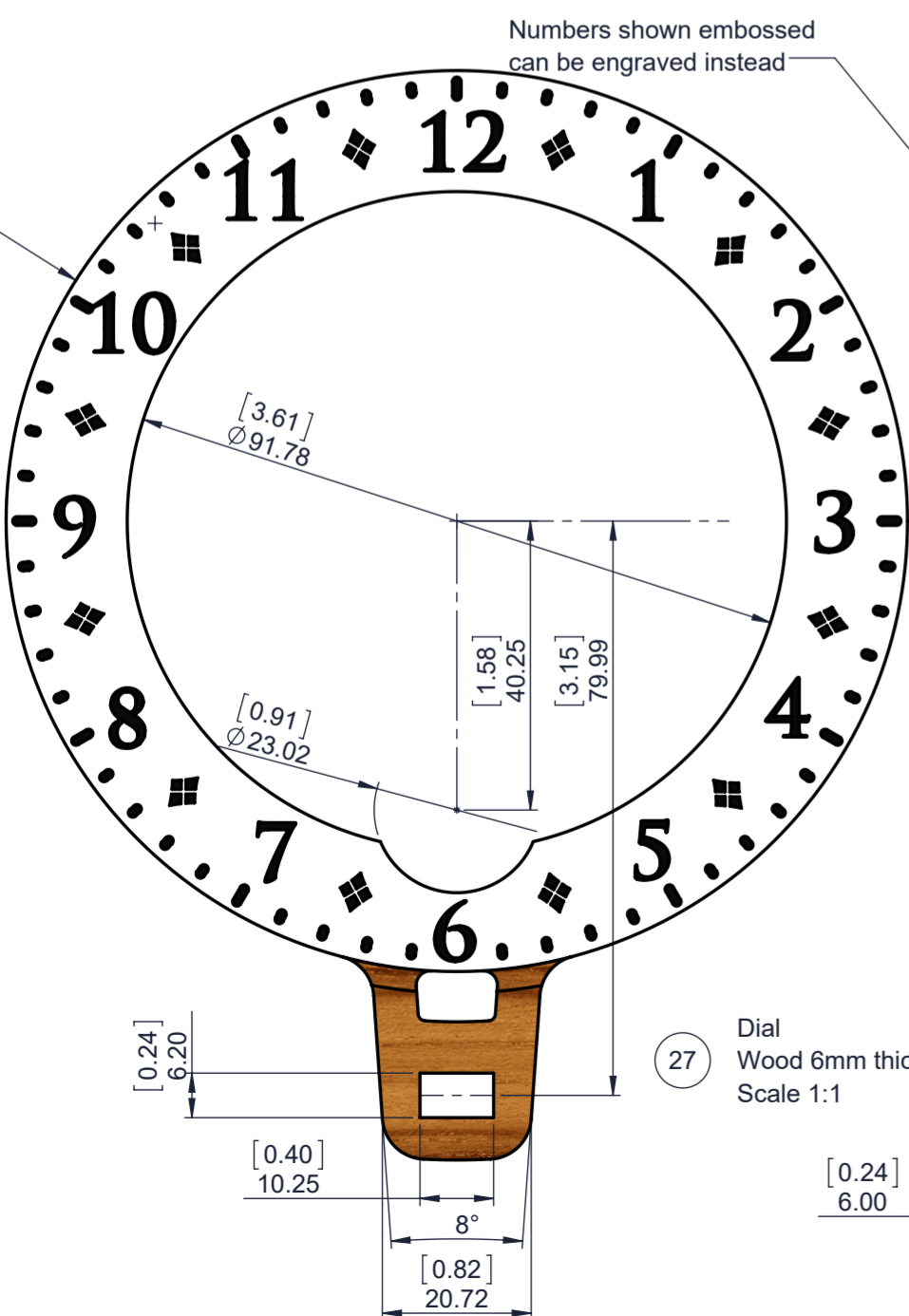
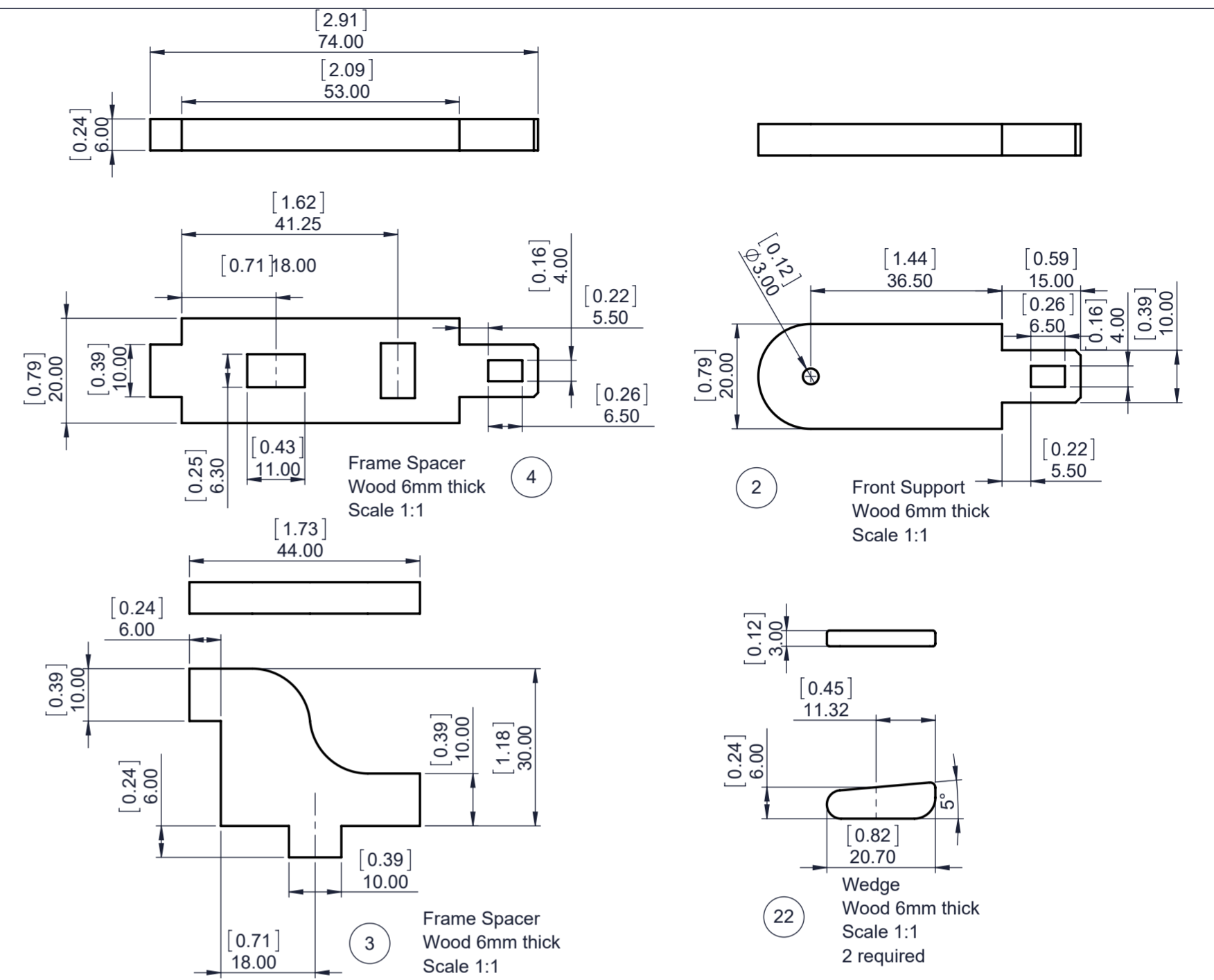
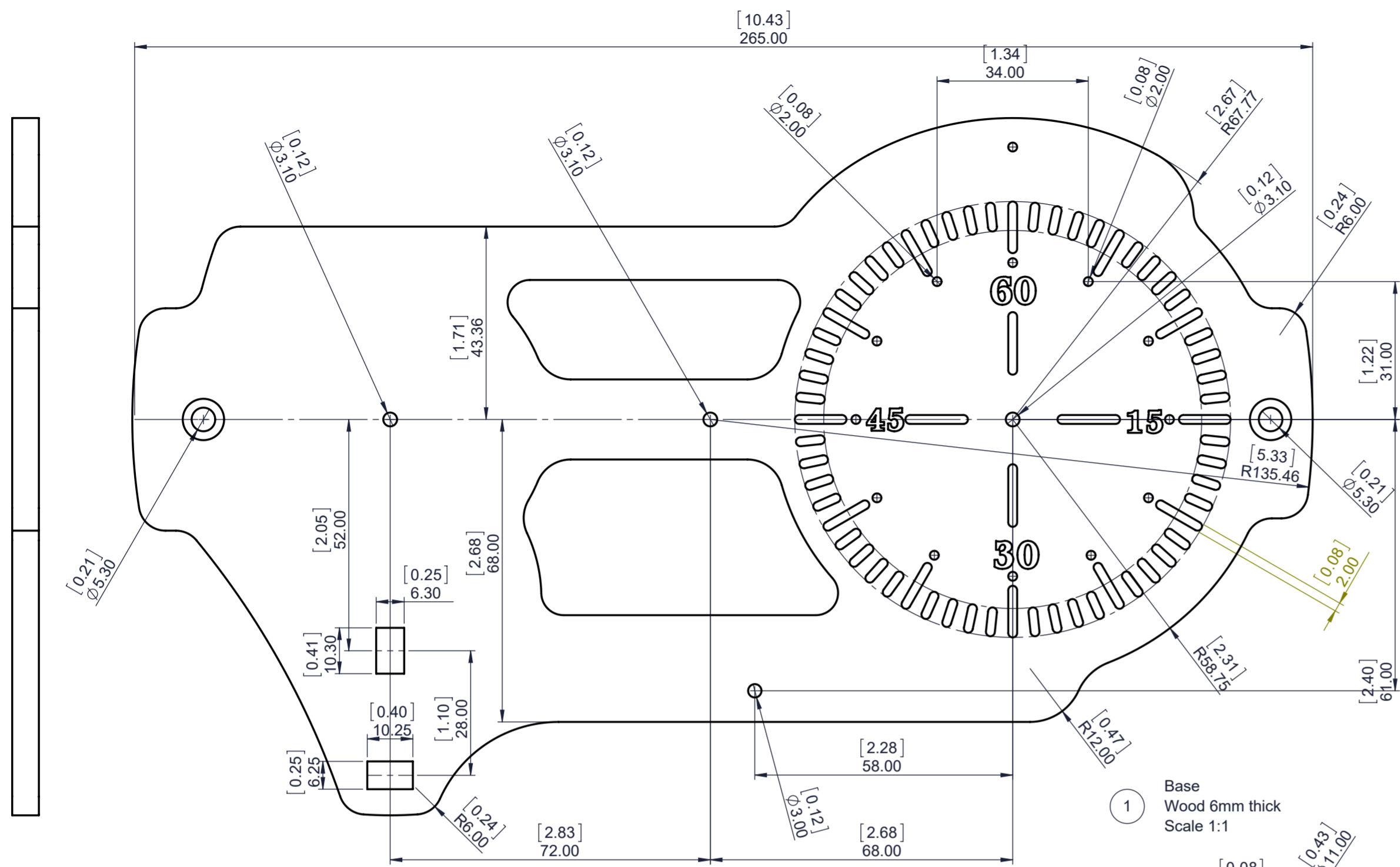
ITEM NO.	PART NUMBER	DESCRIPTION	QTY.
1	Clock-52-Base	Wood 6mm thk	1
2	Clock-52-Front Support	Wood 6mm thk	1
3	Clock-52-Brace	Wood 6mm thk	1
4	Clock-52-Frame-Spacer	Wood 6mm thk	1
5	Clock-52-Gear-spacer-3	Wood 12 mm diameter	1
6	Clock-52-Gear-spacer-18	Wood 12 mm diameter	1
7	Clock-52-Gear-spacer-31	Wood 12 mm diameter	1
8	Clock-52-Gear-64-Teeth	Wood 6mm thk	1
9	Clock-52-Gear-60-Teeth	Wood 6mm thk	1
10	Clock-52-Back-Stop	Wood 6mm thk	1
11	Clock-52-Drive Wheel	Wood 6mm thk	1
12	Clock-52-Drive-Support-no2	Wood 6mm thk	1
13	Clock53-Pendulum-Drive-1	Proprietary Part	1
14	Clock-53-Pendulum-Drive-2	Proprietary Part	1
15	Clock-53-Pendulum-Drive-3	Proprietary Part	1
16	Clock-52-Pendulum-Drive-Connector-Type-2	Wood 28mm thk	1
17	Clock-52-Pendulum-Hook	Wood or Plastic 9 mm diameter	1
18	Clock-52-Pendulum-Rod	Ø6 Carbon Fibre tube	1
19	Clock-52-Pendulum-Weight	Brass Ø19x60 long	1
20	Clock-52-Hour-Gears-30-Teeth	Wood 6mm thk	1
21	Clock-52-Hour-Gears-32-Teeth	Wood 6mm thk	1
22	Clock-52-Dial-Wedge	Wood 3mm thk	2
23	Clock-52-Minute-Hand	Plastic 3mm thk	1
24	Clock-52-Hour-Hand	Plastic 3mm thk	1
25	Clock-52-Drive-Arm	Wood 6mm thk	1
26	Clock-52-Drive-Finger	Wood 6mm thk	1
27	Clock-52-Dial	Wood 6mm thk	1
28	Clock-52-Bearing Sleeve	Wood 12 mm diameter	2
29	Clock-52-Bearing Sleeve-Minute	Wood 12 mm diameter	1
30	Clock-52-Cam	Wood 12 mm thk	1
31	Clock-53-Back-Stop-weight	Steel pin Ø3 mm	1
32	Clock-52-Wall-pacer	Wood 12mm thk	2
33	Clock-52-Shaft-Retainer -3-2	Plastic 2 mm thk	3
34	Screws for Wood-No6-5-8		1
35	Clock-52-Shaft-36mm	Steel pin Ø3 mm	1
36	Clock-52-Shaft-50mm	Steel pin Ø3 mm	1
37	Clock-52-Shaft-83mm	Steel pin Ø3 mm	1
38	Clock-52-THumb Nut	Steel	2
39	M6 Threaded rod1	Steel or Brass Ø20	1
40	Needle-Roller-Bearing-3X65x6mm	HK 0306	6
41	Clock-52-Location-Pin-32mm	Steel Pin Ø3 mm	2
42	Clock-52-Location-Pin-6mm	Steel Pin Ø3 mm	1
43	Clock-52-Lantern-Pin-20mm	Steel Pin Ø3 mm	26
44	Screws for WoodNo10-60mm		2
45	Clock-52-Back-Stop-Pin	Steel Pin Ø2 mm	1
46	Clock-52-Drive Support Pin	Steel Pin Ø2 mm	2
47	Clock-52-Lantern-Pin-12mm	Steel Pin Ø3 mm	9



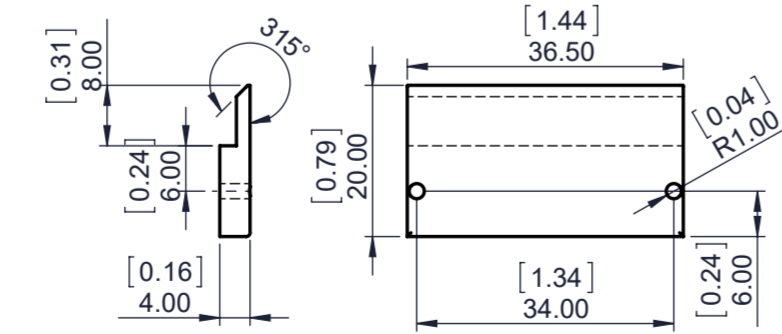
Sht of Shts	A2	Clock 52 - Pendulum Driven Clock	
Not to Scale Unless otherwise stated		All dimensions in mm and (inches) 3rd Angle projection	Designed by: Brian law www.woodenclocks.co.uk
		August 2023	



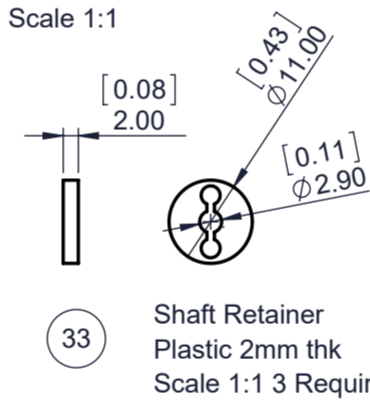
Sht of Shts	A2	Clock 52 - Pendulum Driven Clock	
Not to Scale Unless otherwise stated		All dimensions in mm and (inches) 3rd Angle projection	Designed by: Brian Iaw August 2023 www.woodenclocks.co.uk



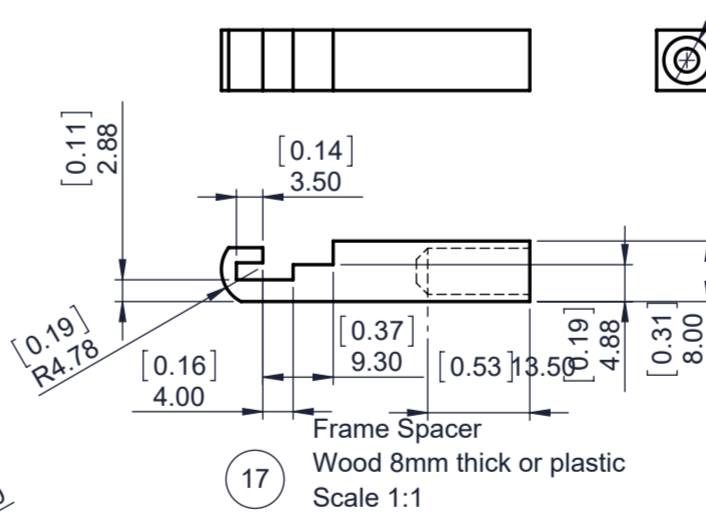
32 Wall Spacer
Wood 10mm thick
Scale 1:1
2 required



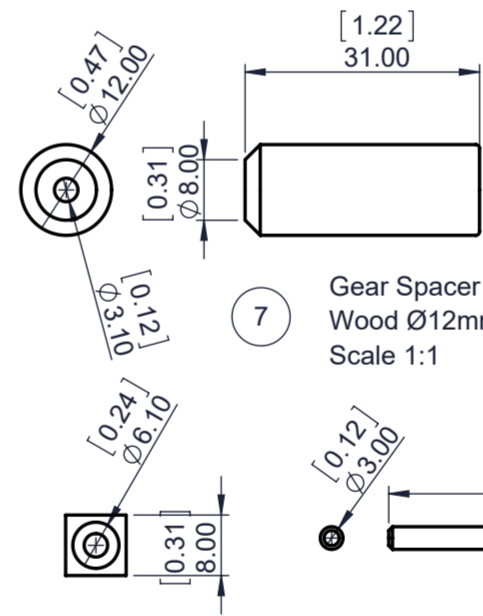
12 Drive Support No 2
Wood 4mm thick
Scale 1:1
2 required



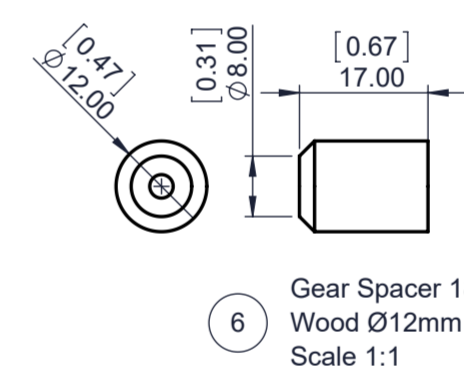
33 Shaft Retainer
Plastic 2mm thk
Scale 1:1 3 Required



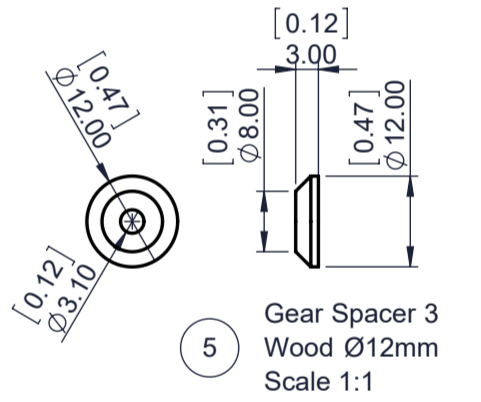
17 Frame Spacer
Wood 8mm thick or plastic
Scale 1:1



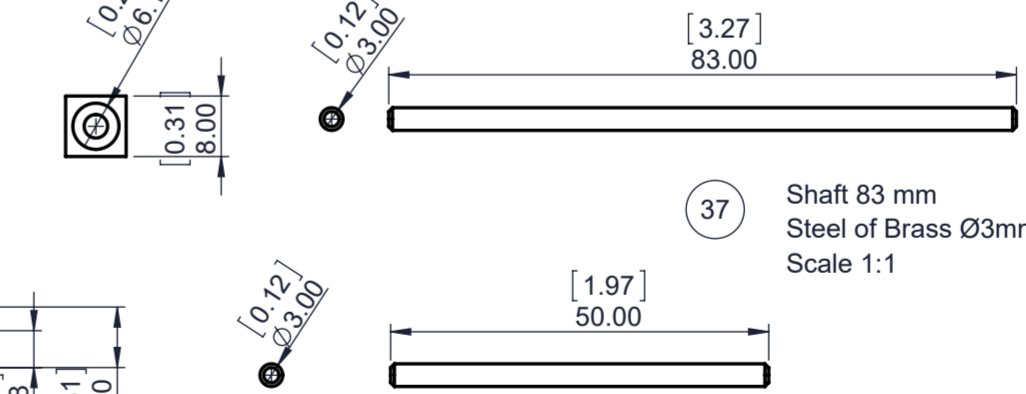
7 Gear Spacer 31
Wood Ø12mm
Scale 1:1



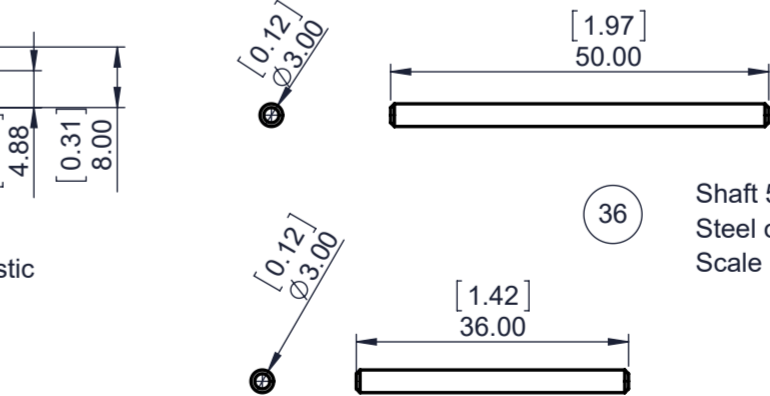
6 Gear Spacer 18
Wood Ø12mm
Scale 1:1



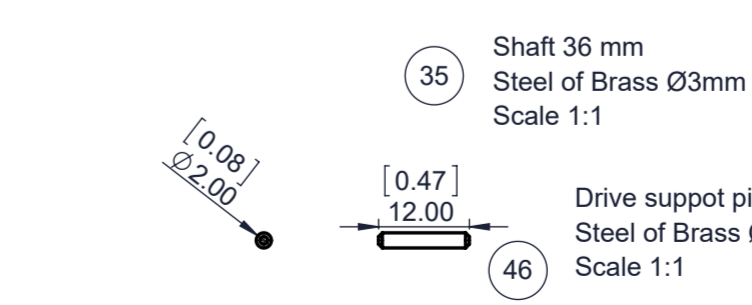
5 Gear Spacer 3
Wood Ø12mm
Scale 1:1



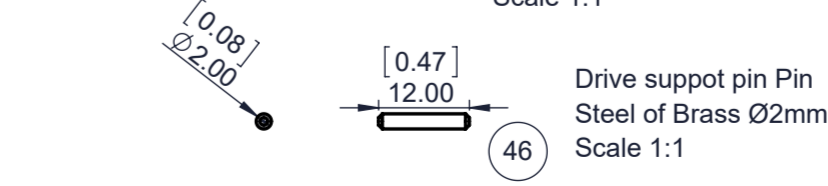
37 Shaft 83 mm
Steel of Brass Ø3mm
Scale 1:1



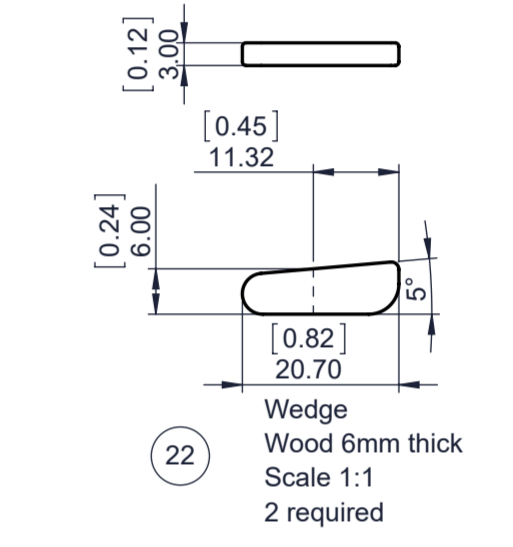
36 Shaft 50 mm
Steel of Brass Ø3mm
Scale 1:1



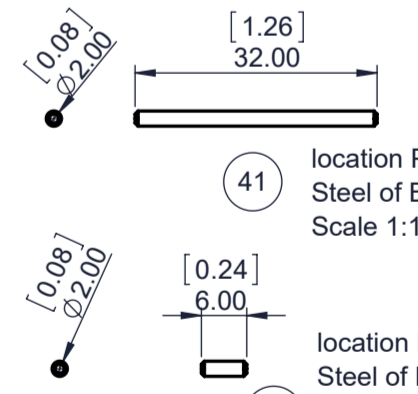
35 Shaft 36 mm
Steel of Brass Ø3mm
Scale 1:1



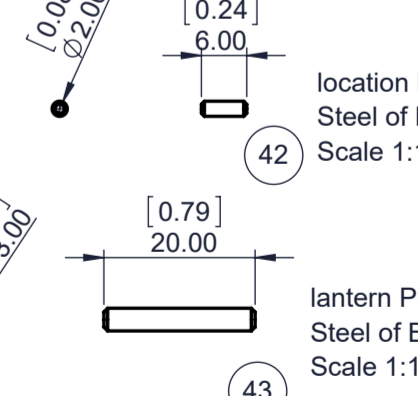
46 Drive support pin
Steel of Brass Ø2mm
Scale 1:1



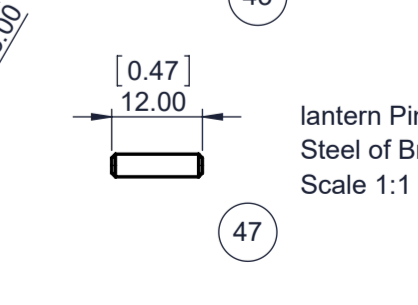
22 Wedge
Wood 6mm thick
Scale 1:1
2 required



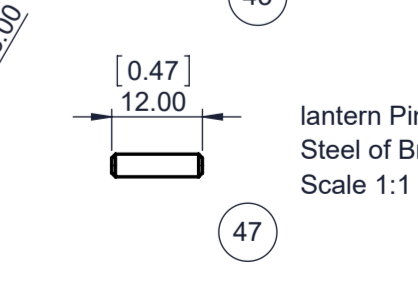
41 Location Pin 32
Steel of Brass Ø2mm
Scale 1:1 2 Required



42 Location Pin 6
Steel of Brass Ø2mm
Scale 1:1



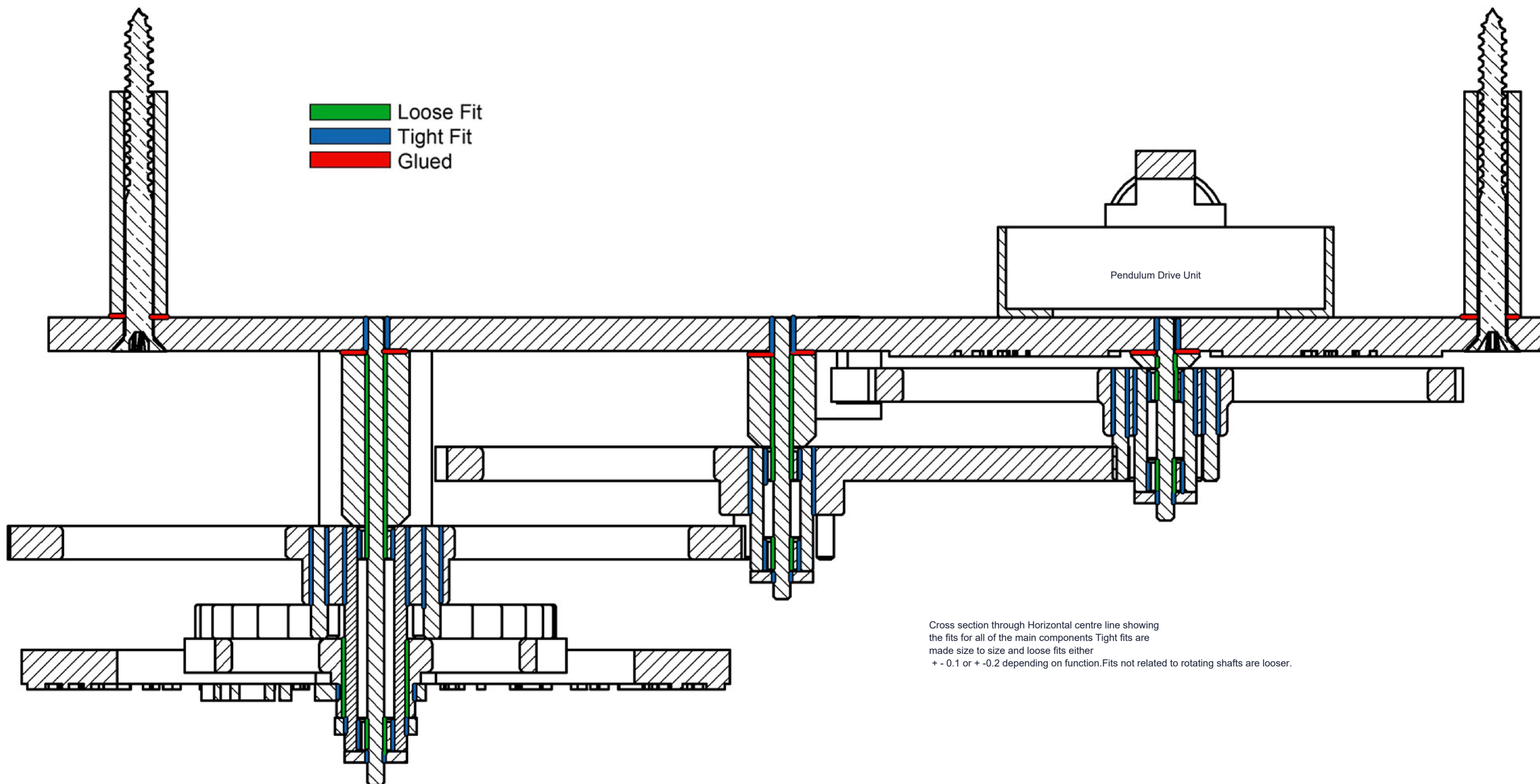
43 Lantern Pin 20
Steel of Brass Ø3mm
Scale 1:1 26 Required



47 Lantern Pin 12
Steel of Brass Ø3mm
Scale 1:1 9 Required

Sht of Shts	A2	Clock 52 - Pendulum Driven Clock
Not to Scale Unless otherwise stated		All dimensions in mm and (inches) 3rd Angle projection
		August 2023 Designed by: Brian law www.woodenclocks.co.uk

Loose Fit
 Tight Fit
 Glued



Cross section through Horizontal centre line showing the fits for all of the main components Tight fits are made size to size and loose fits either ± 0.1 or ± 0.2 depending on function. Fits not related to rotating shafts are looser.

Sht of Shts A2	Clock 52 - Pendulum Driven Clock	
Not to Scale Unless otherwise stated	All dimensions in mm and (inches) 3rd Angle projection	August 2023
		Designed by: Brian law www.woodenclocks.co.uk