

SECTION K-K

Sht 1 of 7 Shts A2

Clock 53 - Pendulum Driven Clock

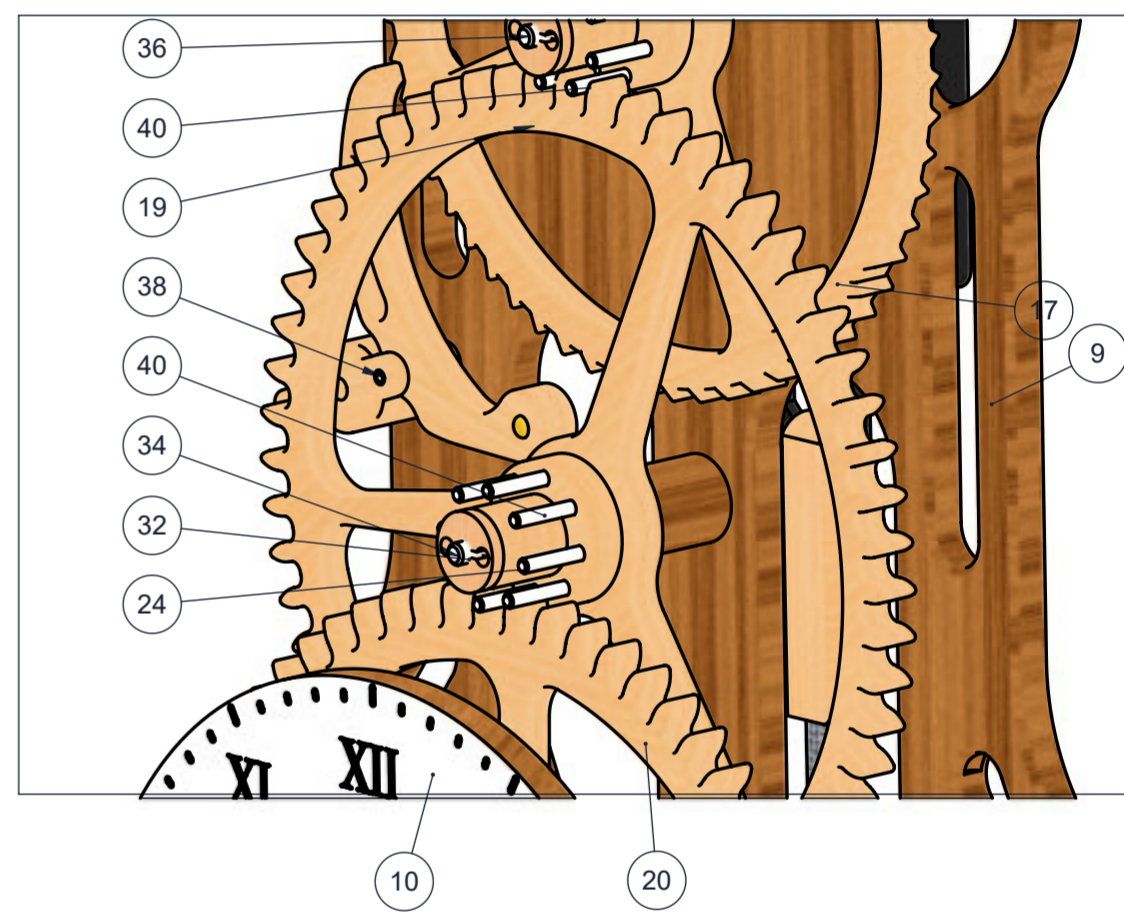
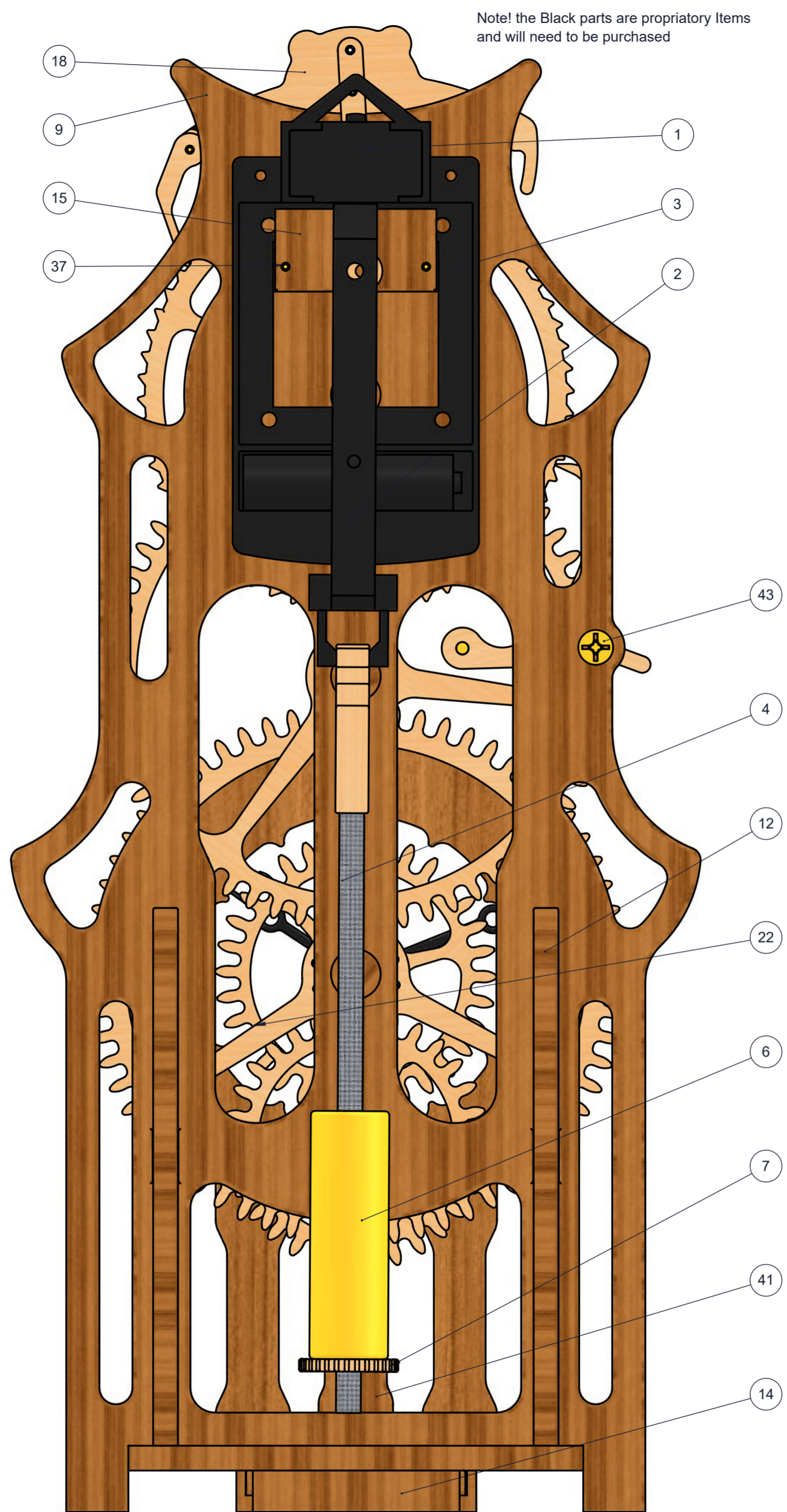
Not to Scale Unless otherwise stated

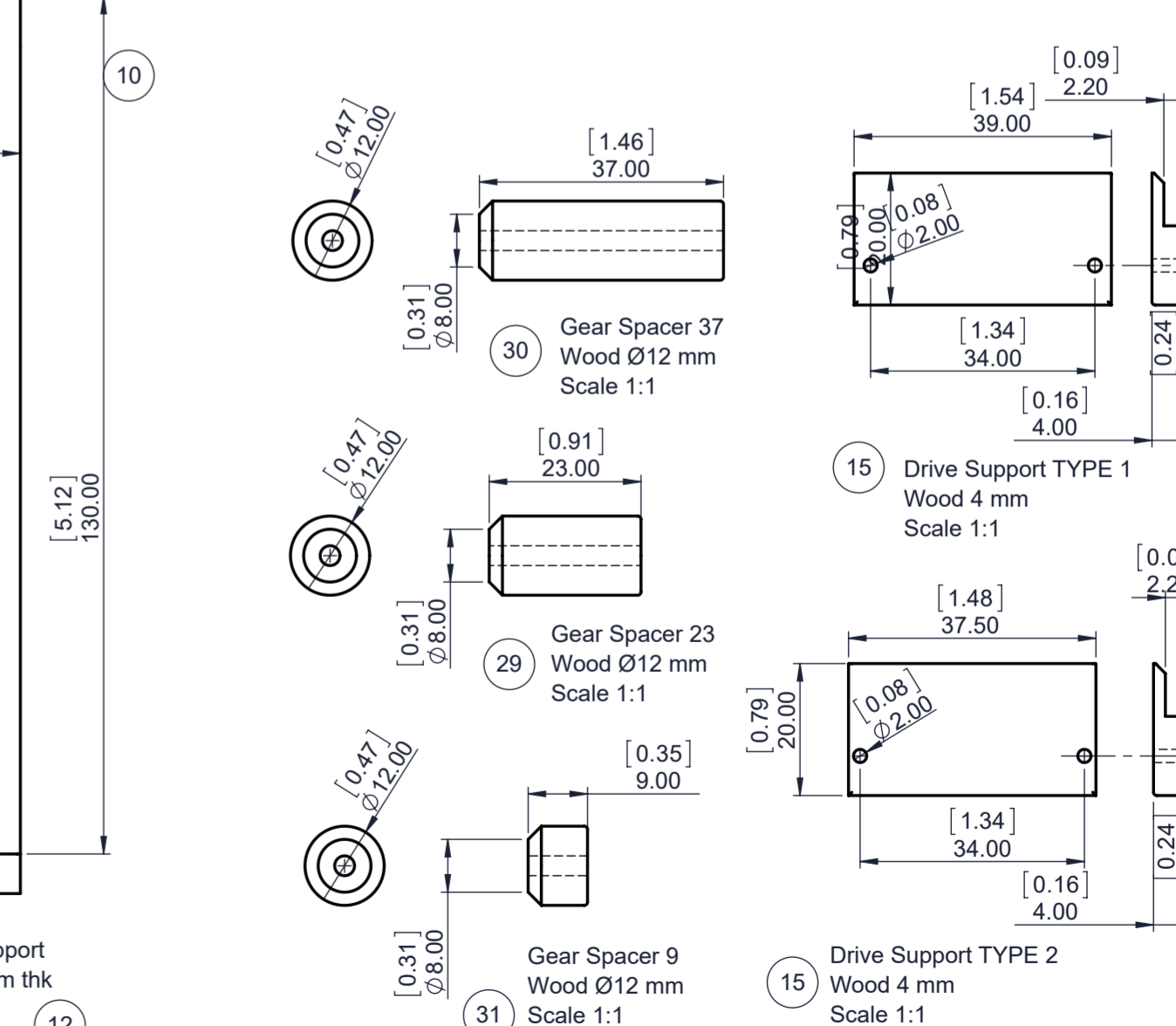
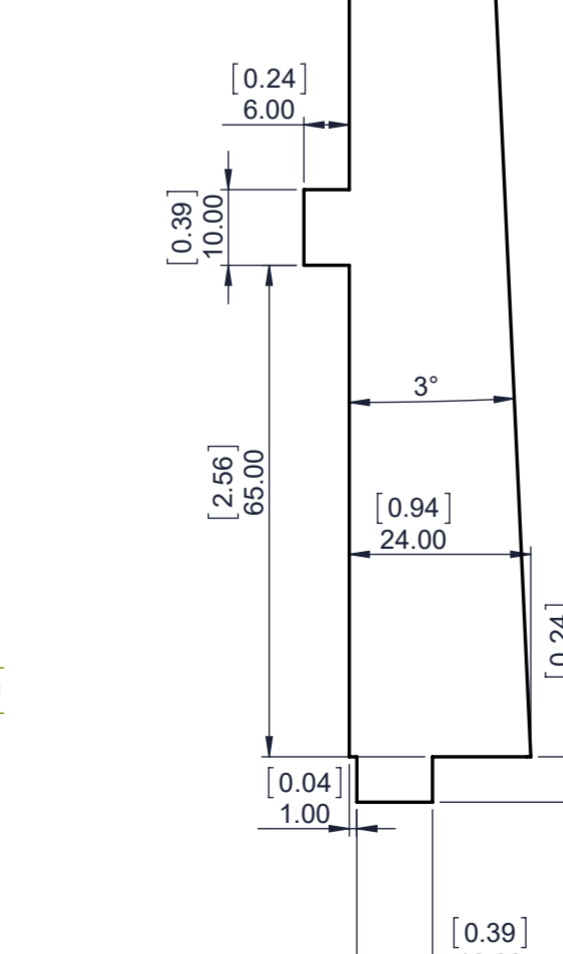
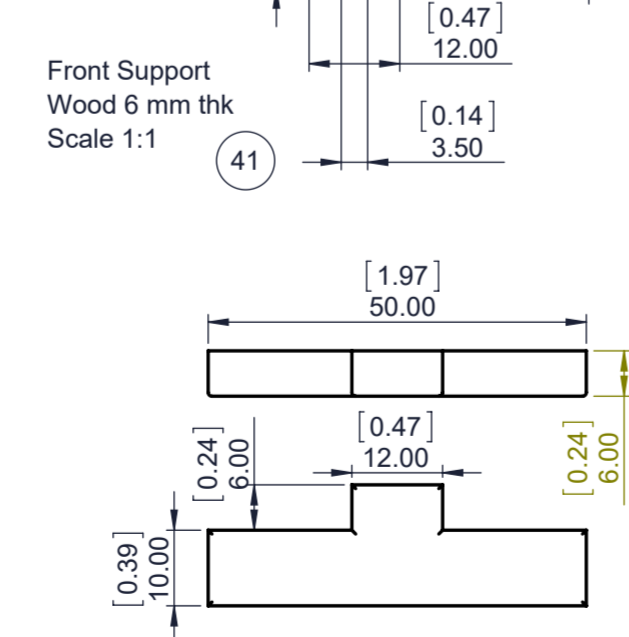
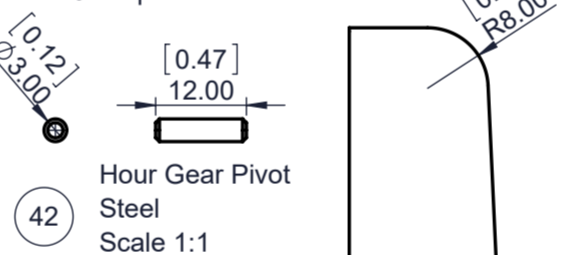
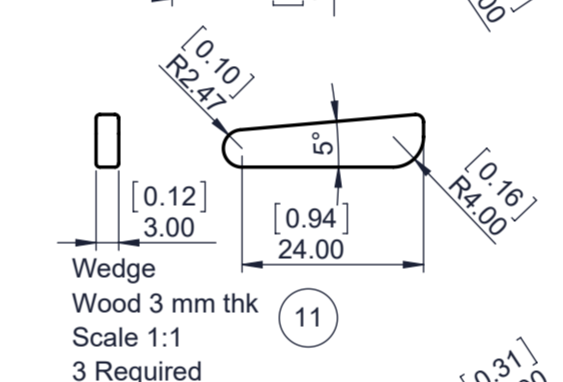
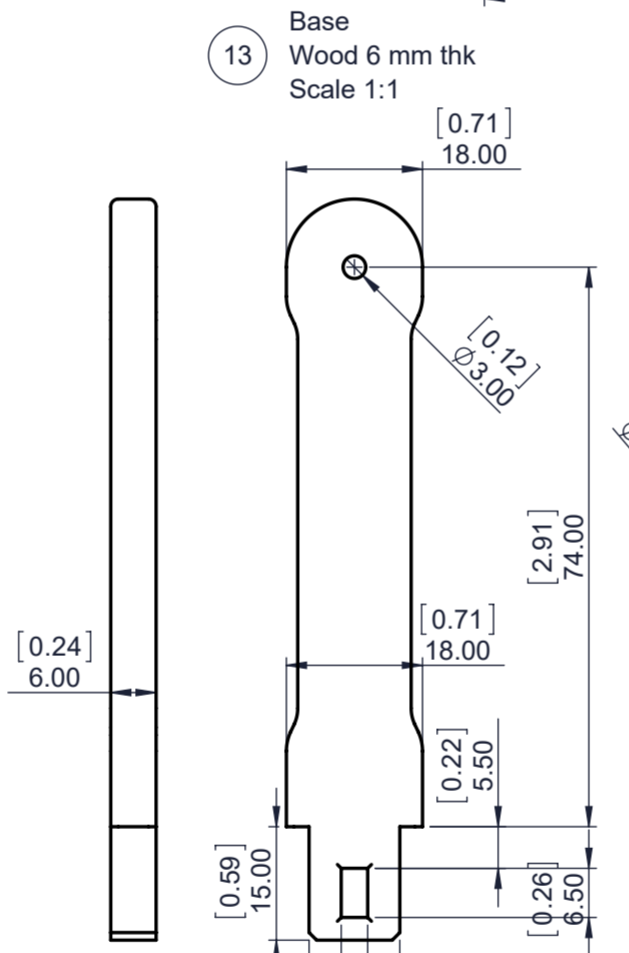
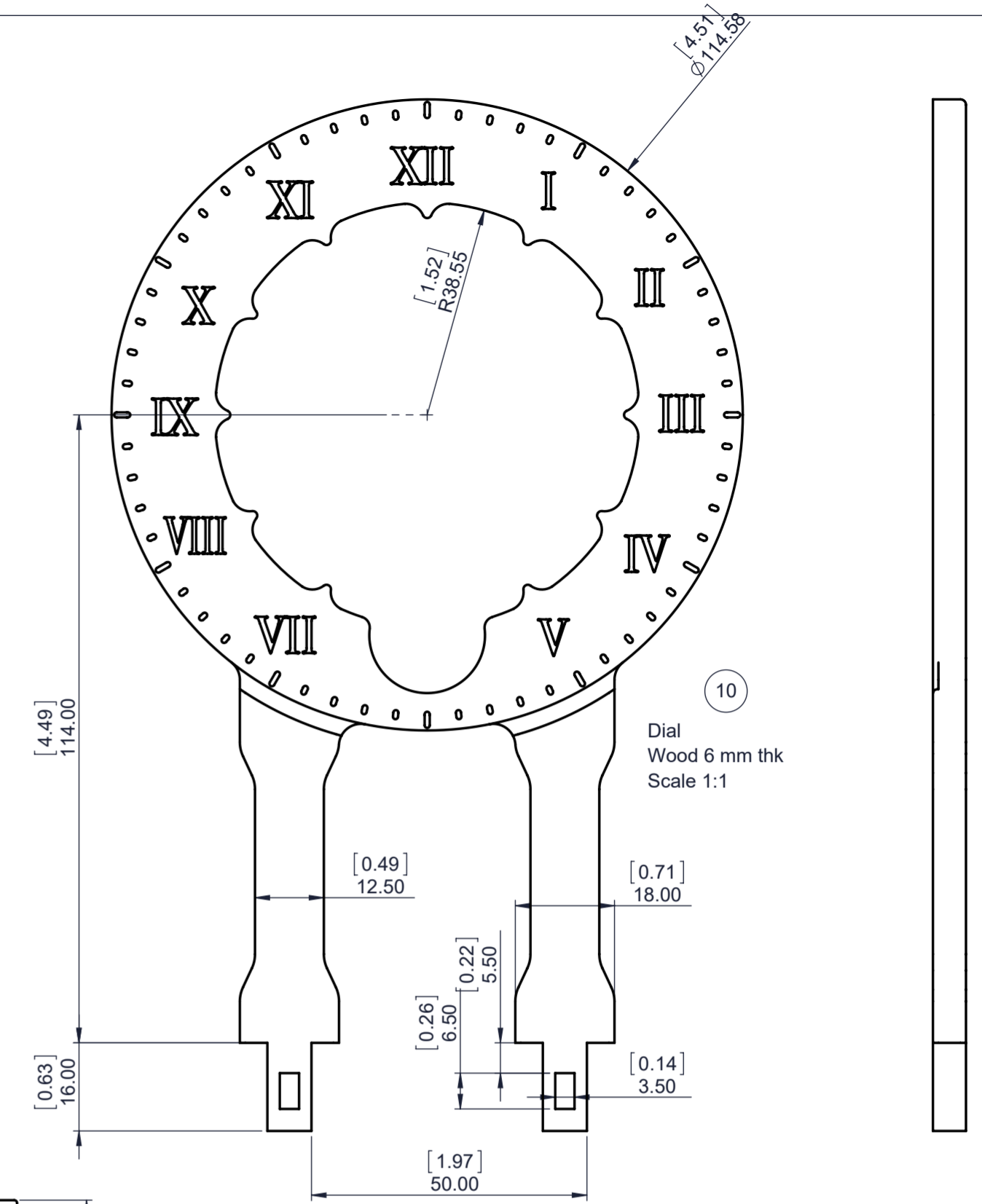
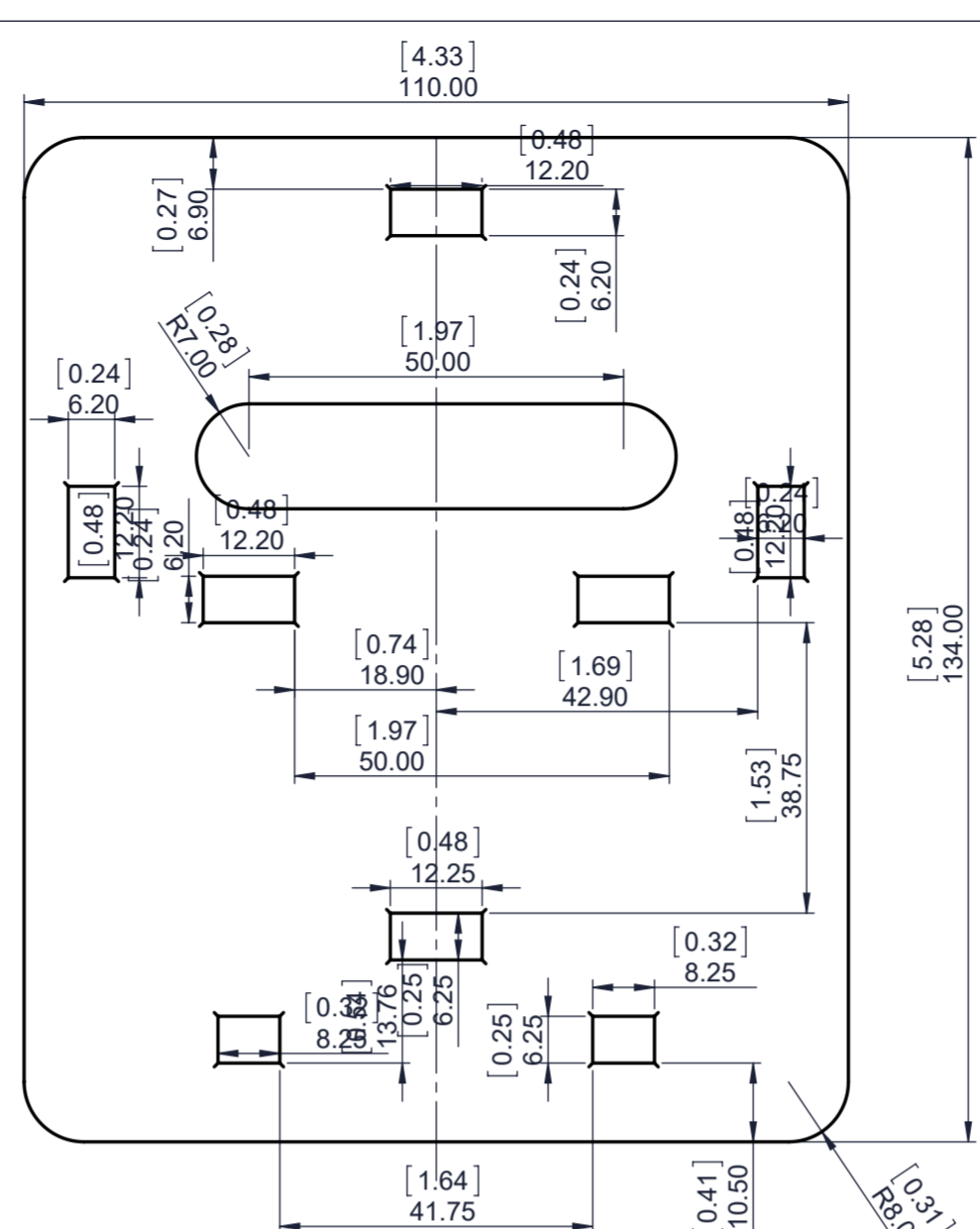
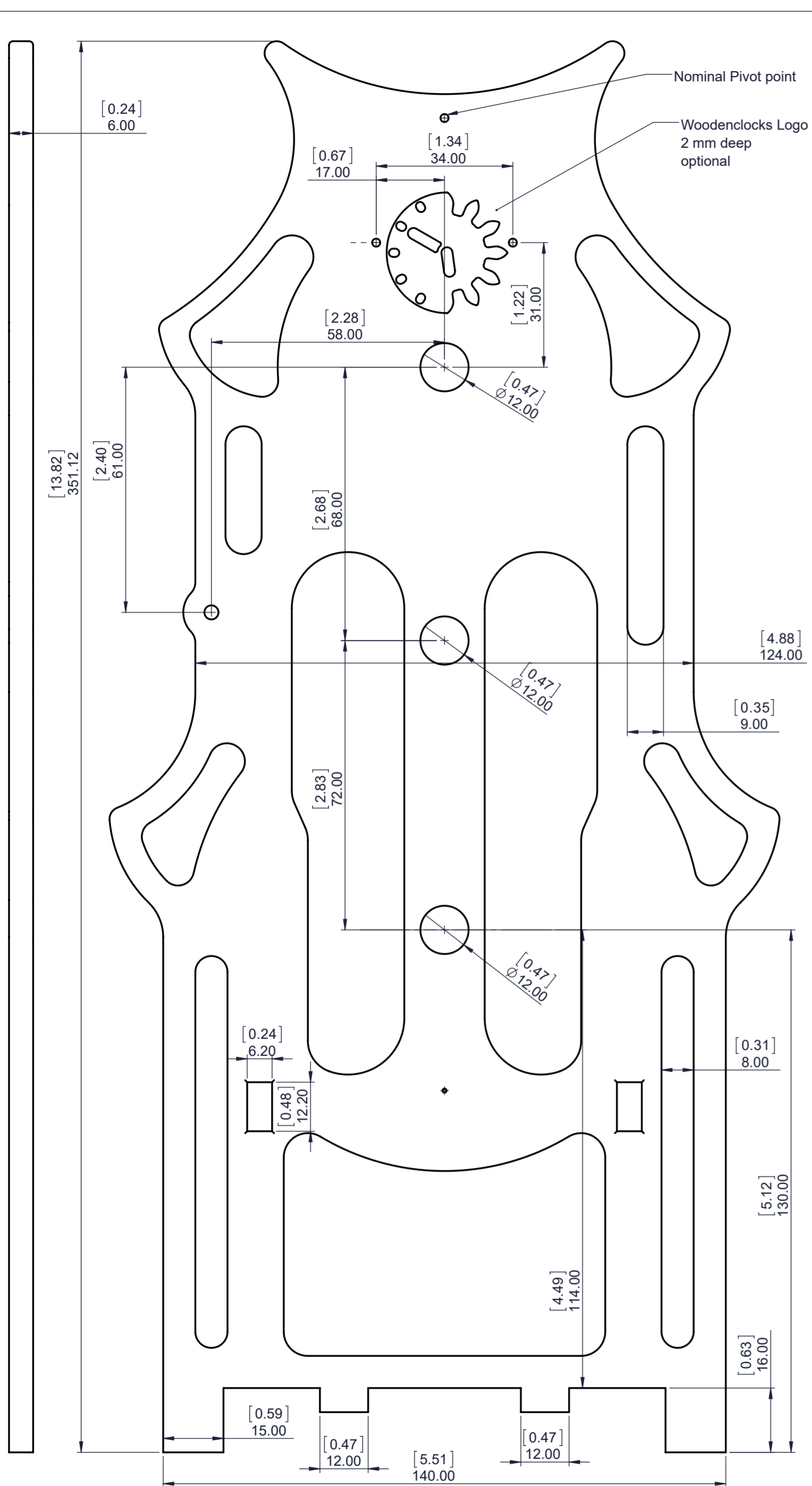
All dimensions in mm and (inches) 3rd Angle projection

June 2023

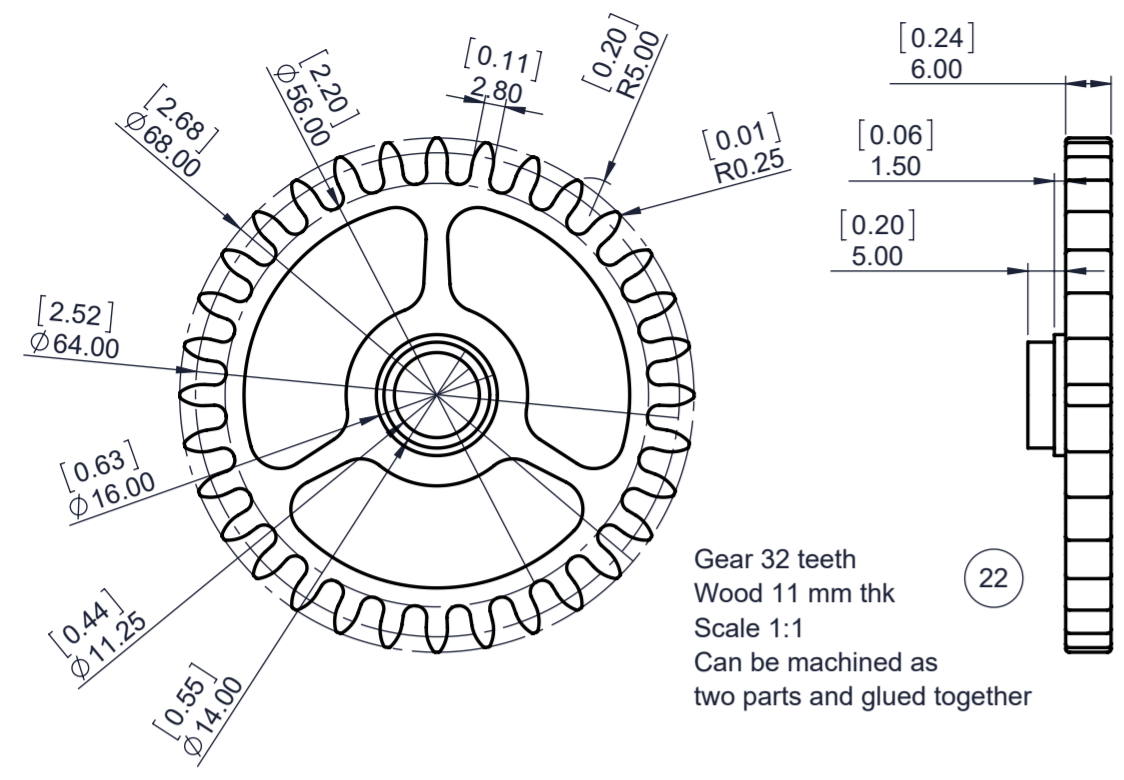
Designed by: Brian law
www.woodenclocks.co.uk

ITEM NO.	PART NUMBER	DESCRIPTION	QTY.
1	Clock-53-Pendulum-Drive-2	Proprietary Part	1
2	Clock-53-Pendulum-Drive-3	Proprietary Part	1
3	Clock53-Pendulum-Drive-1	Proprietary Part	1
4	Clock-53-Pendulum-Rod	Ø3 Steel Pin	1
5	Clock-53-Pendulum-Hook	Wood or Plastic 9 mm diameter	1
6	Clock-53-Pendulum-Weight	Brass Ø12x12 long	1
7	Clock-53-Weight-Support	Plastic 3 mm thk	1
8	Clock-53-Pendulum-Drive-Connector	Wood 28mm thk	1
9	Clock-53-Back-Frame	Wood 6mm thk	1
10	Clock-53-Dial-Roman		1
11	Clock-53-Dial-Wedge	Wood 3mm thk	3
12	Clock-53-Back-Frame-Support	Wood 6mm thk	2
13	Clock-53-Base	Wood 6mm thk	1
14	Clock-53-Back-foot	Wood 6mm thk	1
15	Clock-53-Drive-Support		1
16	Clock-53-Drive-Finger	Wood 6mm thk	1
17	Clock-53-Drive Wheel	Wood 6mm thk	1
18	Clock-53-Drive-Arm	Wood 6mm thk	1
19	Clock-53-Gear-60-Teeth	Wood 6mm thk	1
20	Clock-53-Gear-64-Teeth	Wood 6mm thk	1
21	Clock-53-Hour-Gears-30-Teeth	Wood 6mm thk	1
22	Clock-53-Hour-Gears-32-Teeth	Wood 6mm thk	1
23	Clock-53-Hour-Hand	Plastic 3 mm thk	1
24	Clock-53-Bearing Sleeve	Wood 12 mm diameter	2
25	Clock-53-Bearing Sleeve-Minute	Wood 12 mm diameter	1
26	Clock-53-Cam	Wood 12 mm thk	1
27	Clock-53-Back-Stop	Wood 12 mm thick	1
28	Clock-53-Back-Stop-weight	Steel pin 3 mm diameter	1
29	Clock-53-Gear-spacer-23	Wood 12 mm diameter	1
30	Clock-53-Gear-spacer-37	Wood 12 mm diameter	1
31	Clock-53-Gear-spacer-9	Wood 12 mm diameter	1
32	Clock-53-Shaft-Retainer -3-2	Plastic 2 mm thk	3
33	Clock-53-Location-Pin-82	Steel Pin Ø3 mm	1
34	Clock-53-Location-Pin-50	Steel Pin Ø3 mm	1
35	Clock-53-Location-Pin-32	Steel Pin Ø3 mm	2
36	Clock-53-Location-Pin-36	Steel Pin Ø3 mm	1
37	Clock-53-Location-Pin-12	Steel Pin Ø3 mm	2
38	Clock-53-Location-Pin-9	Steel Pin Ø3 mm	1
39	Needle-Roller-Bearing-3X6.5X6	HK 0306	6
40	Clock-53-Lantern-pin	Steel Pin Ø2 mm	26
41	Clock-53-Front-Support	Wood 6 mm thk	1
42	Clock-51-Hour Gears Pivot	Steel Dowel Ø3mm x 18mm	1
43	Woodscrew-No8x12mm		1
44	Clock-53-Minute-Hand		1
45	Clock-53-Location-Pin-6	Steel Pin Ø3 mm	1
46	Clock-53-Lantern-Pin-14-2	Steel Pin Ø2 mm	8

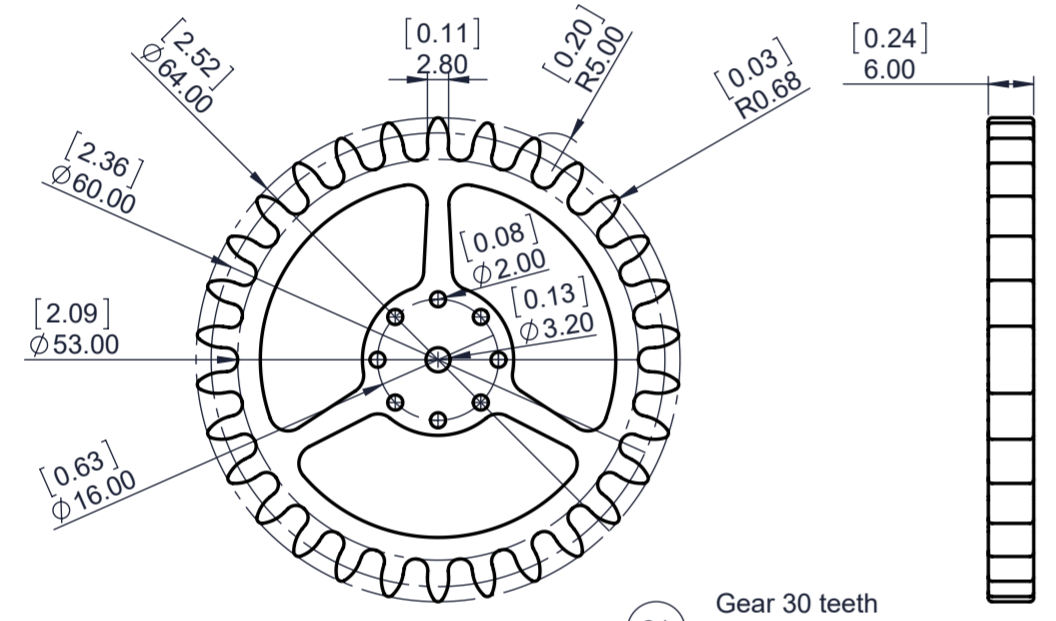




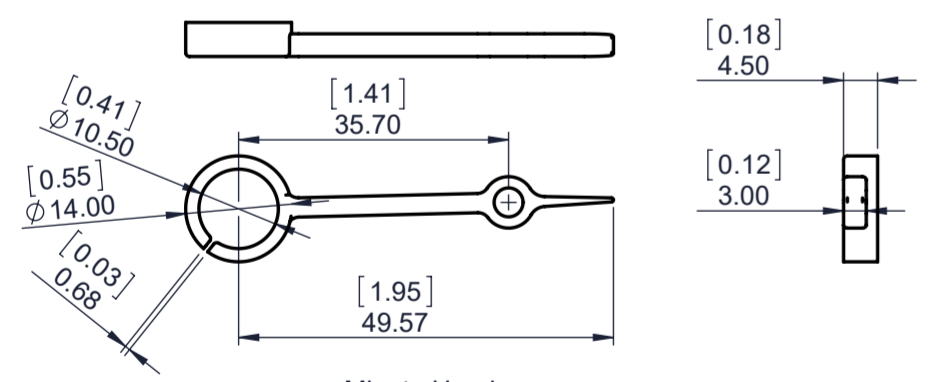
Sht 3 of 7 Shts	A2	Clock 53 - Pendulum Driven Clock
Not to Scale Unless otherwise stated	All dimensions in mm and (inches) 3rd Angle projection	Designed by: Brian law www.woodenclocks.co.uk
		June 2023



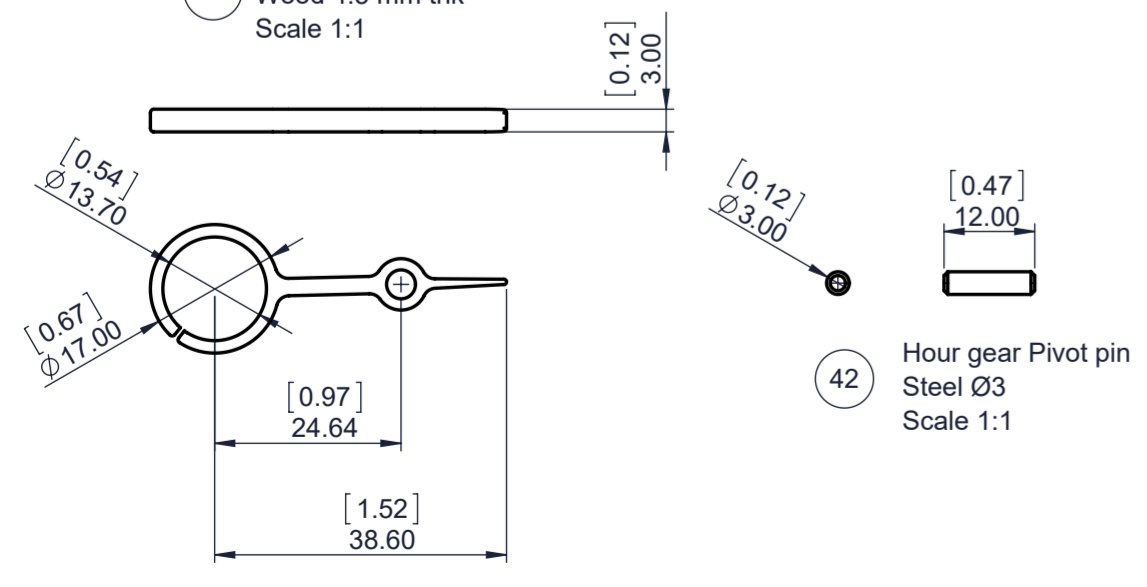
22 Gear 32 teeth
Wood 11 mm thk
Scale 1:1
Can be machined as
two parts and glued together



21 Gear 30 teeth
Wood Ø6 mm thk
Scale 1:1

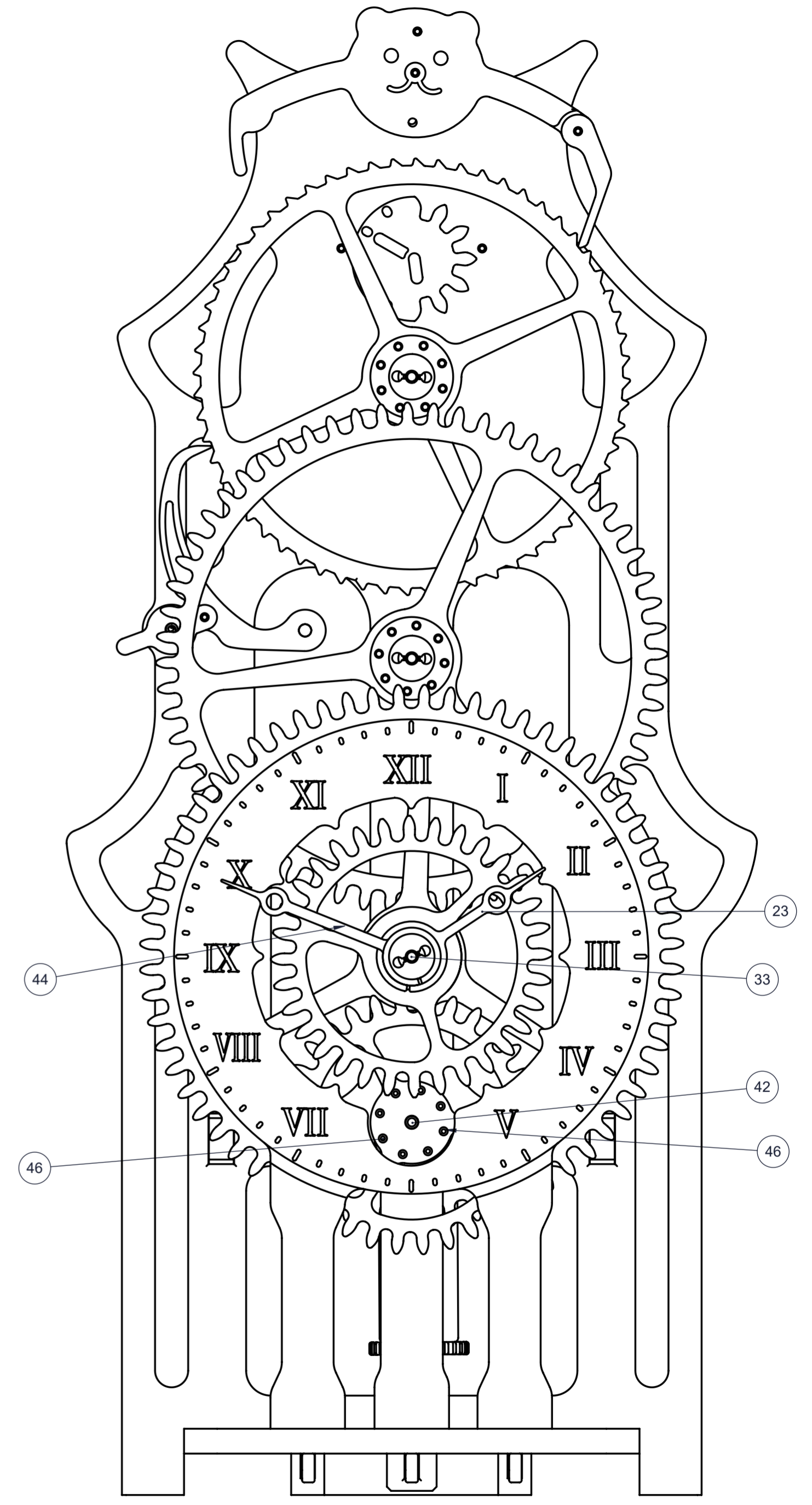


44 Minute Hand
Wood 4.5 mm thk
Scale 1:1



23 Hour Hand
Wood 3 mm thk
Scale 1:1

42 Hour gear Pivot pin
Steel Ø3
Scale 1:1



Sht 6 of 7 Shts	A2	Clock 53 - Pendulum Driven Clock	
Not to Scale Unless otherwise stated		All dimensions in mm and (inches) 3rd Angle projection	Designed by: Brian law www.woodenclocks.co.uk
		June 2023	

