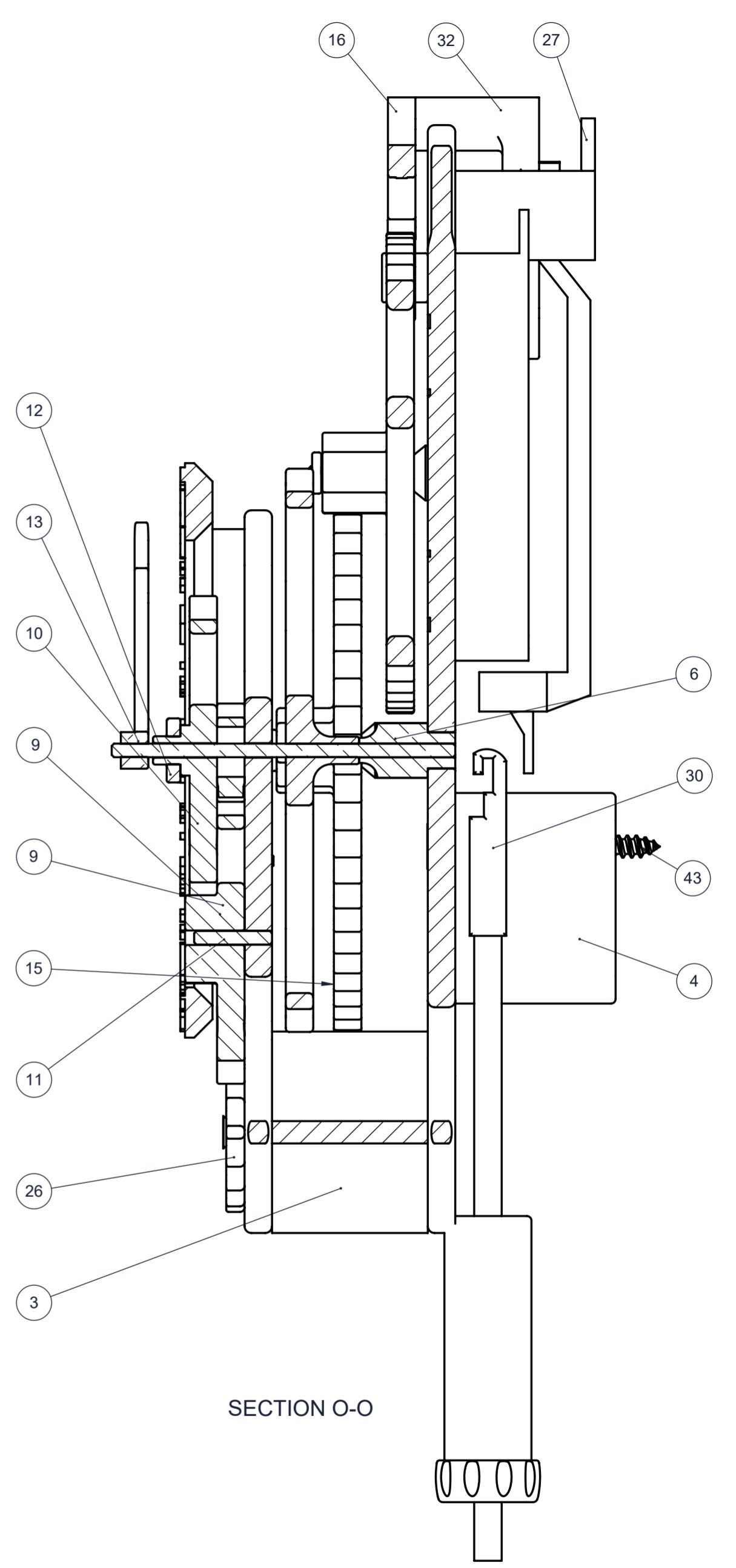


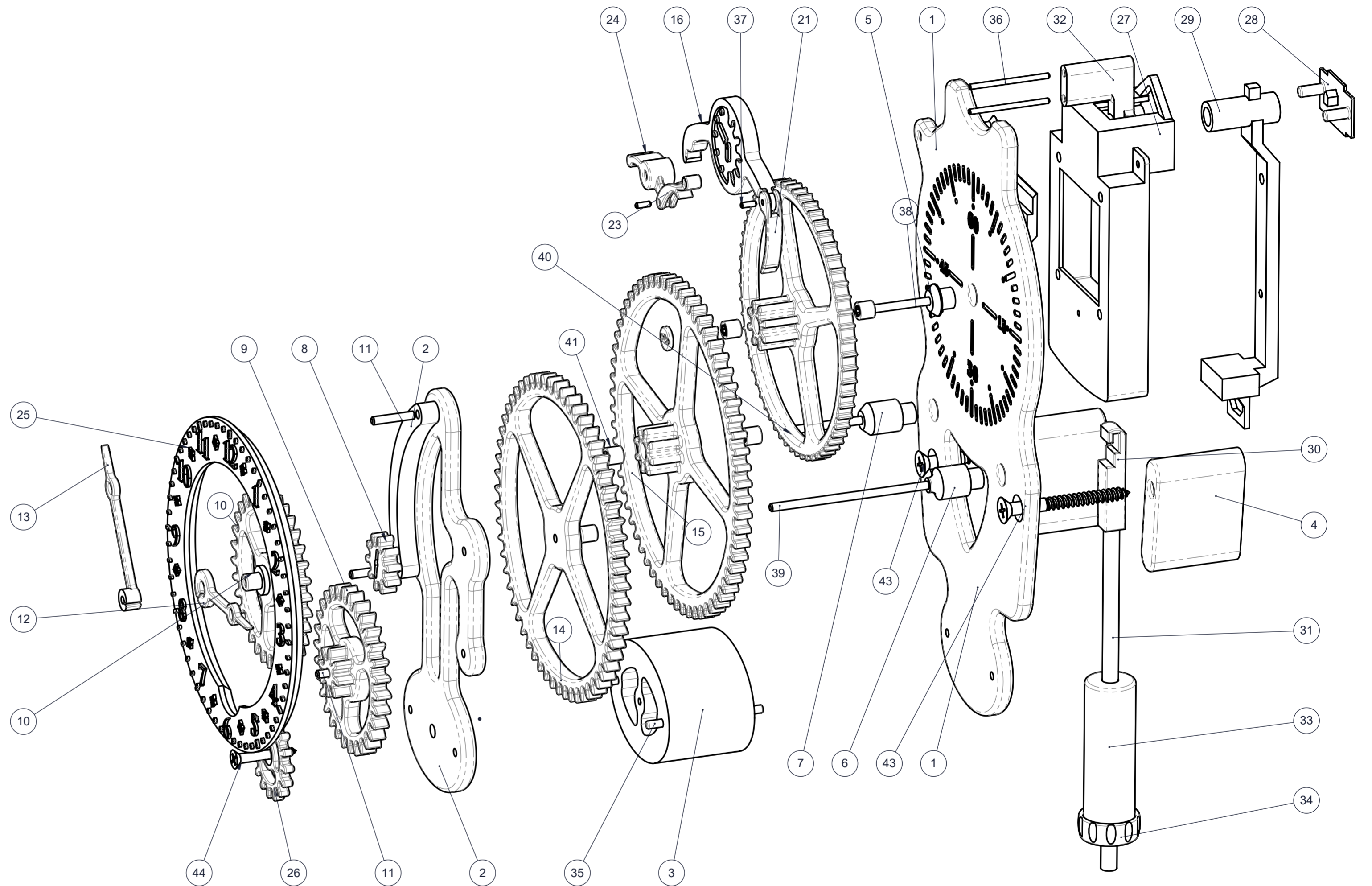
SECTION N-N

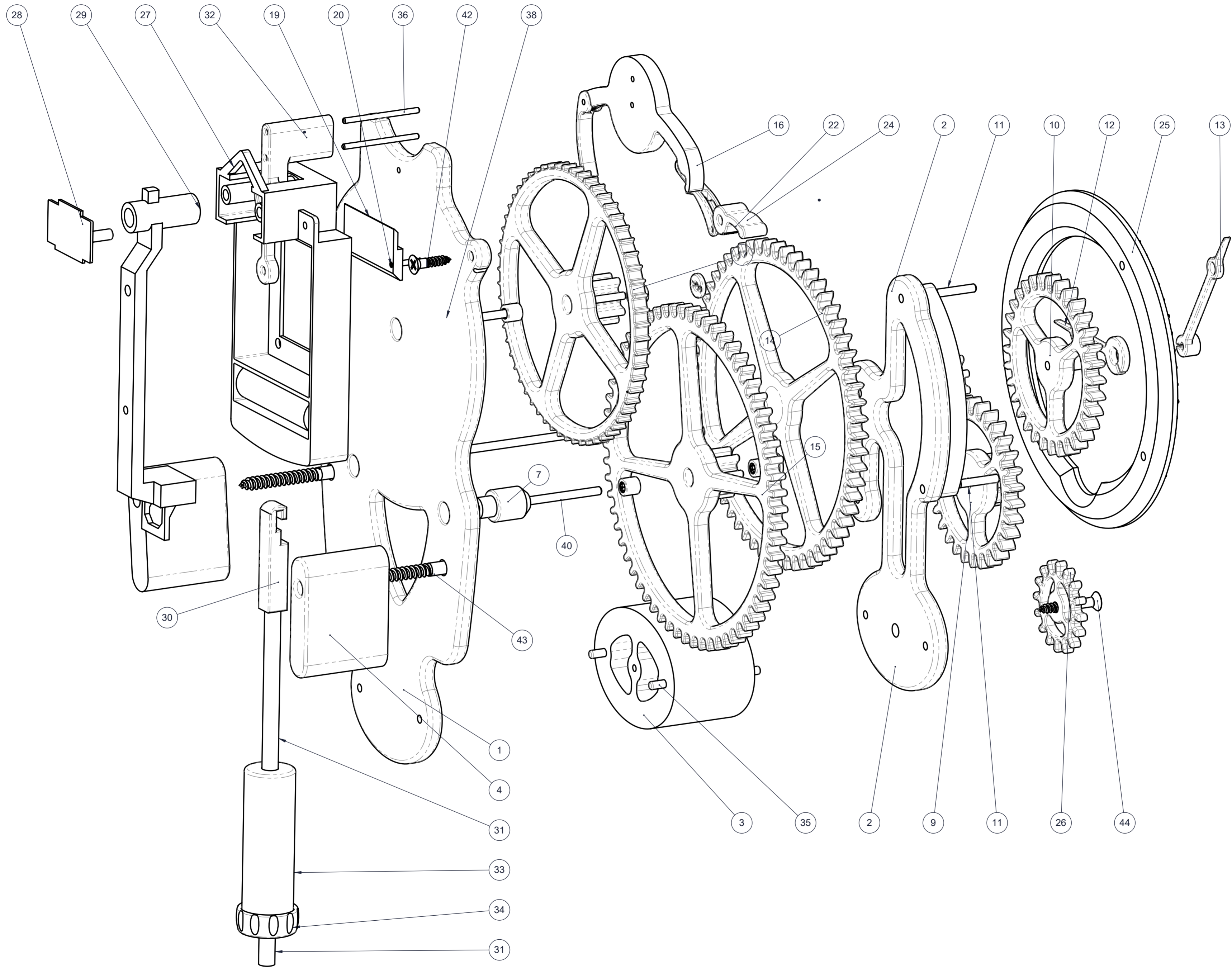


SECTION O-O

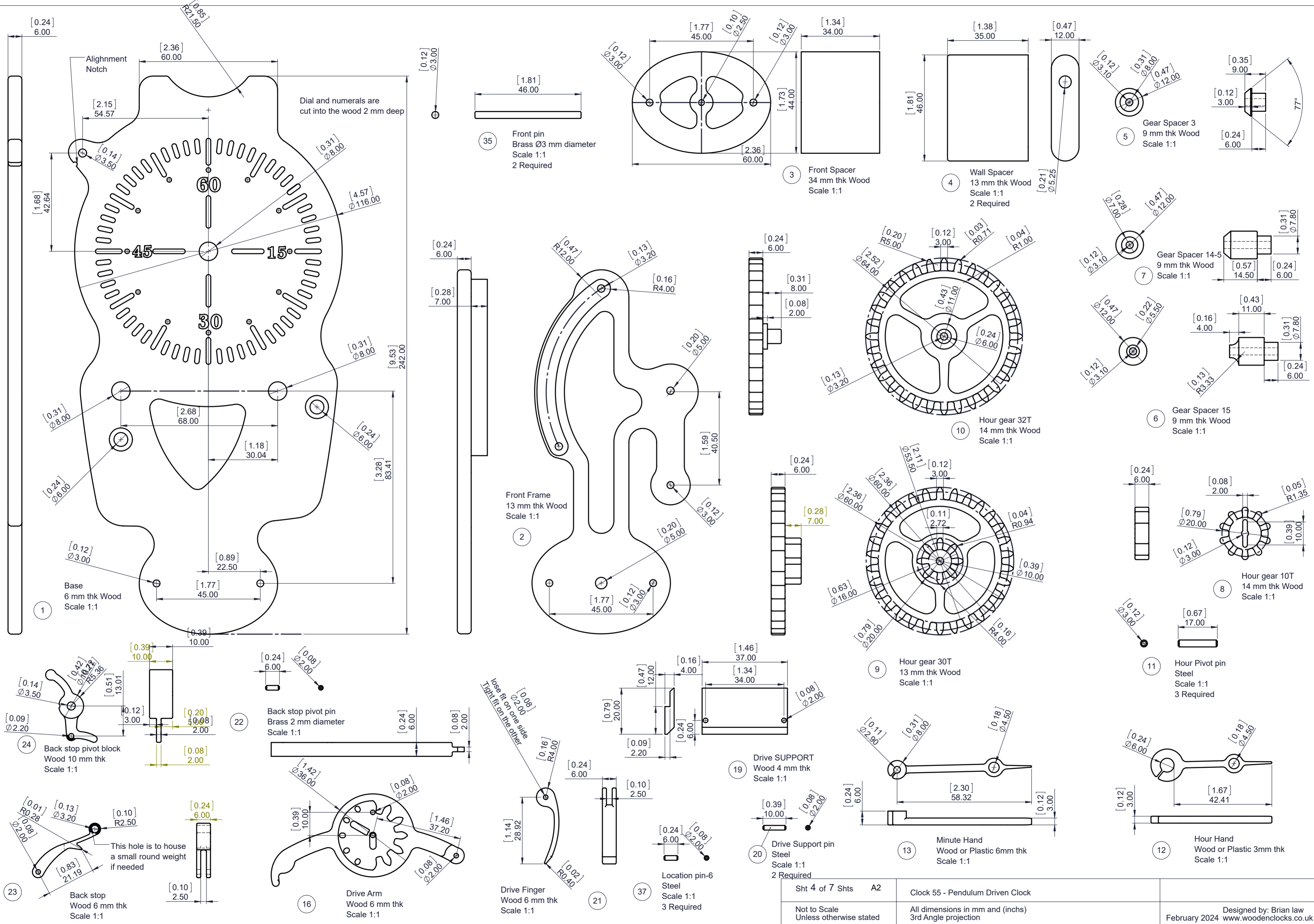
Sht 1of 7 Shts	A2	Clock 55 - Pendulum Driven Clock	
Not to Scale Unless otherwise stated		All dimensions in mm and (inches) 3rd Angle projection	Designed by: Brian Iaw February 2024 www.woodenclocks.co.uk

ITEM NO.	PART NUMBER	DESCRIPTION	QTY.
1	Clock-55-Base	Wood 6mm thk	1
2	Clock-55-Front Framee	Wood 6mm thk	1
3	Clock-55-Front spacer1	Wood 24mm thk	1
4	Clock-55-Wall-spacer	Wood 35mm thk	2
5	Clock-55-Gear-spacer-3	Wood Ø12 mm	1
6	Clock-55-Gear-spacer-15	Wood Ø12 mm	1
7	Clock-55-Gear-spacer-14-5	Wood Ø12 mm	1
8	Clock-55-Hour-Gears-10-Teeth	Wood 6mm thk	1
9	Clock-55-Hour-Gears-30-Teeth	Wood 6mm thk	1
10	Clock-55-Hour-Gears-32-Teeth	Wood 6mm thk	1
11	Clock-55-Hour-Pivot	Steel Ø3 mm	3
12	Clock-55-Hour-Hand	Plastic 6 mm thk	1
13	Clock-55-Minute-Hand	Plastic 3 mm thk	1
14	Clock-55-Gear-60-Teeth	Wood 6mm thk	1
15	Clock-55-Gear-64-Teeth	Wood 6mm thk	1
16	Clock-55-Drive-Arm	Wood 6mm thk	1
17	Clock-55-Drive-Wheel-v7	Wood 6mm thk	1
18	Clock-55-Shaft-Retainer -3-2	Plastic 2 mm thk	2
19	Clock-55-Drive-Support-no2	Wood 4mm thk	1
20	Clock-55-Drive Support Pin	Steel Pin Ø2 x10mm	2
21	Clock-55-Drive-Finger	Wood 6mm thk	1
22	Clock-55-Back-Stop-Pivot-pin	Steel Pin Ø2 mm	1
23	Clock-55-Back-Stop	Wood 6mm thk	1
24	Clock-55-Back-Stop-Pivot	Steel Pin Ø2 mm	1
25	Clock-55-Dial		1
26	Clock-55-Front gear	Wood 6mm thk	1
27	Clock-55--Pendulum-Drive-1	Proprietary Part	1
28	Clock-55-Pendulum-Drive-2	Proprietary Part	1
29	Clock-55-Pendulum-Drive-3	Proprietary Part	1
30	Clock-55-Pendulum-Hook	Wood 8 mm diameter	1
31	Clock-55-Pendulum-Rod	Ø6 Carbon Fibre tube	1
32	Clock-55-Pendulum-Drive-Connector-Type-2	Wood 27mm thk	1
33	Clock-55-Pendulum-Weight	Brass Ø19x60 long	1
34	Clock-55-Pendulum-adjuster	Wood Ø24 mm	1
35	Clock-55-Front Pin	Steel Pin Ø3 mm x 46	2
36	Clock-52-Location-Pin-32mm	Steel Pin Ø3 mm	2
37	Clock-52-Location-Pin-6mm	Steel Pin Ø3 mm	1
38	Clock-55-Shaft-32mm	Steel pin Ø3 mm	1
39	Clock-55-Shaft-75-mm	Steel pin Ø3 mm	1
40	Clock-55-Shaft-45mm	Steel pin Ø3 mm	1
41	Needle-Roller-Bearing-3X65x6mm	HK 0306	4
42	Screws for Wood-No6-16 mm		1
43	Screws for WoodNo10-60 mm		2
44	Screws for Wood-No6-16 mm		1

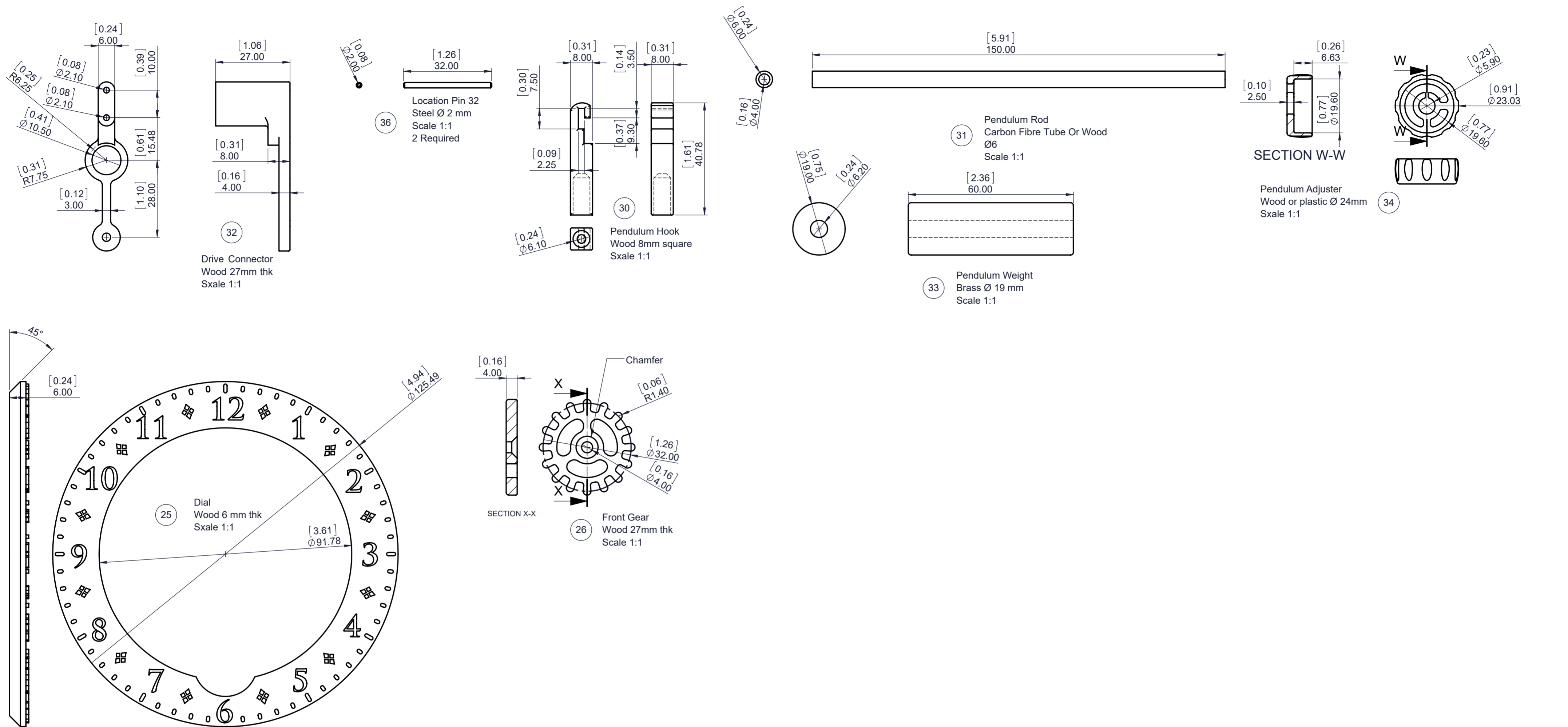




Sht 3 of 7 Shts	A2	Clock 55 - Pendulum Driven Clock	
Not to Scale Unless otherwise stated		All dimensions in mm and (inches) 3rd Angle projection	Designed by: Brian law February 2024 www.woodenclocks.co.uk

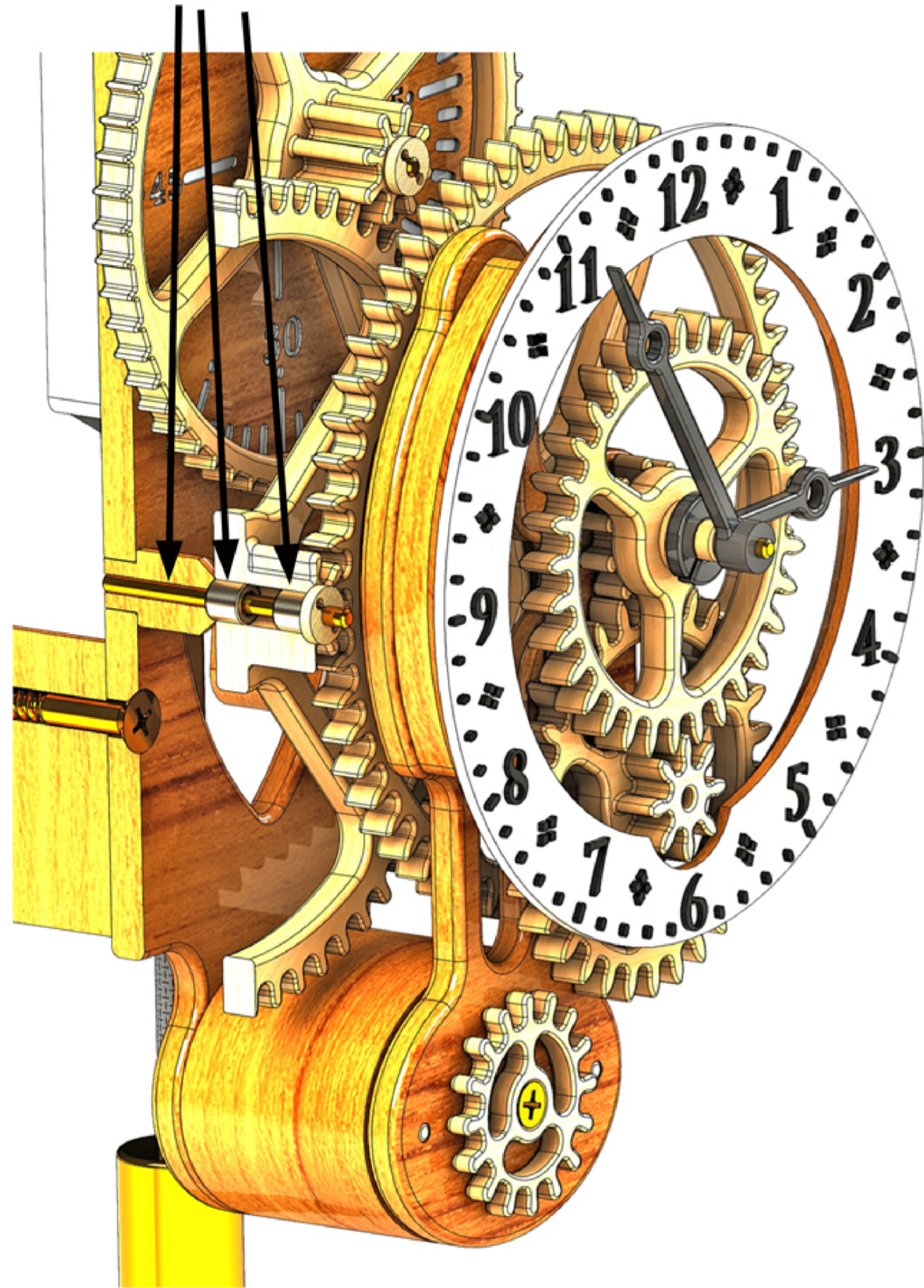


Sht 4 of 7 Shts	A2	Clock 55 - Pendulum Driven Clock
Not to Scale Unless otherwise stated		All dimensions in mm and (inches) 3rd Angle projection
		Designed by: Brian law February 2024 www.woodenclocks.co.uk



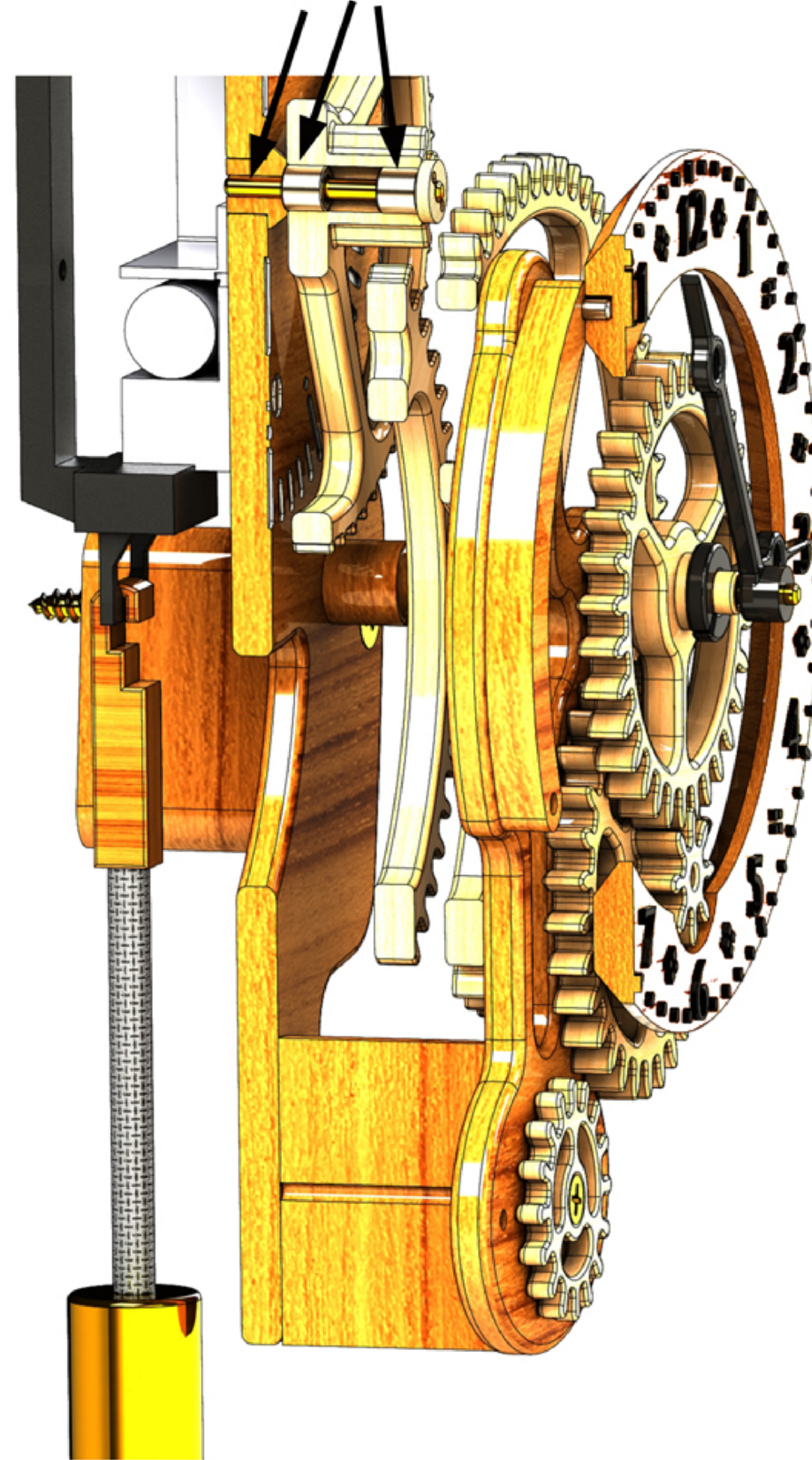
Sht 6 of 7 Shts	A2	Clock 55 - Pendulum Driven Clock	
Not to Scale Unless otherwise stated		All dimensions in mm and (inches) 3rd Angle projection	Designed by: Brian Iaw February 2024 www.woodenclocks.co.uk

Tight Fit
in Bore



Section Through
intermediate gear

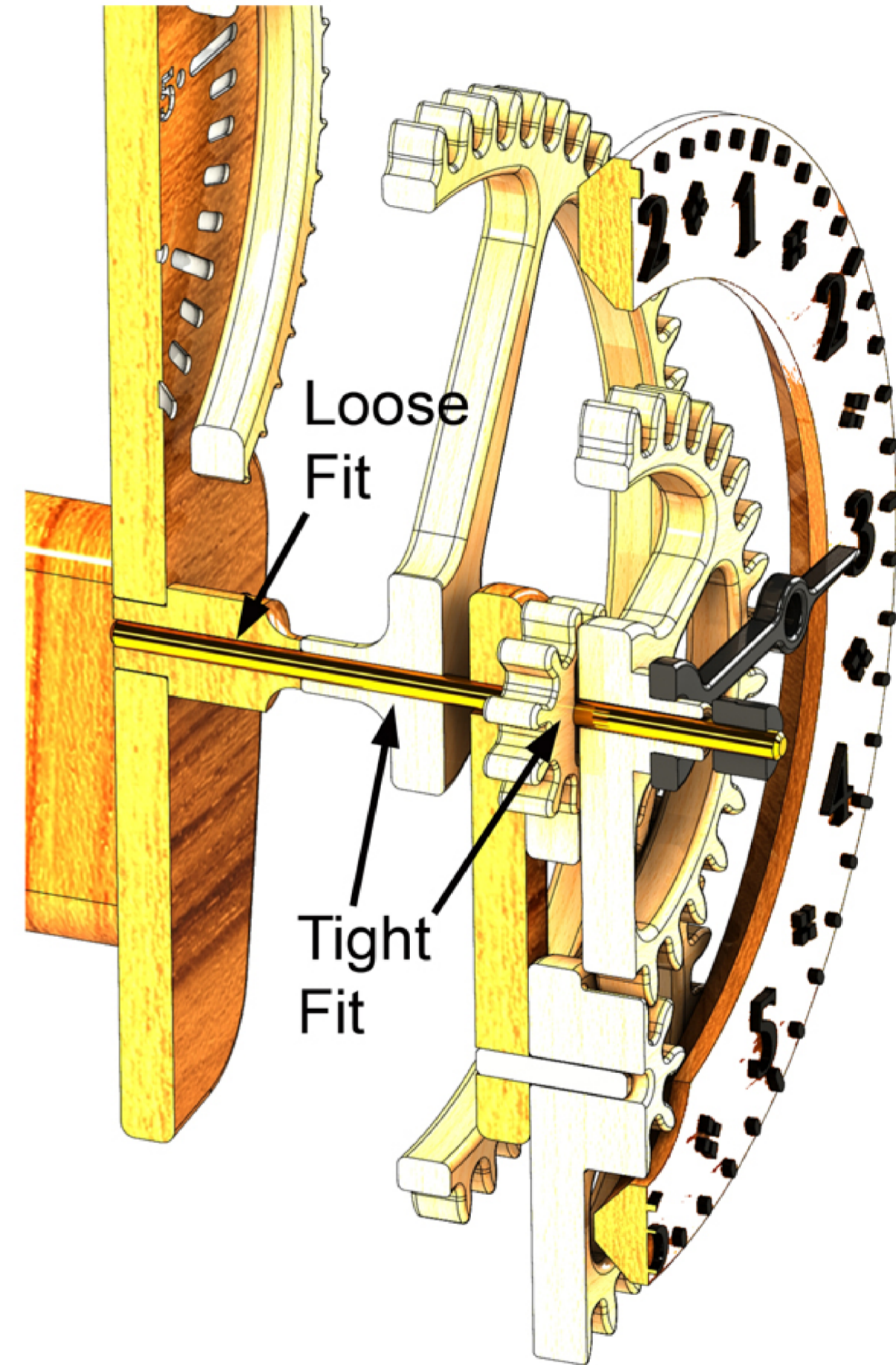
Tight fit
in Bore



Section Through
Drive gear

Loose
Fit

Tight
Fit



Section Through
iMinute Shaft

Clock 55 Bearing and Shaft Fits

Sht 7 of 7 Shts A2

Clock 55 - Pendulum Driven Clock

Not to Scale
Unless otherwise stated

All dimensions in mm and (inches)
3rd Angle projection

Designed by: Brian Iaw
February 2024 www.woodenclocks.co.uk